

**COUNTY OF SAN MATEO  
PLANNING AND BUILDING DEPARTMENT**

**DATE:** November 19, 2015

**TO:** Zoning Hearing Officer

**FROM:** Planning Staff

**SUBJECT:** Consideration of a Use Permit, pursuant to Sections 6500 and 6510 of the San Mateo County Zoning Regulations, to allow the installation of a wireless telecommunications facility on a new utility pole in the R-1/S-10 Zoning District and consideration of a Mitigated Negative Declaration, pursuant to the California Environmental Quality Act. The project is located in the public right-of-way in front of 170 Cuesta Real in the unincorporated La Honda area of San Mateo County.

County File Number: PLN 2014-00396 (Extenet/PG&E)

**PROPOSAL**

The applicant, Extenet, proposes to install a new wireless telecommunications facility. It would provide service to AT&T customers. The facility would consist of two antennas and three equipment clusters on a replacement PG&E utility pole. The new utility pole (38'-6" tall) would replace an existing utility pole (34'-0" tall) in the same location as the existing pole. The two panel antennas would be mounted at the top of the utility pole. The highest point of the antennas would be 36'-0" above ground level. The facility also includes three equipment clusters mounted to the new pole between 7'-6" and 15'-9" above the ground, and a cable connecting the antennas to the equipment boxes.

The project has been revised since the last public hearing. The peak height of the antennas has been reduced to conform to the Zoning Regulations maximum height for wireless telecommunications facilities. This reduction allowed a reduction in the proposed height of the replacement utility pole.

**RECOMMENDATION**

Certify the Mitigated Negative Declaration and approve the Use Permit, County File Number PLN 2014-00396, by making the required findings and adopting the conditions of approval listed in Attachment A.

**BACKGROUND**

Report Prepared By: Steven Rosen, Project Planner, 650/363-1814

Applicant: Extenet

Land Owner: Public Right-of-Way (San Mateo County Department of Public Works)

Pole Owner: Pacific Gas and Electric

Location: Public right-of-way in front of 170 Cuesta Real

APN: None (Public Right-of-Way in front of 083-034-100)

Sphere-of-Influence: None

Existing Land Use: Utility pole in the public right-of-way

General Plan Designation: Low Density Residential

Zone: R-1/S-10 (Single-Family Residential/Minimum Lot Size 20,000 Square Feet)

Flood Zone: Zone X (area of minimal flood risk); FEMA Panel No. 06081C 0384E; effective October, 2012

Environmental Evaluation: The project could pose impacts to the environment that are significant unless mitigated. The Planning Department has prepared a Mitigated Negative Declaration (MND) pursuant to the California Environmental Quality Act.

Setting: The project site is located in the public right-of-way of Cuesta Real in front of 170 Cuesta Real, approximately 225 feet north of the three-way intersection at which Cuesta Real diverges into two. The site is surrounded by single-family residences within the same zoning district. The site is in the Highway 84 County Scenic Corridor, but is not visible from Highway 84.

Public Hearing Background: This project was heard by the Zoning Hearing Officer on March 19, 2015, and on April 16, 2015. In April, the hearing was continued to a date uncertain to allow the applicant and Planning Department to address issues raised.

The Planning Department recommended approval of the use permit based on Section 6405 of the Zoning Regulations, which allows, upon the securing of a use permit, towers, radio towers, television towers, and similar structures and necessary mechanical appurtenances may be built and used to a greater height than the limit established for the district in which the building or structure is located. This was in error. The Wireless Telecommunication Facilities Chapter's Section 6512.2.I supersedes Section 6405 when regarding this type of transmission infrastructure.

The April 16, 2015 hearing also raised the question of whether the alternative sites analysis required by Section 6512.2.B was adequate. It was determined to be inadequate.

As a result, the applicant redesigned the project to conform to the maximum height for the zoning district and completed a study of the feasibility of co-locating the facility on

other broadcasting structures, and to address public comments received at the hearing (see Section C in the discussion below).

## **DISCUSSION**

### **A. KEY ISSUES**

#### **1. Conformity with the General Plan**

Staff has reviewed the project for conformity with the visual quality policies contained in the General Plan and has determined that the project is in conformity. The policies applicable to this project include the following:

#### **Chapter 1 - Vegetative, Water, Fish, and Wildlife Resources**

This proposal generally implements the policies of this chapter by limiting development to an existing site, reducing the disturbance of soil to untouched areas, not encroaching on any undeveloped wildlife habitat or natural vegetation.

Policy 1.22 (*Regulate Development to Protect Vegetative, Water, Fish and Wildlife Resources*) directs the County to regulate land uses and development activities to prevent, and if infeasible mitigate to the extent possible, significant adverse impacts on vegetative, water, fish and wildlife resources. This project is designed such that it would minimize its impact on these resources and includes measures to mitigate potential impacts to bats and migratory birds to a less than significant level. (See Mitigation Measures 2 through 14, Attachment A.)

Policy 1.24 (*Protect Vegetative Resources*) directs the County to ensure that development will: (1) minimize the removal of vegetative resources; and/or (2) protect vegetation which enhances microclimate, stabilizes slopes or reduces surface water runoff, erosion or sedimentation; and/or (3) protect historic and scenic trees. This project minimizes removal of vegetative resources by being located in the same place as existing development. The proposal is to install a new facility atop a new utility pole that would be installed in the same location as an existing utility pole that would be removed.

#### **Chapter 2 - Soil Resources**

Policy 2.17 (*Regulate Development to Minimize Soil Erosion and Sedimentation*) directs the County to regulate development to minimize soil erosion and sedimentation; including, but not limited to, measures which consider the effects of slope, minimize removal of vegetative cover, ensure stabilization of disturbed areas and protect and enhance natural plant communities, and nesting and feeding areas of fish and wildlife. The project

minimizes erosion and sedimentation by installing the new facility in the hole created by the removal of the existing utility pole.

#### Chapter 4 - Visual Quality

Policy 4.20 (*Utility Structures*) requires minimizing adverse visual impacts generated by utility structures.

The cellular facility would be located on a new 38'-6" wooden utility pole that is 4'-6" taller than the existing 34'-0" wooden utility pole. The pole will be of the same material as the existing pole and the other poles in the neighborhood. The antennas would be located near the top of the pole. The antenna bottoms would be 31'-0" above ground level. The tops would be 36'-0" above ground level. The equipment will be minimized to three clusters mounted directly to the pole. One cluster is 1.5 cubic feet in size, one is 2.7 cubic feet in size, and one is 2.3 cubic feet in size. The clusters include the power meter, breaker box, and mobile phone radio electronics. These clusters are similar in scale and appearance to electric power transformers and other equipment that is typically found on utility poles. The impacts are limited to the antennas mounted near the top of the pole—out of the field of view of road users—and the small clusters of equipment mounted to the pole. The visual impacts are minimal.

The proposal would minimize the impact of improving the mobile phone network in the area by not increasing the number of utility structures. A typical cellular phone facility entails building a freestanding tower and installing large, wardrobe-size equipment cabinets on the ground nearby, typically on a pad surrounded by a chain-link fence. Antennas mounted on existing poles sometimes still require these large cabinets. The visual impact of this proposal is significantly less than these typical facilities.

Policy 4.51 (*Colors and Materials*) directs the County to require use of colors and materials which: (1) blend with or complement the surrounding natural environment, (2) do not dominate or overpower the site, (3) are compatible with the size, scale, and architectural style of the structure, and (4) with the exception of greenhouses, are not highly reflective. Condition of Approval No. 7 requires that the antennas be painted non-reflective gray to blend into the sky in all conditions and requires the boxes to be painted with non-reflective paint to match the proposed wooden pole.

Policy 4.52 (*Height*) directs the County to limit the height of structures or appurtenances in forested areas so as not to exceed the height of the forest canopy. The proposed facility is in a hardwood forest area, is adjacent to the canopy of a mature oak tree, and is surrounded by many others at a greater distance. Photosimulations submitted by the applicant indicate that the proposed facility will be shorter than these trees.

Policy 4.58 (*Views*) directs the County, to the extent practicable, to locate development in scenic corridors so it does not obstruct views from scenic roads or disrupt the visual harmony of the natural landscape. The proposed facility is located where it could not be seen from the highway and is a minimal change to the appearance of the existing utility line.

Policy 4.64 (*Utilities in County Scenic Corridors*) directs the County to require that new distribution lines be installed underground. This project will not entail the installation of any new distribution lines.

#### Man-Made Hazards Element

Policy 16.4 (*Noise Reduction Priority*) directs the County to give priority to reducing noise at the source rather than at the receiver, recognizing that it is less expensive and more equitable to build noise mitigation into the source than providing for it along the path and at the receiver. This project uses a battery for its backup power source instead of a generator. Mitigation Measure No. 15 controls construction noise.

#### Air Quality Element

Policy 17.15 (*Reduce Air Pollutants, Odors, and Dust from Stationary Sources by Regulating Land Use Development*) directs the County to require that all demolition, grading, and construction projects conform to applicable Bay Area Air Quality Management District (BAAQMD) recommended dust control measures. Mitigation Measure No. 1 requires these measures.

### 2. Conformity with Zoning Regulations

The proposed project is in the R-1/S-10 Zoning District. The zoning district standards, with exception of height, are not applicable since the site is located within the Cuesta Real public right-of-way. The maximum height allowed for wireless telecommunications facilities in this area is 36'-0". The proposed height is 36'-0". The Zoning Regulations do not regulate the height of utility transmission poles.

### 3. Compliance with Wireless Telecommunication Facilities (WTF) Ordinance

#### a. Development and Design Standards

Section 6512.2 of the WTF Ordinance discusses location, minimizing visual impacts, maximum height, and future co-location of wireless facilities.

**Section 6512.2.A states that new wireless telecommunications facilities shall be prohibited in a Sensitive Habitat, as defined by**

**Policy 1.8 of the General Plan (*Definition of Sensitive Habitats*)  
for facilities proposed outside of the Coastal Zone...**

The project is not located in a sensitive habitat, as determined by the biological assessment prepared for the project.

**Section 6512.2.B discourages location in residential zones, unless it is shown that no other alternative sites within 2.5 miles of the proposed location would adequately serve the same purpose.**

The site is in the public right-of-way in the R-1/S-10 Zoning District. Due to the topography and the technology used, the facility must be located in this area to provide adequate reception for the system in the La Honda area. The applicant located the only alternative site within 2.5 miles, an antenna farm with a monopine at 155 Sears Ranch Road. The applicant provided coverage maps showing the current gaps in reception, the coverage that would be provided by this facility, and the coverage that would be provided by the other facility. The applicant determined that the Sears Road facility would not adequately serve its customers. See Attachment F.

**Section 6512.2.C requires that co-location be investigated as an alternative to a new facility.**

See discussion in Section 6512.2.B.

**Section 6512.2.D states that new facilities should be constructed to support co-location.**

Pacific Gas and Electric (PG&E) owns the utility pole. Any future co-location requires approval by PG&E and also design and feasibility consideration given the location of the proposed Extenet site. The facility does not prevent additional future co-location activities.

**Section 6512.2.E states that adverse visual impacts should be limited through: (1) siting out of public view, (2) use of existing and new vegetation, (3) preventing excessive height, (4) screening using non-invasive or native plant material, (5) painting the equipment to blend with existing landscaping, and (6) design the site to blend with the surrounding environment.**

The proposed facility would meet these regulations. The facility would be installed at the top of a utility pole, located in a public right-of-way, near existing mature trees. The new pole and facility would be taller than the existing pole, but not excessively so. There would be no ground-level machinery or equipment to screen, and nearby mature trees would remain to provide some amelioration of the appearance.

The project would ultimately blend into its environment as other utility poles do, having much the same appearance as the others in the neighborhood.

**Section 6512.2.F requires paint color to be used to minimize visual impact of the WTF and to blend with the surrounding environment.**

Condition of Approval No. 6 requires the applicant to paint the proposed antennas non-reflective gray to blend with the sky and equipment cabinets a non-reflective color to match the utility pole.

**Section 6512.2.G requires that the WTF shall be constructed of non-reflective materials.**

See discussion in Section 6512.2.F.

**Section 6512.2.H requires that the WTF shall comply with all the requirements of the underlying zoning district's setbacks.**

The facility would be located in the same place as an existing utility pole in the public right-of-way and is not subject to the S-10 development standards regarding setbacks.

**Section 6512.2.I.2 establishes a maximum height for wireless telecommunications facilities in Residential (R) districts.**

The maximum height in the R-1/S-10 district is 36 feet. The highest point of this facility is 36 feet above the ground.

b. Performance Standards for New Wireless Telecommunication Facilities

The proposed facility meets the required standards of Section 6512.2. The facility will not have any lighting, will draw power from the utility line on which it is located, uses a sound-free battery for backup power, and will not require a grading permit. All performance standards are made conditions of approval for this use permit. (See Conditions of Approval Nos. 10-19.)

4. Compliance with Use Permit Findings

For the use permit to be approved by the Zoning Hearing Officer, the following findings must be made:

a. **That the establishment, maintenance and/or conducting of the use will not, under the circumstances of this particular case, be**

**detrimental to the public welfare or injurious to property or improvements in said neighborhood.**

Cellular communications facility proposals, such as this project, require the submittal and review of radio frequency (RF) reports to ensure that the RF emissions from the proposed antennas do not exceed the Federal Communications Commission public exposure limits. The applicant submitted a radio frequency radiation report.

For a person anywhere at ground, the maximum RF exposure level due to the proposed Extenet operation is calculated to be 0.0040 mW/cm<sup>2</sup>, which is 0.75% of the applicable public exposure limit. The maximum calculated level at the second-floor elevation of the nearby residence is 1.6% of the public exposure limit. It should be noted that these results include several “worst-case” assumptions and therefore are expected to overstate actual power density levels from the proposed operation.

**b. That this telecommunications facility is necessary for the public health, safety, convenience or welfare of the community.**

Staff has determined that installing a cellular facility at this location is necessary to allow for increased clarity, range, and capacity of the existing cellular network and will enhance services for the public.

**B. ENVIRONMENTAL REVIEW**

An Initial Study was completed and a Mitigated Negative Declaration issued in conformance with CEQA Guidelines (see Attachment E). The public review period for this document was February 5, 2015, through March 6, 2015. Mitigation measures have been included as Conditions of Approval Nos. 20-34 in Attachment A.

**C. PUBLIC COMMENTS**

The Planning Department and Zoning Hearing Officer received comments about this project in conjunction with the hearings held on March 19, 2015, and April 16, 2015.

*VISUAL IMPACTS*

Hearing attendees stated that the facility would mar views within and of the area.

**Staff Response:** The Planning Department reviewed the proposal’s impact on the area’s viewsheds and believes the project would not be detrimental. The applicant prepared photosimulations that are attached to the staff report and show the effect of the proposal. There is already a utility pole at the project site. Upon review of the photosimulations, staff concluded that the proposed facility does not



represent a significant visual impact due to its relative size and position on the utility pole. There are many utility poles in the area, and, while this facility would be taller than most, it would be a single pole with a narrow antenna cluster atop it and a small cluster of boxes between 7 feet and 16 feet above the ground. The impact of this replacement of an existing pole with a new, taller pole would be minimal.

### *PUBLIC NOTIFICATION*

Hearing attendees commented that the public noticing for the hearing was inadequate. Meeting attendees explained that many notices were addressed to houses instead of post office boxes, and that in La Honda, the US Postal Service does not deliver to houses. They also said that they did not have enough time to examine the file. The Planning Department also delivered a copy of the Mitigated Negative Declaration directly to the occupant of the dwelling adjacent to the site.

**Staff Response:** To ensure that all interested parties would have adequate time to review the project file, the Planning Department sent a notice on March 19, 2015, to all owners of lots located within 300 feet of the project site, using the address list used by the Office of the Treasurer to mail tax bills. That day, the Planning Department contacted the Treasurer's staff to find whether another set of mailing addresses were available. The staff in that office informed the Planning Department that no other addresses are available.

A second round of notices was mailed by the Zoning Hearing Officer Secretary to the addresses on file ten days prior to this hearing, and were hand delivered to those addresses on the list that are physical locations in La Honda.

For this public hearing, the Planning Department used its standard notification practice of mailing to the addresses to which tax bills are sent only.

### *CELLULAR SERVICE IN AREA*

Hearing attendees informed the Zoning Hearing Officer that the cellular telephone companies Verizon and Sprint already provide adequate service in the area, and therefore, these facilities for an additional company are not necessary. Meeting attendees also asked why co-location on other wireless telecommunications facilities was not possible.

**Staff Response:** The County government may not base its decision on whether other companies already provide adequate service to an area. The applicant located the only alternative site within 2.5 miles, an antenna farm with a monopine at 155 Sears Ranch Road. The applicant provided coverage maps showing the current gaps in reception, the coverage that would be provided by this facility, and the coverage that would be provided by the other facility. The applicant determined that the Sears Road facility would not adequately serve its customers.

## *RADIO FREQUENCY RADIATION*

Hearing attendees were concerned about radio frequency radiation.

**Staff Response:** The applicant submitted a report prepared by a professional engineer with the application detailing that the project would not exceed Federal Communications Commission (FCC) limits for public or occupational exposure. Planning staff does not have any reason to doubt the accuracy of such reports prepared by licensed professionals. This report is available for review at the Planning Department.

### D. REVIEWING AGENCIES

Building Inspection Section  
Cal-Fire  
California Department of Fish and Wildlife  
Department of Public Works  
Geotechnical Staff

### ATTACHMENTS

- A. Recommended Findings and Conditions of Approval
- B. Vicinity Map
- C. Site Plan and Elevations
- D. Photosimulations
- E. Initial Study/Mitigated Negative Declaration
- F. Alternative Sites Analysis

SBR:fc – SBRZ0722\_WFU.DOCX

County of San Mateo  
Planning and Building Department

**RECOMMENDED FINDINGS AND CONDITIONS OF APPROVAL**

Permit or Project File Number: PLN 2014-00396      Hearing Date: November 19, 2015

Prepared By: Steven Rosen  
Project Planner

For Adoption By: Zoning Hearing Officer

**RECOMMENDED FINDINGS**

Regarding the Mitigated Negative Declaration, Find:

1. That the Mitigated Negative Declaration reflects the independent judgment of San Mateo County.
2. That the Mitigated Negative Declaration is complete, correct, and adequate and prepared in accordance with the California Environmental Quality Act (CEQA) and applicable State and County Guidelines.
3. That, on the basis of the Initial Study, comments received hereto, and testimony presented and considered at the public hearing, there is no substantial evidence that the project will have a significant effect on the environment.
4. That the mitigation measures identified in the Mitigated Negative Declaration and agreed to by the owner and placed as conditions on the project are in conformance with the California Public Resources Code Section 21081.6.
5. That the mitigation measures identified in the Mitigated Negative Declaration, agreed to by the applicant, placed as conditions of approval, and identified as part of this public hearing, have been incorporated into the Mitigation Monitoring and Reporting Plan in conformance with California Public Resources Code Section 21081.6.

Regarding the Use Permit, Find:

6. That the establishment, maintenance and/or conducting of the use will not, under the circumstances of this particular case, be detrimental to the public welfare or injurious to the property or improvements in said neighborhood because the project will meet the current Federal Communications Commission (FCC) standards as shown in the radio frequency radiation report and has been conditioned to maintain a valid FCC and California Public Utilities Commission

(CPUC) license and in that it will minimally affect the appearance of the area by being located on a utility pole in an existing utility line.

7. That this telecommunications facility is necessary for the public health, safety, convenience or welfare of the community in that installing a cellular facility at this location would allow for increased clarity, range, and capacity of the existing cellular network and will enhance services for the public.

## **RECOMMENDED CONDITIONS OF APPROVAL**

### Current Planning Section

1. This approval applies only to the proposal, documents and plans described in this report and submitted to and approved by the Zoning Hearing Officer on November 19, 2015. Minor revisions or modifications may be approved by the Community Development Director if they are consistent with the intent of and in substantial conformance with this approval.
2. This use permit shall be for the proposed project only. Any change or intensity in use shall require an amendment to the use permit. Amendment to this use permit requires an application for amendment, payment of applicable fees, and consideration at a public hearing.
3. The wireless telecommunications facility and all equipment associated with it shall be removed in its entirety by the applicant within ninety (90) days if the FCC and/or CPUC license and registration are revoked or the facility is abandoned or no longer needed, and the site shall be restored and revegetated to blend with the surrounding area. The owner and/or operator of the wireless telecommunications facility shall notify the County Planning Department upon abandonment of the facility. Restoration and revegetation shall be completed within two (2) months of the removal of the facility.
4. This permit shall be valid for ten (10) years until November 19, 2025. If the applicant seeks to renew this permit, renewal shall be applied for six (6) months prior to expiration with the Planning and Building Department and shall be accompanied by the renewal application and fee applicable at that time. Renewal of this permit shall be considered at a public hearing.
5. The applicant shall file, receive, and maintain all necessary licenses and registrations from the Federal Communications Commission (FCC), the California Public Utilities Commission (CPUC) and any other applicable regulatory bodies prior to initiating the operation of the wireless telecommunications facility. The applicant shall supply the Planning and Building Department with evidence of these licenses and registrations. If any required license is ever revoked, the applicant shall inform the Planning and Building Department of the revocation within ten (10) days of receiving notice of such revocation.

6. The applicant shall paint the proposed antennas non-reflective gray to blend with the sky and equipment cabinets shall be painted a non-reflective color to match the utility pole. Two copies of color samples shall be submitted to the Current Planning Section at the time of application for a building permit. Color verification will be confirmed by the Current Planning Section prior to a final inspection for the building permit.
7. During project construction, the applicant shall, pursuant to Chapter 4.100 of the San Mateo County Ordinance Code, minimize the transport and discharge of stormwater runoff from the construction site into storm drain systems by:
  - a. Stabilizing all denuded areas and maintaining erosion control measures continuously between October 1 and April 30. Stabilizing shall include both proactive measures, such as the placement of hay bales or coir netting, and passive measures, such as revegetating disturbed areas with plants propagated from seed collected in the immediate area.
  - b. Storing, handling, and disposing of construction materials and wastes properly, so as to prevent their contact with stormwater.
  - c. Controlling and preventing the discharge of all potential pollutants, including pavement cutting wastes, paints, concrete, petroleum products, chemicals, wash water or sediments, and non-stormwater discharges to storm drains and watercourses.
  - d. Avoiding cleaning, fueling, or maintaining vehicles on-site, except in a designated area where wash water is contained and treated.
  - e. Delineating with field markers clearing limits, easements, setbacks, sensitive or critical areas, buffer zones, trees, and drainage courses.
  - f. Protecting adjacent properties and undisturbed areas from construction impacts using vegetative buffer strips, sediment barriers or filters, dikes, mulching, or other measures as appropriate.
  - g. Performing clearing and earth-moving activities only during dry weather.
  - h. Limiting and timing application of pesticides and fertilizers to prevent polluted runoff.
  - i. Limiting construction access routes and stabilizing designated access points.
  - j. Avoiding tracking dirt or other materials off-site; cleaning off-site paved areas and sidewalks using dry sweeping methods.
  - k. The contractor shall train and provide instruction to all employees and subcontractors regarding the construction best management practices.

8. The applicant shall obtain a building permit and build in accordance with the approved plans.
9. This permit does not allow for the removal of any trees. Any tree removal will require a separate permitting process.
10. The wireless telecommunications facility shall not be lighted or marked unless required by the Federal Communications Commission (FCC) or the Federal Aviation Administration (FAA).
11. The applicant shall file, receive and maintain all necessary licenses and registrations from the Federal Communications Commission (FCC), the California Public Utilities Commission (CPUC) and any other applicable regulatory bodies prior to initiating the operation of the co-location facility. The applicant shall supply the Planning and Building Department with evidence of each of these licenses and registrations. If any required license is ever revoked, the applicant shall inform the Planning and Building Department of the revocation within ten (10) days of receiving notice of such revocation.
12. Once a use permit is obtained, the applicant shall obtain a building permit and build in accordance with the approved plans.
13. The project's final inspection approval shall be dependent upon the applicant obtaining a permanent and operable power connection from the applicable energy provider.
14. The wireless telecommunication facility and all equipment associated with it shall be removed in its entirety by the applicant within 90 days if the FCC and/or CPUC license and registration are revoked or the facility is abandoned or no longer needed, and the site shall be restored and revegetated to blend with the surrounding area. The owner and/or operator of the wireless telecommunication facility shall notify the County Planning Department upon abandonment of the facility. Restoration and revegetation shall be completed within two (2) months of the removal of the facility.
15. Wireless telecommunications facilities shall be maintained by the permittee(s) and subsequent owners in a manner that implements visual resource protection requirements of Section 6512.2.E, and F above (e.g., landscape maintenance and painting), as well as all other applicable zoning standards and permit conditions.
16. Road access shall be designed, constructed, and maintained over the life of the project to avoid erosion, as well as to minimize sedimentation in nearby streams.
17. All grading, construction and generator maintenance activities associated with the proposed project shall be limited from 7:00 a.m. to 6:00 p.m., Monday through Friday, and 9:00 a.m. to 5:00 p.m. on Saturday or as further restricted by the terms of the use permit. Construction activities will be prohibited on Sunday and

any nationally observed holiday. Noise levels produced by construction activities shall not exceed 80-dBA at any time.

18. The use of diesel generators or any other emergency backup energy source shall comply with the San Mateo County Noise Ordinance.
19. If technically practical and without creating any interruption in commercial service caused by electronic magnetic interference (EMI), floor space, tower space and/or rack space for equipment in a wireless telecommunication facility shall be made available to the County for public safety communication use.
20. **Mitigation Measure 1:** The applicant shall require construction contractors to implement all the Bay Area Air Quality Management District's (BAAQMD's) Basic Construction Mitigation Measures, listed below:
  - a. All exposed surfaces (e.g., parking areas, staging areas, soil piles, graded areas, and unpaved access roads) shall be watered two times per day.
  - b. All haul trucks transporting soil, sand, or other loose material off-site shall be covered.
  - c. All visible mud or dirt track-out onto adjacent public roads shall be removed using wet power vacuum street sweepers at least once per day. The use of dry power sweeping is prohibited.
  - d. All vehicle speeds on unpaved roads shall be limited to 15 mph.
  - e. All roadways, driveways, and sidewalks to be paved shall be completed as soon as possible. Building pads shall be laid as soon as possible after grading unless seeding or soil binders are used.
  - f. Idling times shall be minimized either by shutting equipment off when not in use or reducing the maximum idling time to 5 minutes (as required by the California Airborne Toxics Control Measure, Title 13, Section 2485 of California Code of Regulations [CCR]). Clear signage shall be provided for construction workers at all access points.
  - g. All construction equipment shall be maintained and properly tuned in accordance with manufacturer's specifications. All equipment shall be checked by a certified mechanic and determined to be running in proper condition prior to operation.
  - h. Post a publicly visible sign with the telephone number and person to contact at the Lead Agency regarding dust complaints. This person shall respond and take corrective action within 48 hours. The Air District's phone number shall also be visible to ensure compliance with applicable regulations.

21. **Mitigation Measure 2:** Environmental Awareness Training shall be presented to all personnel working in the field on the proposed project site. Training shall consist of a brief presentation in which biologists knowledgeable of endangered species biology and legislative protection shall explain endangered species concerns. Training shall include a discussion of special-status plants and sensitive wildlife species. Species biology, habitat needs, status under the Endangered Species Act, and measures being incorporated for the protection of these species and their habitats shall also be discussed.
22. **Mitigation Measure 3:** As close to the beginning of project activities as possible, but not more than 14 days prior, a qualified biologist shall conduct a final pre-construction survey of the proposed project site and buffer area to verify that no special-status wildlife species have become established in the project site or buffer area. A qualified biologist shall be present immediately prior to project activities that have the potential to impact sensitive species to identify and protect potentially sensitive resources.
23. **Mitigation Measure 4:** Project site boundaries shall be clearly delineated by stakes and/or flagging to minimize inadvertent degradation or loss of adjacent habitat during project operations. Staff and/or its contractors shall post signs and/or fence around the project site to restrict access of vehicles and equipment unrelated to drilling operations.
24. **Mitigation Measure 5:** If ground disturbing activities occur during the breeding season of migratory avian or raptor species (February through mid-September), surveys for active nests will be conducted by a qualified biologist no more than 10 days prior to start of activities. Pre-construction nesting surveys shall be conducted for nesting migratory avian and raptor species in the project site and buffer area. Pre-construction biological surveys shall occur prior to the proposed project implementation, and during the appropriate survey periods for nesting activities for individual avian species. Surveys will follow required California Department of Fish and Wildlife (CDFW) and United States Fish and Wildlife Service (USFWS) protocols, where applicable. A qualified biologist will survey suitable habitat for the presence of these species. If a migratory avian or raptor species is observed and suspected to be nesting, a buffer area will be established to avoid impacts to the active nest site. Identified nests should be continuously surveyed for the first 24 hours prior to any construction-related activities to establish a behavioral baseline. If no nesting avian species are found, project activities may proceed and no further mitigation measures will be required. If active nesting sites are found, the following exclusion buffers will be established, and no project activities will occur within these buffer zones until young birds have fledged and are no longer reliant upon the nest or parental care for survival.
  - a. Minimum no disturbance of 250 feet around active nest of non-listed bird species and 250-foot no disturbance buffer around migratory birds.
  - b. Minimum no disturbance of 500 feet around active nest of non-listed raptor species.



- c. Minimum 0.5-mile no disturbance buffer from listed species and fully protected species until breeding season has ended or until a qualified biologist has determined that the birds have fledged and are no longer reliant upon the nest or parental care for survival.
  - d. Once work commences, all nests should be continuously monitored to detect any behavioral changes as a result of project activities. If behavioral changes are observed, the work causing that change should cease and the appropriate regulatory agencies (i.e., CDFW, USFWS, etc.) shall be consulted for additional avoidance and minimization measures.
  - e. A variance from these no disturbance buffers may be implemented when there is compelling biological or ecological reason to do so, such as when the project area would be concealed from a nest site by topography. Any variance from these buffers is advised to be supported by a qualified wildlife biologist and is recommended that CDFW and USFWS be notified in advance of implementation of a no disturbance buffer variance.
25. **Mitigation Measure 6:** Pre-construction nesting surveys shall be conducted for special-status avian species (long-eared owl and marbled murrelet) in the project site and buffer area. Pre-construction surveys will be conducted prior to the implementation of the specific phases of the proposed project during the appropriate survey periods for each species. Surveys will follow required CDFW and USFWS protocols where applicable. A qualified biologist will survey suitable habitat for the presence of these species.

If a special-status bird species is observed and suspected or known to be nesting, an exclusion buffer area will be established to avoid impacts on the active nest site. If no nesting special-status avian species are found, project activities may proceed and no further mitigation measures will be required. If active nesting sites are found, the following exclusion buffers will be established, and no project activities will occur within these buffer zones until young birds have fledged:

#### *Long-Eared Owl*

Long-eared owls typically nest and rear young from March through May. If a long-eared owl is found to be nesting, impacts will be avoided and minimized by establishing a 200-foot buffer around active nesting sites. No project-related activities would be allowed to occur within this buffer until young have fledged or the species are no longer attempting to nest. The buffer area can be removed prior to May if a qualified biologist determines that all juveniles have fledged from occupied nests.

#### *Marbled Murrelet*

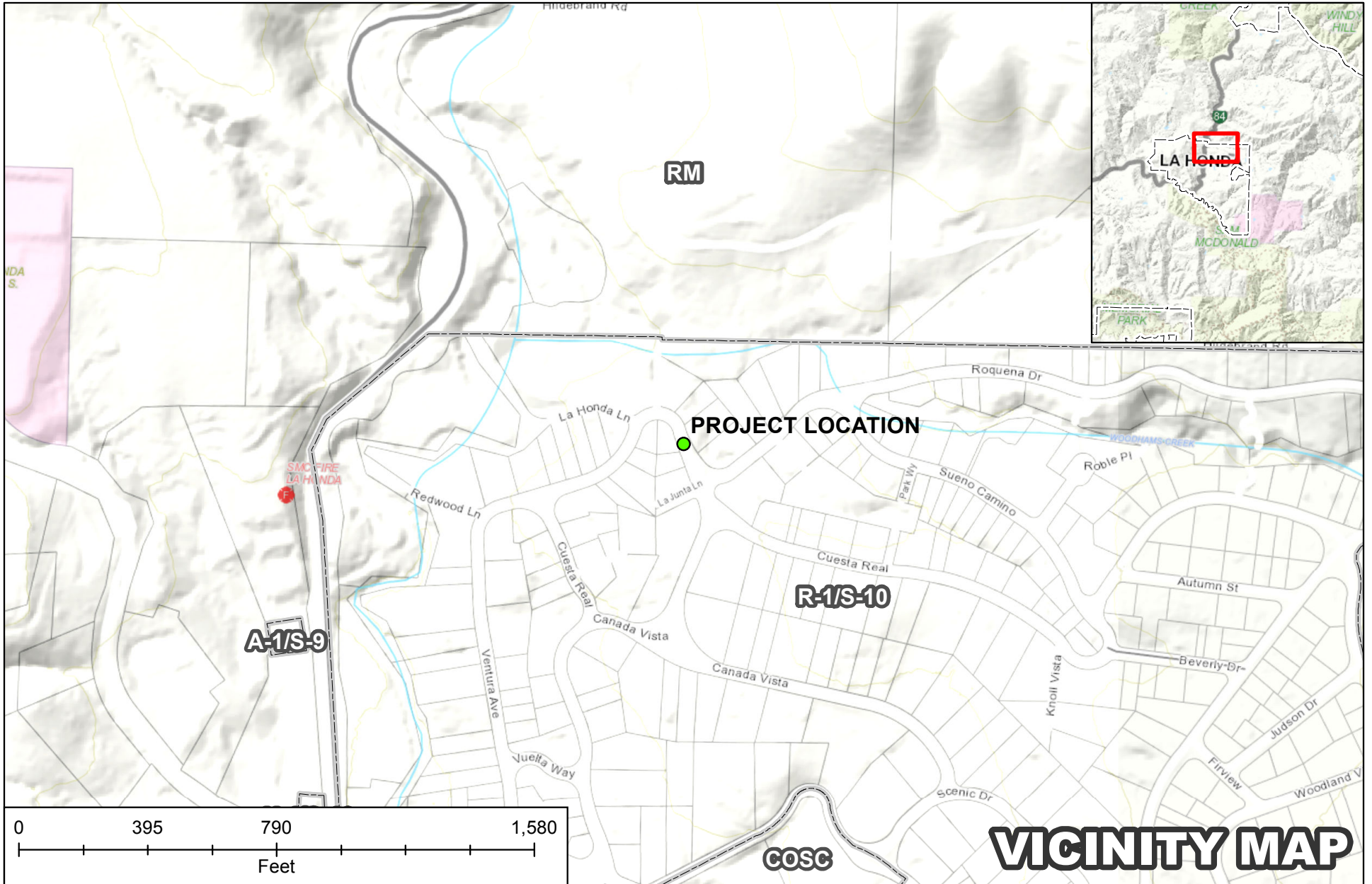
Marbled murrelets typically nest and rear young from mid-April through September. In order to avoid and minimize impacts on nesting marbled murrelets during project implementation, a 330-foot buffer will be established around active

nesting sites when project activities will occur during their breeding and nesting period. No project activities will be allowed to occur within this zone. The buffer area can be removed prior to September if a qualified biologist determines that all juveniles have fledged from occupied nests.

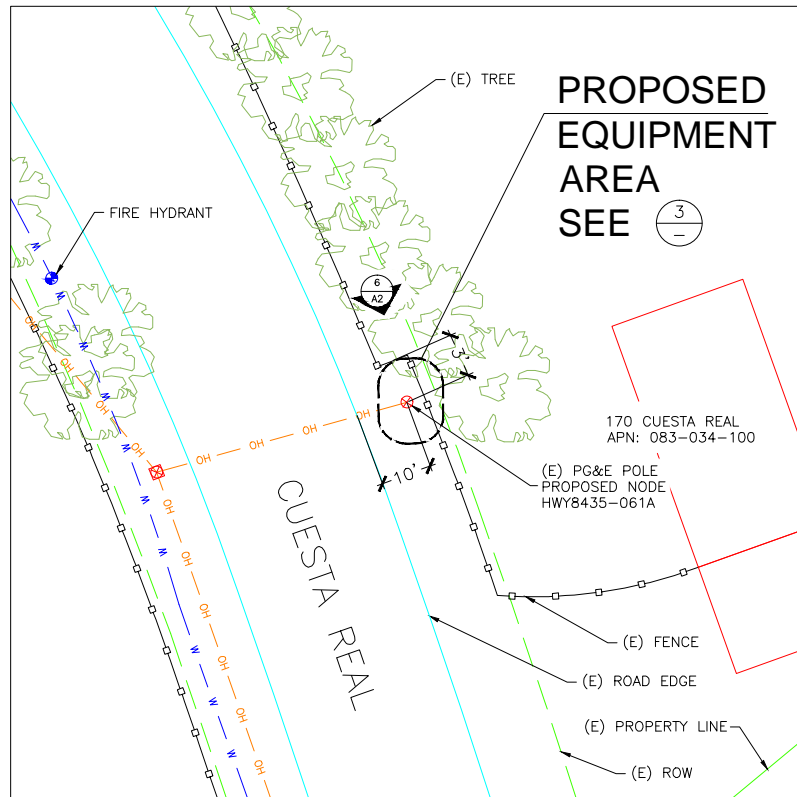
26. **Mitigation Measure 7:** Pre-activity surveys will be conducted for pallid bat and hoary bat and their maternity/roosting sites in the project buffer area. No potential maternity/roosting habitat was observed within the proposed project site. If a bat maternity/roosting site is identified during these surveys or suspected to be present, a buffer area will be established to avoid impacts on the burrow/maternity site, and subsequently the bat species. The following exclusion zone will apply: 300 feet for known or potential maternity/roosting site.
27. **Mitigation Measure 8:** A project representative shall establish restrictions on project-related traffic to approved project areas, storage areas, staging and parking areas via signage. Off-road traffic outside of the designated project site shall be prohibited.
28. **Mitigation Measure 9:** Project-related traffic shall observe a 15 mph speed limit in the project site except on County roads and State and Federal highways to avoid impacts to special-status and common wildlife species.
29. **Mitigation Measure 10:** Hazardous materials, fuels, lubricants, and solvents that spill accidentally during project-related activities shall be cleaned up and removed from the project as soon as possible according to applicable Federal, State and local regulations.
30. **Mitigation Measure 11:** All equipment storage and parking during site development and operation shall be confined to the proposed project site or other off-site previously disturbed areas.
31. **Mitigation Measure 12:** All excavated steep-walled holes or trenches in excess of three (3) feet in depth shall be provided with one or more escape ramps constructed of earth fill to prevent entrapment of endangered species or other animals. Ramps shall not be less than 45-degree angles. Trenches shall be inspected for entrapped wildlife each morning prior to onset of project activities and immediately prior to the end of each working day. Before such holes or trenches are filled, they shall be inspected thoroughly for entrapped animals. Any animals discovered shall be allowed to escape voluntarily without harassment before project activities related to the trench resume, or removed from the trench or hole by a qualified biologist and allowed to escape unimpeded.
32. **Mitigation Measure 13:** All food-related trash items such as wrappers, cans, bottles or food scraps generated during project activities shall be disposed of only in closed containers and regularly removed from the proposed project site. Food items may attract wildlife species onto the proposed project site, consequently exposing such animals to increased risk of injury or mortality. No deliberate feeding of wildlife shall be allowed.

33. **Mitigation Measure 14:** To prevent harassment or mortality of wildlife species via predation, or destruction of their dens or nests, no domestic pets shall be permitted on-site.
34. **Mitigation Measure 15:** Noise sources associated with demolition, construction, repair, remodeling, or grading of any real property shall be limited to the hours from 7:00 a.m. to 6:00 p.m. weekdays and 9:00 a.m. to 5:00 p.m. Saturdays. Said activities are prohibited on Sundays, Thanksgiving and Christmas (San Mateo Ordinance Code Section 4.88.360).
35. Prior to recording the Mitigated Negative Declaration Notice of Determination (NOD), the applicant shall submit to County staff the California Department of Fish and Wildlife review fee of \$2,210.00, together with the San Mateo County Recording fee of \$50.00, for a combined total (one check, payable to San Mateo County) of \$2,260.00. The NOD shall be posted, with cited fees paid, prior to Planning's approval of any project-related building permits.
36. Upon application for a building permit, the facility will be assigned an address. It shall be displayed in such a manner that the number is easily and clearly visible from either direction of travel from the street. The address sign shall be at least 6 feet above the finished surface of the driveway. Numerals shall be contrasting in color to their background and shall be no less than 4 inches in height, and have a minimum 1/2-inch stroke.
37. Maintain around and adjacent to the facility a fuelbreak/firebreak made by removing and clearing away flammable vegetation for a distance of not less than 30 feet and up to 100 feet from the facility or to the property line, if the property line is less than 30 feet from the facility. This does not allow the removal of significant or heritage trees without first obtaining a tree removal permit.

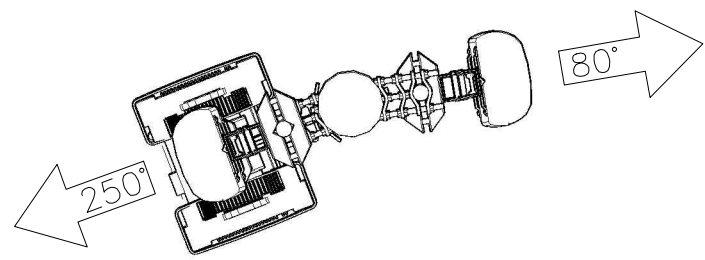
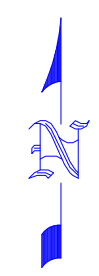
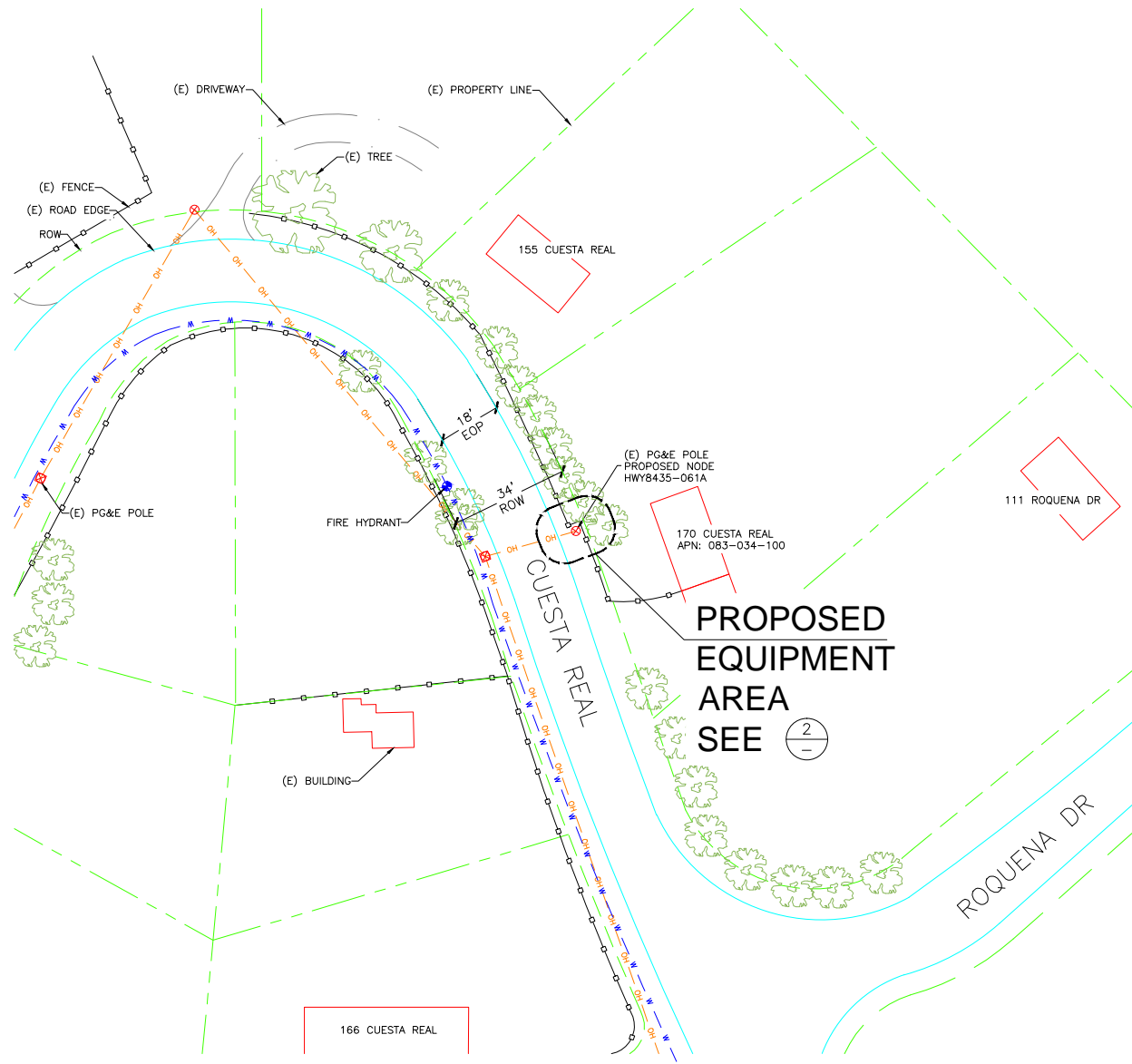
SBR:fc – SBRZ0722\_WFU.DOCX



<i>Ncbing &lt; YUf]b[ 'CZ]Wf Meeting</i>	
<b>PLN 2014-00396</b>	
Case	
<b>B</b>	
Attachment	



SITE PLAN CLOSEUP B-SCALE 1"=20'-0" D-SCALE 1"=10'-0" 2



ANTENNA AZIMUTHS B-SCALE 1/2"=1'-0" D-SCALE 1"=1'-0" 3

**Ncbing < YUf ]b[ 'CZ]Wf Meeting**

**PLN 2014-00396**

Case

**C**

Attachment

0' 5' 15' 25' 50' B-SCALE 1"=50'-0" D-SCALE 1"=25'-0" 1



3030 Warrenville Rd, Suite 340  
Lisle, IL 60532  
www.extenet.com

PROJECT INFORMATION:  
**SW-CA-LA HONDA-ATT  
DAS NETWORK  
NODE 061B**  
170 CUESTA REAL  
LA HONDA, CA 94020

CURRENT ISSUE DATE:  
**09/21/15**

ISSUED FOR:  
**PERMIT**

BY: DATE: DESCRIPTION: REV:

BY	DATE	DESCRIPTION	REV
ACI	09/21/15	ANTENNA RAD	4
ACI	07/30/15	ANTENNA RAD	3
ACI	08/28/14	ELECTRICAL REVISIONS	2
ACI	04/12/14	ANTENNA HEIGHT CHG	1
ACI	02/10/14	ZDs	0

PLANS PREPARED BY:



ACI NUMBER: HWY8435-061B

CONSULTANT:

SEAL OF APPROVAL:

SHEET TITLE:

**SITE PLAN**

SHEET NUMBER: REVISION:

**A1**

**4**

09/21/15

PROJECT INFORMATION:

**SW-CA-LA HONDA-ATT  
DAS NETWORK  
NODE 061B**  
170 CUESTA REAL  
LA HONDA, CA 94020

CURRENT ISSUE DATE:

09/21/15

ISSUED FOR:

PERMIT

BY: DATE: DESCRIPTION: REV:

BY	DATE	DESCRIPTION	REV
ACI	09/21/15	ANTENNA RAD	4
ACI	07/30/15	ANTENNA RAD	3
ACI	08/28/14	ELECTRICAL REVISIONS	2
ACI	04/12/14	ANTENNA HEIGHT CHG	1
ACI	02/10/14	ZDs	0

PLANS PREPARED BY:



ACI NUMBER: HWY8435-061B

CONSULTANT:

SEAL OF APPROVAL:

SHEET TITLE:

ELEVATIONS  
&

Ncbing <YUf> [b] CZWwf Meeting

PLN 2014-00396

Case  
**C**  
Attachment

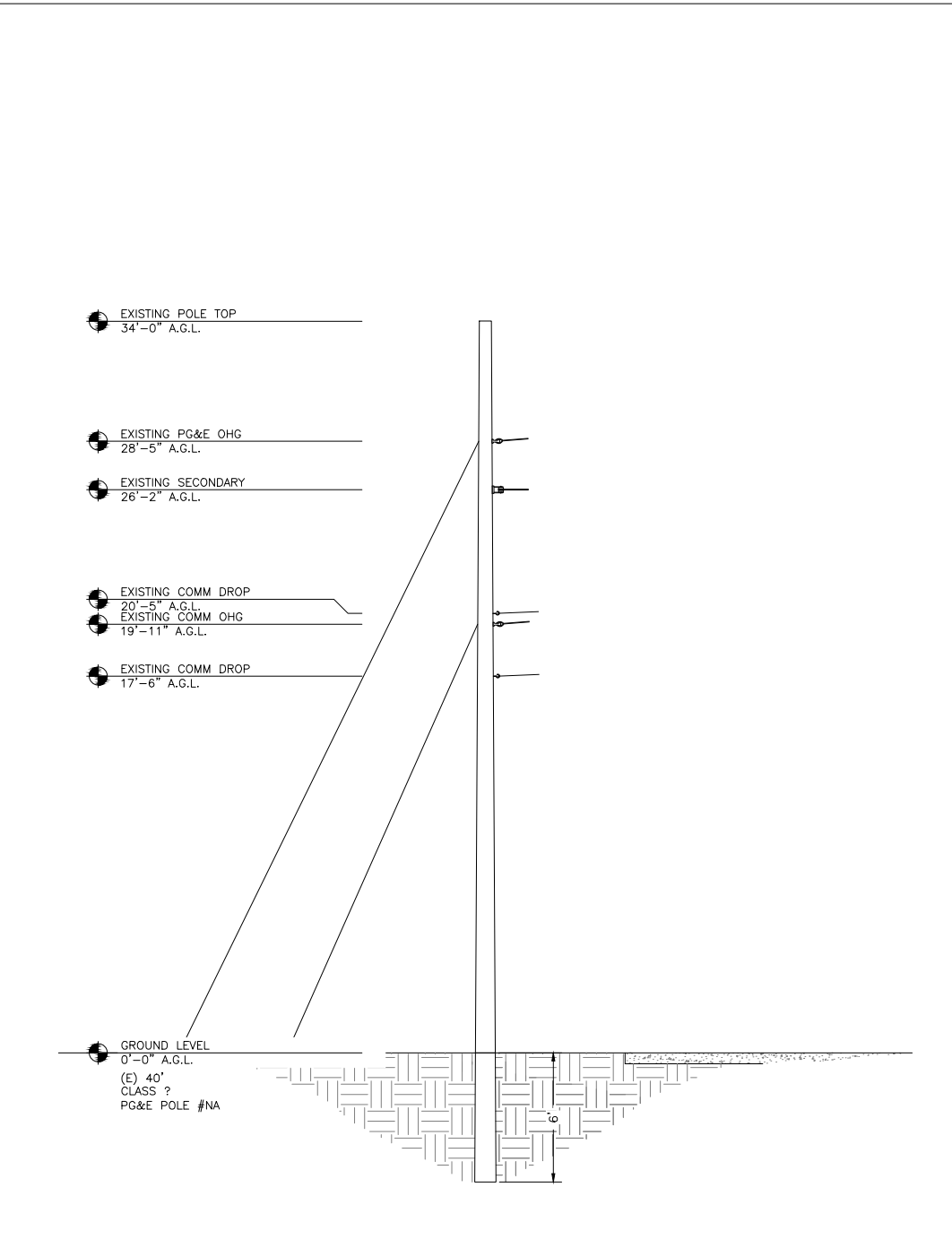
COMMUNICATIONS MAKE-READY

1. INSTALL PG&E 1" SCH 80 CONDUIT AT 7:30 POSITION FOR POWER SERVICE.
2. INSTALL 3" SCH 80 U-GUARD AT 9:00 POSITION OVER COAX.
3. INSTALL RADIOS, BBU, METER SOCKET, & SAFETY SWITCH MIN. 4" OFF OF POLE (USING UNISTRUTS) AT 6:00 POSITION.
4. INSTALL CLIMBING PEGS AT 3:00 & 12:00 POSITION, 8'-6" AGL TO COMM ZONE.

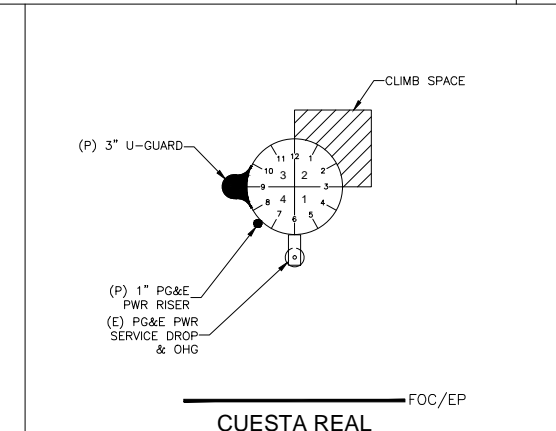
POWER MAKE-READY

1. PG&E TO REPLACE 40' CL? POLE WITH 45' CL3 POLE.
2. INSTALL (2) PANEL ANTENNAS ON POLE.
3. INSTALL COMBINERS AND (4/4) 1/2" COAX.
4. INSTALL 3" SCH 80 U-GUARD AT 9:00 POSITION OVER COAX.
5. INSTALL PG&E WEATHER HEAD AND 1" SCH 80 CONDUIT AT 7:30 POSITION FOR POWER SERVICE.
6. PROVIDE 120/240 3-WIRE SINGLE PHASE, 100 AMP SERVICE TO 1" PG&E CONDUIT AT 7:30 POSITION TO METER SOCKET FROM PWR SERVICE DROP 26'-2" AGL.

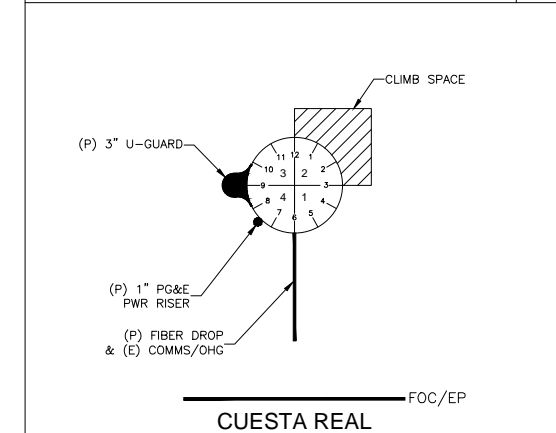
MAKE-READY NOTES



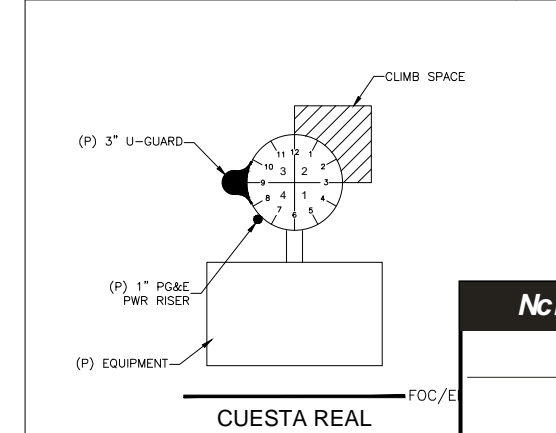
EXISTING ELEVATION NORTH



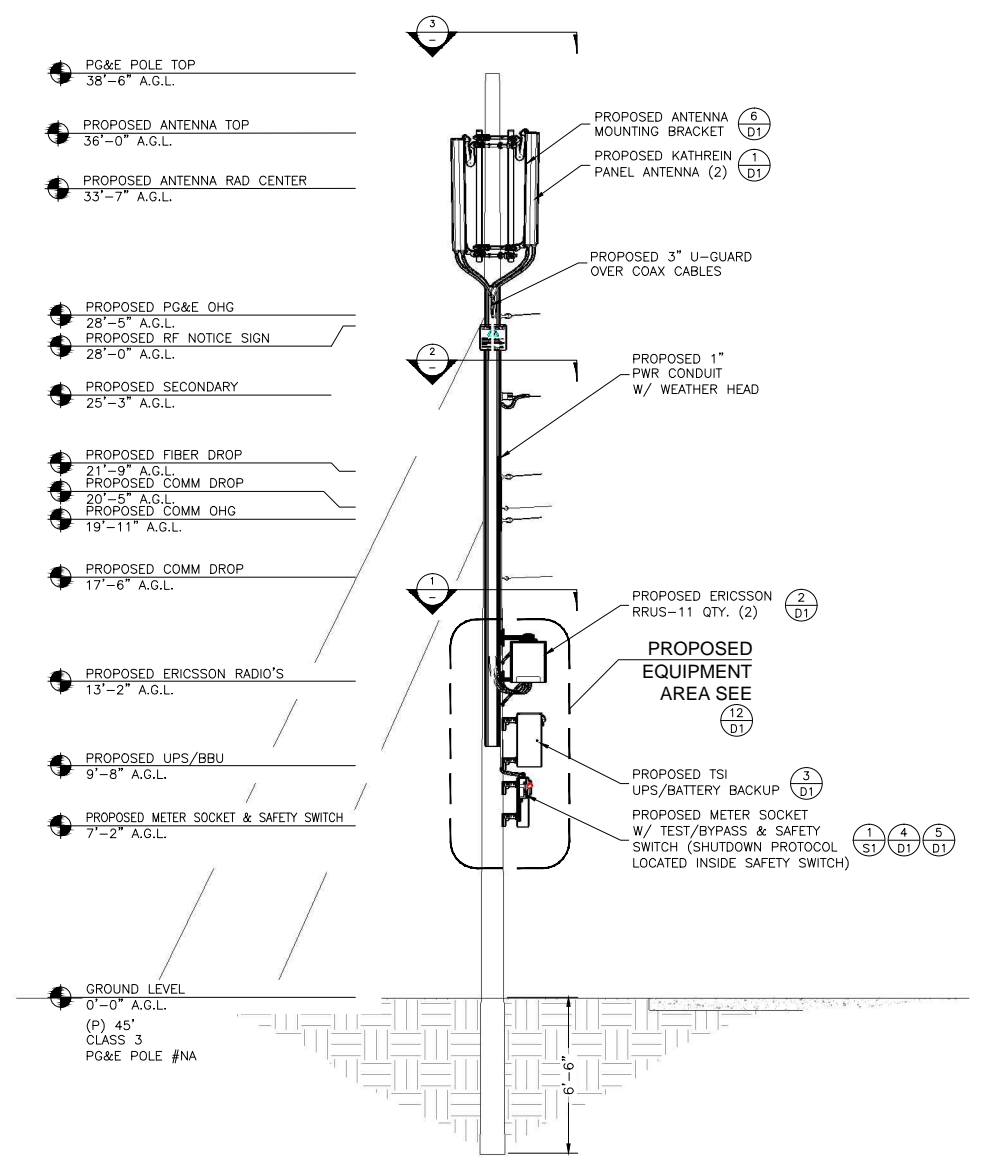
POWER SPACE PLAN VIEW



COMM. SPACE PLAN VIEW



EQUIP. SPACE PLAN VIEW



PROPOSED ELEVATION NORTH

B-SCALE 1/8"=1'-0"  
D-SCALE 1/4"=1'-0"

6

B-SCALE 1/8"=1'-0"  
D-SCALE 1/4"=1'-0"

5

*Existing*



*Proposed*



Proposed Extenet Antennas

Proposed Extenet Equipment

**Ncbing < YUfjb[ 'CZQWf Meeting**

---


**PLN 2014-00396**

Case

**D**

Attachment

*view from Cuesta Real looking northeast at site*



SW-CA-Hwy 84/35-ATT-061A  
170 Cuesta Real, La Honda, CA

COUNTY OF SAN MATEO, PLANNING AND BUILDING DEPARTMENT

**NOTICE OF INTENT TO ADOPT  
NEGATIVE DECLARATION**

A notice, pursuant to the California Environmental Quality Act of 1970, as amended (Public Resources Code 21,000, et seq.), that the following project: Extenet Wireless Facility, when adopted and implemented, will not have a significant impact on the environment.

FILE NO.: PLN 2014-00396

OWNER: Public Right-of-Way (San Mateo County Department of Public Works)

APPLICANT: Bill Stephens for Extenet

ASSESSOR'S PARCEL NO.: None

LOCATION: Public Right-of-Way in front of 170 Cuesta Real, La Honda (37°19'20.91" N, 122°16'14.43" W)

PROJECT DESCRIPTION: Application for a use permit to replace an existing 34'-0" utility pole with a 45'-10" utility pole and wireless telecommunications facility (WTF). The facility consists of two panel antennas mounted at the top of the pole, three equipment clusters mounted to the pole between 7'-6" and 15'-9" above the ground, and a cable connecting the antennas to the equipment boxes. Power cables and guy wires will be mounted at the same height as those on the existing pole. The site is within the Highway 84 County Scenic Corridor.

FINDINGS AND BASIS FOR A NEGATIVE DECLARATION

The Current Planning Section has reviewed the initial study for the project and, based upon substantial evidence in the record, finds that:

1. The project will not adversely affect water or air quality or increase noise levels substantially.
2. The project will not have adverse impacts on the flora or fauna of the area.
3. The project will not degrade the aesthetic quality of the area.
4. The project will not have adverse impacts on traffic or land use.
5. In addition, the project will not:
  - a. Create impacts which have the potential to degrade the quality of the environment.
  - b. Create impacts which achieve short-term to the disadvantage of long-term environmental goals.

<b><i>Ncbing &lt; YU]b[ 'CZ]Wf Meeting</i></b>	
<b>PLN 2014-00396</b>	
Case	
<b>E</b>	
Attachment	



- c. Create impacts for a project which are individually limited, but cumulatively considerable.
- d. Create environmental effects which will cause substantial adverse effects on human beings, either directly or indirectly.

The County of San Mateo has, therefore, determined that the environmental impact of the project is insignificant.

MITIGATION MEASURES included in the project to avoid potentially significant effects:

**Mitigation Measure 1:** The applicant shall require construction contractors to implement all the Bay Area Air Quality Management District's (BAAQMD's) Basic Construction Mitigation Measures, listed below:

- a. All exposed surfaces (e.g., parking areas, staging areas, soil piles, graded areas, and unpaved access roads) shall be watered two times per day.
- b. All haul trucks transporting soil, sand, or other loose material off-site shall be covered.
- c. All visible mud or dirt track-out onto adjacent public roads shall be removed using wet power vacuum street sweepers at least once per day. The use of dry power sweeping is prohibited.
- d. All vehicle speeds on unpaved roads shall be limited to 15 mph.
- e. All roadways, driveways, and sidewalks to be paved shall be completed as soon as possible. Building pads shall be laid as soon as possible after grading unless seeding or soil binders are used.
- f. Idling times shall be minimized either by shutting equipment off when not in use or reducing the maximum idling time to 5 minutes (as required by the California Airborne Toxics Control Measure, Title 13, Section 2485 of California Code of Regulations [CCR]). Clear signage shall be provided for construction workers at all access points.
- g. All construction equipment shall be maintained and properly tuned in accordance with manufacturer's specifications. All equipment shall be checked by a certified mechanic and determined to be running in proper condition prior to operation.
- h. Post a publicly visible sign with the telephone number and person to contact at the Lead Agency regarding dust complaints. This person shall respond and take corrective action within 48 hours. The Air District's phone number shall also be visible to ensure compliance with applicable regulations.

**Mitigation Measure 2:** Environmental Awareness Training shall be presented to all personnel working in the field on the proposed project site. Training shall consist of a brief presentation in which biologists knowledgeable of endangered species biology and legislative protection shall explain endangered species concerns. Training shall include a discussion of special-status plants and sensitive wildlife species. Species biology, habitat

needs, status under the Endangered Species Act, and measures being incorporated for the protection of these species and their habitats shall also be discussed.

**Mitigation Measure 3:** As close to the beginning of project activities as possible, but not more than 14 days prior, a qualified biologist shall conduct a final pre-construction survey of the proposed project site and buffer area to verify that no special-status wildlife species have become established in the project site or buffer area. A qualified biologist shall be present immediately prior to project activities that have the potential to impact sensitive species to identify and protect potentially sensitive resources.

**Mitigation Measure 4:** Project site boundaries shall be clearly delineated by stakes and/or flagging to minimize inadvertent degradation or loss of adjacent habitat during project operations. Staff and/or its contractors shall post signs and/or fence around the project site to restrict access of vehicles and equipment unrelated to drilling operations.

**Mitigation Measure 5:** If ground disturbing activities occur during the breeding season of migratory avian or raptor species (February through mid-September), surveys for active nests will be conducted by a qualified biologist no more than 10 days prior to start of activities. Pre-construction nesting surveys shall be conducted for nesting migratory avian and raptor species in the project site and buffer area. Pre-construction biological surveys shall occur prior to the proposed project implementation, and during the appropriate survey periods for nesting activities for individual avian species. Surveys will follow required California Department of Fish and Wildlife (CDFW) and United States Fish and Wildlife Service (USFWS) protocols, where applicable. A qualified biologist will survey suitable habitat for the presence of these species. If a migratory avian or raptor species is observed and suspected to be nesting, a buffer area will be established to avoid impacts to the active nest site. Identified nests should be continuously surveyed for the first 24 hours prior to any construction-related activities to establish a behavioral baseline. If no nesting avian species are found, project activities may proceed and no further mitigation measures will be required. If active nesting sites are found, the following exclusion buffers will be established, and no project activities will occur within these buffer zones until young birds have fledged and are no longer reliant upon the nest or parental care for survival.

- a. Minimum no disturbance of 250 feet around active nest of non-listed bird species and 250-foot no disturbance buffer around migratory birds.
- b. Minimum no disturbance of 500 feet around active nest of non-listed raptor species.
- c. Minimum 0.5-mile no disturbance buffer from listed species and fully protected species until breeding season has ended or until a qualified biologist has determined that the birds have fledged and are no longer reliant upon the nest or parental care for survival.
- d. Once work commences, all nests should be continuously monitored to detect any behavioral changes as a result of project activities. If behavioral changes are observed, the work causing that change should cease and the appropriate regulatory agencies (i.e., CDFW, USFWS, etc.) shall be consulted for additional avoidance and minimization measures.

- e. A variance from these no disturbance buffers may be implemented when there is compelling biological or ecological reason to do so, such as when the project area would be concealed from a nest site by topography. Any variance from these buffers is advised to be supported by a qualified wildlife biologist and is recommended that CDFW and USFWS be notified in advance of implementation of a no disturbance buffer variance.

**Mitigation Measure 6:** Pre-construction nesting surveys shall be conducted for special-status avian species (long-eared owl and marbled murrelet) in the project site and buffer area. Pre-construction surveys will be conducted prior to the implementation of the specific phases of the proposed project during the appropriate survey periods for each species. Surveys will follow required CDFW and USFWS protocols where applicable. A qualified biologist will survey suitable habitat for the presence of these species.

If a special-status bird species is observed and suspected or known to be nesting, an exclusion buffer area will be established to avoid impacts on the active nest site. If no nesting special-status avian species are found, project activities may proceed and no further mitigation measures will be required. If active nesting sites are found, the following exclusion buffers will be established, and no project activities will occur within these buffer zones until young birds have fledged:

#### *Long-Eared Owl*

Long-eared owls typically nest and rear young from March through May. If a long-eared owl is found to be nesting, impacts will be avoided and minimized by establishing a 200-foot buffer around active nesting sites. No project-related activities would be allowed to occur within this buffer until young have fledged or the species are no longer attempting to nest. The buffer area can be removed prior to May if a qualified biologist determines that all juveniles have fledged from occupied nests.

#### *Marbled Murrelet*

Marbled murrelets typically nest and rear young from mid-April through September. In order to avoid and minimize impacts on nesting marbled murrelets during project implementation, a 330-foot buffer will be established around active nesting sites when project activities will occur during their breeding and nesting period. No project activities will be allowed to occur within this zone. The buffer area can be removed prior to September if a qualified biologist determines that all juveniles have fledged from occupied nests.

**Mitigation Measure 7:** Pre-activity surveys will be conducted for pallid bat and hoary bat and their maternity/roosting sites in the project buffer area. No potential maternity/roosting habitat was observed within the proposed project site. If a bat maternity/roosting site is identified during these surveys or suspected to be present, a buffer area will be established to avoid impacts on the burrow/maternity site, and subsequently the bat species. The following exclusion zone will apply: 300 feet for known or potential maternity/roosting site.

**Mitigation Measure 8:** A project representative shall establish restrictions on project-related traffic to approved project areas, storage areas, staging and parking areas via signage. Off-road traffic outside of the designated project site shall be prohibited.

**Mitigation Measure 9:** Project-related traffic shall observe a 15 mph speed limit in the project site except on County roads and State and Federal highways to avoid impacts to special-status and common wildlife species.

**Mitigation Measure 10:** Hazardous materials, fuels, lubricants, and solvents that spill accidentally during project-related activities shall be cleaned up and removed from the project as soon as possible according to applicable Federal, State and local regulations.

**Mitigation Measure 11:** All equipment storage and parking during site development and operation shall be confined to the proposed project site or other off-site previously disturbed areas.

**Mitigation Measure 12:** All excavated steep-walled holes or trenches in excess of three (3) feet in depth shall be provided with one or more escape ramps constructed of earth fill to prevent entrapment of endangered species or other animals. Ramps shall not be less than 45-degree angles. Trenches shall be inspected for entrapped wildlife each morning prior to onset of project activities and immediately prior to the end of each working day. Before such holes or trenches are filled, they shall be inspected thoroughly for entrapped animals. Any animals discovered shall be allowed to escape voluntarily without harassment before project activities related to the trench resume, or removed from the trench or hole by a qualified biologist and allowed to escape unimpeded.

**Mitigation Measure 13:** All food-related trash items such as wrappers, cans, bottles or food scraps generated during project activities shall be disposed of only in closed containers and regularly removed from the proposed project site. Food items may attract wildlife species onto the proposed project site, consequently exposing such animals to increased risk of injury or mortality. No deliberate feeding of wildlife shall be allowed.

**Mitigation Measure 14:** To prevent harassment or mortality of wildlife species via predation, or destruction of their dens or nests, no domestic pets shall be permitted on-site.

**Mitigation Measure 15:** Noise levels produced by construction shall not exceed the 80-dBA level at any one moment. Construction activity shall be limited to the hours from 7:00 a.m. to 6:00 p.m., Monday through Friday, and 9:00 a.m. to 5:00 p.m. on Saturday. Construction operation shall be prohibited on Sunday and any national holiday.

#### **RESPONSIBLE AGENCY CONSULTATION**

None.

#### **INITIAL STUDY**

The San Mateo County Current Planning Section has reviewed the Environmental Evaluation of this project and has found that the probable environmental impacts are insignificant. A copy of the initial study is attached.

**REVIEW PERIOD:** February 5, 2015 – March 6, 2015

All comments regarding the correctness, completeness, or adequacy of this Negative Declaration must be received by the County Planning and Building Department, 455 County Center, Second Floor, Redwood City, no later than **5:00 p.m., March 6, 2015.**

CONTACT PERSON

Steven Rosen  
Project Planner, 650/363-1814  
[srosen@smcgov.org](mailto:srosen@smcgov.org)



---

Steven Rosen, Project Planner

SBR:fc – SBRZ0104\_WFH.DOCX

County of San Mateo  
Planning and Building Department

**INITIAL STUDY  
ENVIRONMENTAL EVALUATION CHECKLIST**  
(To Be Completed by Planning Department)

1. **Project Title:** Extenet Wireless Facility
2. **County File Number:** PLN 2014-00396
3. **Lead Agency Name and Address:** San Mateo County Planning Department, 455 County Center, Second Floor, Redwood City, CA 94063
4. **Contact Person and Phone Number:** Steven Rosen; 650/363-1814
5. **Project Location:** Public Right-of-Way in front of 170 Cuesta Real, La Honda (37°19'20.91" N, 122°16'14.43" W)
6. **Assessor's Parcel Number and Size of Parcel:** Not Applicable
7. **Project Sponsor's Name and Address:** Bill Stephens for Extenet, 3030 Warrenville Road, Suite 340, Lisle, IL 60532
8. **General Plan Designation:** Low-Density Residential/Rural
9. **Zoning:** R-1/S-10 (One-Family Residential/20,000 Square Feet Minimum Parcel Size)
10. **Description of the Project:** Use permit to allow installation of a wireless telecommunications facility and a new utility pole, 45'-10" in height at the top of the antenna, where an existing utility pole, 34'-0" in height, will be removed.
11. **Surrounding Land Uses and Setting:** One-family residences on large lots in the montane hardwood forest and ruderal/disturbed ecological communities. The site is within the Highway 84 County Scenic Corridor.
12. **Other Public Agencies Whose Approval is Required:** None

**ENVIRONMENTAL FACTORS POTENTIALLY AFFECTED**

The environmental factors checked below would be potentially affected by this project, involving at least one impact that is a "Potentially Significant Impact" or "Significant Unless Mitigated" as indicated by the checklist on the following pages.

	Aesthetics		Climate Change		Population/Housing
	Agricultural and Forest Resources	X	Hazards and Hazardous Materials		Public Services
X	Air Quality		Hydrology/Water Quality		Recreation
X	Biological Resources		Land Use/Planning		Transportation/Traffic
	Cultural Resources		Mineral Resources		Utilities/Service Systems
	Geology/Soils		Noise	X	Mandatory Findings of Significance

## EVALUATION OF ENVIRONMENTAL IMPACTS

1. A brief explanation is required for all answers except “No Impact” answers that are adequately supported by the information sources a lead agency cites. A “No Impact” answer is adequately supported if the referenced information sources show that the impact simply does not apply to projects like the one involved (e.g., the project falls outside a fault rupture zone). A “No Impact” answer should be explained where it is based on project-specific factors as well as general standards (e.g., the project will not expose sensitive receptors to pollutants, based on a project-specific screening analysis).
2. All answers must take account of the whole action involved, including off-site as well as on-site, cumulative as well as project-level, indirect as well as direct, and construction as well as operational impacts.
3. Once the lead agency has determined that a particular physical impact may occur, then the checklist answers must indicate whether the impact is potentially significant, less than significant with mitigation, or less than significant. “Potentially Significant Impact” is appropriate if there is substantial evidence that an effect may be significant. If there are one or more “Potentially Significant Impact” entries when the determination is made, an EIR is required.
4. “Negative Declaration: Less Than Significant with Mitigation Incorporated” applies where the incorporation of mitigation measures has reduced an effect from “Potentially Significant Impact” to a “Less Than Significant Impact.” The lead agency must describe the mitigation measures, and briefly explain how they reduce the effect to a less than significant level (mitigation measures from “Earlier Analyses,” as described in 5. below, may be cross-referenced).
5. Earlier analyses may be used where, pursuant to the tiering, program EIR, or other CEQA process, an effect has been adequately analyzed in an earlier EIR or negative declaration (Section 15063(c)(3)(D)). In this case, a brief discussion should identify the following:
  - a. Earlier Analysis Used. Identify and state where they are available for review.
  - b. Impacts Adequately Addressed. Identify which effects from the above checklist were within the scope of and adequately analyzed in an earlier document pursuant to applicable legal standards, and state whether such effects were addressed by mitigation measures based on the earlier analysis.

- c. Mitigation Measures. For effects that are “Less Than Significant with Mitigation Measures Incorporated,” describe the mitigation measures which were incorporated or refined from the earlier document and the extent to which they address site-specific conditions for the project.
6. Lead agencies are encouraged to incorporate into the checklist references to information sources for potential impacts (e.g., general plans, zoning ordinances). Reference to a previously prepared or outside document should, where appropriate, include a reference to the page or pages where the statement is substantiated.
  7. Supporting Information Sources. Sources used or individuals contacted should be cited in the discussion.

1. <b>AESTHETICS.</b> Would the project:				
	<i>Potentially Significant Impacts</i>	<i>Significant Unless Mitigated</i>	<i>Less Than Significant Impact</i>	<i>No Impact</i>
1.a. Have a significant adverse effect on a scenic vista, views from existing residential areas, public lands, water bodies, or roads?			X	
<p><b>Discussion:</b> The appearance of the proposed facility would differ slightly from the appearance of the existing utility pole. The existing pole, overhead distribution lines, and guy wires mar the appearance of the area and would remain. The increase in height of 11'-10" and addition of an antenna cluster 3' in breadth would not significantly impact the appearance of the site.</p> <p><b>Source:</b> Site Survey, Project Plans, Photo Simulations.</p>				
1.b. Significantly damage or destroy scenic resources, including, but not limited to, trees, rock outcroppings, and historic buildings within a state scenic highway?				X
<p><b>Discussion:</b> The project will not destroy or affect any trees, rock outcroppings, other terrain, or buildings. It will install a new utility pole in the same location as an existing utility pole.</p> <p><b>Source:</b> Project Scope, Site Survey.</p>				
1.c. Significantly degrade the existing visual character or quality of the site and its surroundings, including significant change in topography or ground surface relief features, and/or development on a ridgeline?			X	



<p><b>Discussion:</b> See Section 1.a above for a discussion of the project's impact on the visual character of the site. The site is not located on a ridgeline, so it would not impact any vista by being silhouetted against the sky. The project would not change the topography of the site or its surroundings.</p> <p><b>Source:</b> Site Survey, Project Plans, Photo Simulations.</p>				
1.d.	Create a new source of significant light or glare that would adversely affect day or nighttime views in the area?			X
<p><b>Discussion:</b> The facility does not include any lights.</p> <p><b>Source:</b> Project Plans.</p>				
1.e.	Be adjacent to a designated Scenic Highway or within a State or County Scenic Corridor?		X	
<p><b>Discussion:</b> The project would be in the Highway 84 County Scenic Corridor. The project would not be visible from the highway because the site is 100 feet in elevation above the highway, 840 feet away from the highway, and screened from it by mature trees.</p> <p><b>Source:</b> Site Visit, County Maps.</p>				
1.f.	If within a Design Review District, conflict with applicable General Plan or Zoning Ordinance provisions?			X
<p><b>Discussion:</b> The site is not in a Design Review District.</p> <p><b>Source:</b> Zoning Maps.</p>				
1.g.	Visually intrude into an area having natural scenic qualities?		X	
<p><b>Discussion:</b> See Section 1.a above.</p> <p><b>Source:</b> Site Survey, Project Plans, Photo Simulations.</p>				

**2. AGRICULTURAL AND FOREST RESOURCES.** In determining whether impacts to agricultural resources are significant environmental effects, lead agencies may refer to the California Agricultural Land Evaluation and Site Assessment Model (1997) prepared by the California Department of Conservation as an optional model to use in assessing impacts on agriculture and farmland. In determining whether impacts to forest resources, including timberland, are significant environmental effects, lead agencies may refer to information compiled by the California Department of Forestry and Fire Protection regarding the State's inventory of forestland, including the Forest and Range Assessment Project and the Forest Legacy Assessment Project; and forest carbon measurement methodology provided in Forest Protocols adopted by the California Air Resources Board. Would the project:

	<i>Potentially Significant Impacts</i>	<i>Significant Unless Mitigated</i>	<i>Less Than Significant Impact</i>	<i>No Impact</i>
2.a. For lands outside the Coastal Zone, convert Prime Farmland, Unique Farmland, or Farmland of Statewide Importance (Farmland) as shown on the maps prepared pursuant to the Farmland Mapping and Monitoring Program of the California Resources Agency, to non-agricultural use?				X
<p><b>Discussion:</b> The site is not in these types of land.</p> <p><b>Source:</b> Prime Soils Map, Zoning Map.</p>				
2.b. Conflict with existing zoning for agricultural use, an existing Open Space Easement, or a Williamson Act contract?				X
<p><b>Discussion:</b> The parcels are not in agricultural districts, easements, or agricultural preserves. They are in the public right-of-way.</p> <p><b>Source:</b> Project Description.</p>				
2.c. Involve other changes in the existing environment which, due to their location or nature, could result in conversion of Farmland to non-agricultural use or conversion of forestland to non-forest use?				X
<p><b>Discussion:</b> There is no farmland near the project site.</p> <p><b>Source:</b> County Maps.</p>				
2.d. For lands within the Coastal Zone, convert or divide lands identified as Class I or Class II Agriculture Soils and Class III Soils rated good or very good for artichokes or Brussels sprouts?				X
<p><b>Discussion:</b> The site is not in the Coastal Zone.</p> <p><b>Source:</b> Zoning Maps.</p>				
2.e. Result in damage to soil capability or loss of agricultural land?				X
<p><b>Discussion:</b> The site is not in agricultural land or prime soil.</p> <p><b>Source:</b> County Maps.</p>				

<p>2.f. Conflict with existing zoning for, or cause rezoning of, forestland (as defined in Public Resources Code Section 12220(g)), timberland (as defined by Public Resources Code Section 4526), or timberland zoned Timberland Production (as defined by Government Code Section 51104(g))?</p> <p><i>Note to reader: This question seeks to address the economic impact of converting forestland to a non-timber harvesting use.</i></p>				X
--	--	--	--	---

**Discussion:** The site is not in forestland as defined.

**Source:** County Maps, Site Inspection.

<p>3. <b>AIR QUALITY.</b> Where available, the significance criteria established by the applicable air quality management or air pollution control district may be relied upon to make the following determinations. Would the project:</p>				
	<i>Potentially Significant Impacts</i>	<i>Significant Unless Mitigated</i>	<i>Less Than Significant Impact</i>	<i>No Impact</i>
<p>3.a. Conflict with or obstruct implementation of the applicable air quality plan?</p>			X	

**Discussion:** The Bay Area Air Quality Management District (BAAQMD) California Environmental Quality Act (CEQA) Air Quality Guidelines (BAAQMD, 2011) identify a three-step methodology for determining a project’s consistency with the current Air Quality Plan, the Clean Air Plan (CAP). If the responses to these three questions can be concluded in the affirmative and those conclusions are supported by substantial evidence, then BAAQMD considers the project to be consistent with air quality plans prepared for the Bay Area.

The first question to be assessed in this consistency methodology is “does the project support the goals of the Air Quality Plan (currently the 2010 CAP)?” The BAAQMD-recommended measure for determining project support for these goals is consistency with BAAQMD thresholds of significance. If a project would not result in significant and unavoidable air quality impacts, after the application of all feasible mitigation measures, the project would be consistent with the goals of the 2010 CAP. As indicated in the following discussion with regard to air quality impact Questions 3.b and 3.c, both construction and operation of the project, with mitigation incorporated, would result in less than significant air quality impacts. Therefore, the project would be considered to support the primary goals of the 2010 CAP and, therefore, consistent with the 2010 CAP.

The second question to be assessed in this consistency methodology is “does the project include applicable control measures from the CAP?” The 2010 CAP contains 55 control measures aimed at reducing air pollution in the Bay Area. Projects that incorporate all feasible air quality plan control measures are considered consistent with the CAP. There are no control measures applicable to the operational phase of this project. The wireless telecommunications facility will not emit pollutants, and the energy efficiency stationary source control measures do not have elements applicable to this project. The measures that affect the construction phase of the project are implemented by BAAQMD and California Air Resources Board through point-of-sale regulation and economic

incentives. These include reducing the Reactive Organic Gases in coatings and sealants and incentivizing cleaner-operating vehicles and equipment. Consequently, the project would implement applicable control measures of the CAP.

The third question to be assessed in this consistency methodology is “does the project disrupt or hinder implementation of any control measures from the CAP?” An example would be a project that precludes an extension of a transit line or bike path, or proposes excessive parking beyond parking requirements. The project would not create any barriers or impediments to planned or future improvements to transit or bicycle facilities and does not include any parking areas and, therefore, would not hinder implementation of CAP control measures.

The responses to all three of the questions with regard to CAP consistency are affirmative and the project would not conflict with or obstruct implementation of the 2010 CAP, and thus would have a less than significant impact.

**Source:** BAAQMD.

3.b. Violate any air quality standard or contribute significantly to an existing or projected air quality violation?		X		
--	--	---	--	--

**Discussion:** Minor excavation and the use of construction equipment would result in the emission of particulate pollutants for which the Bay Area air basin is in non-attainment status. The BAAQMD recommends the implementation of Basic Construction Mitigation Measures as best management practices regardless of the significance determination to mitigate the project’s cumulative impact. Implementation of Mitigation Measure 1 would reduce impacts to a less than significant level.

The operational impact of the unmanned wireless telecommunications facility would not result in a significant impact to air quality in the immediate area or the air basin.

**Source:** BAAQMD.

3.c. Result in a cumulatively considerable net increase of any criteria pollutant for which the project region is non-attainment under an applicable Federal or State ambient air quality standard (including releasing emissions which exceed quantitative thresholds for ozone precursors)?		X		
---	--	---	--	--

**Discussion:** According to the BAAQMD, no single project is sufficient in size to, by itself, result in non-attainment of ambient air quality standards. Instead, a project’s individual emissions contribute to existing cumulatively significant adverse air quality impacts. In addition, according to the BAAQMD CEQA Air Quality Guidelines, if a project exceeds the identified thresholds of significance, its emissions would be cumulatively considerable, resulting in significant adverse air quality impacts to the region’s existing air quality conditions (BAAQMD). Mitigation Measure 1 is designed to mitigate the impact of this project’s construction phase on regional air quality to a less than significant level.

The operational impact of the wireless telecommunications facility would not result in a significant impact to air quality in the immediate area or the air basin.

**Source:** BAAQMD.

3.d. Expose sensitive receptors to significant pollutant concentrations, as defined by BAAQMD?		X		
<p><b>Discussion:</b> La Honda Elementary School is within a half mile of the site. Facilities that house or attract children are defined as sensitive receptors by the BAAQMD CEQA Guidelines. These guidelines state that construction could cause a significant increase in PM<sub>10</sub> air pollutants if not mitigated. The guidelines recommend mitigation measures that will reduce the impact to a less than significant level. These are included in Mitigation Measure 1.</p> <p><b>Source:</b> BAAQMD.</p>				
3.e. Create objectionable odors affecting a significant number of people?				X
<p><b>Discussion:</b> This facility does not produce any kind of exhaust or off-gassing.</p> <p><b>Source:</b> Project Plans.</p>				
3.f. Generate pollutants (hydrocarbon, thermal odor, dust or smoke particulates, radiation, etc.) that will violate existing standards of air quality on-site or in the surrounding area?				X
<p><b>Discussion:</b> This project will not result in any operational emissions. Its backup power is a battery.</p> <p><b>Source:</b> Project Plans.</p>				

<p><b>4. BIOLOGICAL RESOURCES.</b> Would the project:</p>				
	<i>Potentially Significant Impacts</i>	<i>Significant Unless Mitigated</i>	<i>Less Than Significant Impact</i>	<i>No Impact</i>
4.a. Have a significant adverse effect, either directly or through habitat modifications, on any species identified as a candidate, sensitive, or special status species in local or regional plans, policies, or regulations, or by the California Department of Fish and Wildlife or U.S. Fish and Wildlife Service?		X		
<p><b>Discussion:</b> The California Natural Diversity Database identified the following special-status species of wildlife as potentially being present at the site: <b>Hoary Bat, Arcuate Bush-Mallow,</b> and <b>Woodland Woollythreads.</b> A biological assessment submitted by the applicant concluded that the project would affect these species as follows:</p> <p>Implementation of the proposed project could potentially result in significant impacts on bat maternity sites (pallid and hoary bats) if these species are present in the project site or buffer area during implementation of the project and if they have established maternity or roosting sites. Impacts to bat</p>				

maternity/roosting sites would occur primarily from noise and vibration created from project construction equipment and construction-related activities. Noise and vibration could lead to these bat species abandoning established maternity/roosting sites. Impacts to these species would be considered significant. Mitigation Measures 2 through 14 would mitigate the impacts of this project to a less than significant level.

The biological assessment concluded that no special-status plant species have the potential to occur in the proposed project site due to the lack of native vegetation (ruderal vegetation was the only vegetative community observed within the proposed project site). No suitable habitat for special-status plants is present within the proposed project site. Based on the habitat requirements of targeted plant species, and the lack of native vegetative communities, Synthesis Planning determined that special-status plant species are not expected to occur or become established in the proposed project site prior to project implementation. Therefore, no impacts to special-status plants would result from project implementation.

The biologists assessing the site observed a few avian species protected under the Federal Migratory Bird Treaty Act. These migratory birds could be impacted by the project should they become established in the project site or buffer area prior to project implementation; Mitigation Measures 2 through 14 would mitigate the impact of the project to a less than significant level.

**Source:** Biological Assessment by Synthesis Planning.

4.b. Have a significant adverse effect on any riparian habitat or other sensitive natural community identified in local or regional plans, policies, and regulations or by the California Department of Fish and Wildlife or U.S. Fish and Wildlife Service?				X
--	--	--	--	---

**Discussion:** The site is not located in riparian habitat or other sensitive natural community.

**Source:** Biological Assessment by Synthesis Planning.

4.c. Have a significant adverse effect on federally protected wetlands as defined by Section 404 of the Clean Water Act (including, but not limited to, marsh, vernal pool, coastal, etc.) through direct removal, filling, hydrological interruption, or other means?				X
--	--	--	--	---

**Discussion:** Beth A. Martin reviewed a printed National Wetlands Inventory (NWI) map compiled with data maintained by the United States Fish and Wildlife Service (USFWS). Based on a review of the NWI map, the consultant determined that the subject property is not located in a designated wetland. Beth A. Martin reviewed the United States Department of Agriculture's National Cooperative Soil Survey for the subject property and conducted a field survey assessment for the three characteristics and indicators of a wetland, which are summarized below:

**Hydrophytic Vegetation:** The site currently consists of a public right-of-way. Typical indicators of hydrophytic vegetation were not noted in the field survey assessment of the subject property.

**Hydric Soils:** According to the NRCS Web Soil Survey Service, underlying soil at the subject property is identified as Lobitos loam, moderately steep, eroded. Lobitos series is not classified as a hydric soil.

<p>Wetland Hydrology: No evidence of wetland hydrology or high water marks was noted during the site inspection.</p> <p>Based on the research and site inspection referred to above, it is not anticipated that the proposed redevelopment project will affect wetland areas.</p> <p><b>Source:</b> Assessment by Beth A. Martin Consulting.</p>					
4.d.	Interfere significantly with the movement of any native resident or migratory fish or wildlife species or with established native resident migratory wildlife corridors, or impede the use of native wildlife nursery sites?		X		
<p><b>Discussion:</b> See Section 4.a.</p> <p><b>Source:</b> Biological Assessment by Synthesis Planning.</p>					
4.e.	Conflict with any local policies or ordinances protecting biological resources, such as a tree preservation policy or ordinance (including the County Heritage and Significant Tree Ordinances)?				X
<p><b>Discussion:</b> The project does not entail the removal of trees.</p> <p><b>Source:</b> Project Scope, Site Survey.</p>					
4.f.	Conflict with the provisions of an adopted Habitat Conservation Plan, Natural Conservation Community Plan, other approved local, regional, or State habitat conservation plan?				X
<p><b>Discussion:</b> There is no Habitat Conservation Plan or other similar plan in the area.</p> <p><b>Source:</b> County Maps.</p>					
4.g.	Be located inside or within 200 feet of a marine or wildlife reserve?				X
<p><b>Discussion:</b> There is no such reserve in the area.</p> <p><b>Source:</b> County Maps.</p>					
4.h.	Result in loss of oak woodlands or other non-timber woodlands?				X
<p><b>Discussion:</b> See Section 4.e.</p> <p><b>Source:</b> Project Scope, Site Survey.</p>					

<b>5. CULTURAL RESOURCES.</b> Would the project:				
	<i>Potentially Significant Impacts</i>	<i>Significant Unless Mitigated</i>	<i>Less Than Significant Impact</i>	<i>No Impact</i>
5.a. Cause a significant adverse change in the significance of a historical resource as defined in CEQA Section 15064.5?				X
<p><b>Discussion:</b> The proposal would entail the removal of a utility pole. The pole is not historically significant in that it is not in the California Register of Historical Resources or a local register of historical resources, and it is not important to the history of California.</p> <p><b>Source:</b> California Register of Historical Resources.</p>				
5.b. Cause a significant adverse change in the significance of an archaeological resource pursuant to CEQA Section 15064.5?				X
<p><b>Discussion:</b> The proposal would entail only excavation of previously disturbed earth.</p> <p><b>Source:</b> Project Plans.</p>				
5.c. Directly or indirectly destroy a unique paleontological resource or site or unique geologic feature?				X
<p><b>Discussion:</b> The proposal would entail only excavation of previously disturbed earth.</p> <p><b>Source:</b> Project Plans.</p>				
5.d. Disturb any human remains, including those interred outside of formal cemeteries?				X
<p><b>Discussion:</b> The proposal would entail only excavation of previously disturbed earth.</p> <p><b>Source:</b> Project Plans.</p>				

<b>6. GEOLOGY AND SOILS.</b> Would the project:				
	<i>Potentially Significant Impacts</i>	<i>Significant Unless Mitigated</i>	<i>Less Than Significant Impact</i>	<i>No Impact</i>
6.a. Expose people or structures to potential significant adverse effects, including the risk of loss, injury, or death involving the following, or create a situation that results in:				



<p>i. Rupture of a known earthquake fault, as delineated on the most recent Alquist-Priolo Earthquake Fault Zoning Map issued by the State Geologist for the area or based on other significant evidence of a known fault?</p> <p><i>Note: Refer to Division of Mines and Geology Special Publication 42 and the County Geotechnical Hazards Synthesis Map.</i></p>				X
<p><b>Discussion:</b> The site is not in an area delineated on the latest Alquist-Priolo map.  <b>Source:</b> ABAG Alquist-Priolo Map.</p>				
<p>ii. Strong seismic ground shaking?</p>			X	
<p><b>Discussion:</b> The site is identified as having the potential for strong seismic ground shaking, but the project will not expose any additional persons or structures to it. In the worst-case scenario of an earthquake topping the new, taller pole, the extra height would not cause it to reach any structure that could not be reached by the existing pole.  <b>Source:</b> Project Plans, ABAG Maps.</p>				
<p>iii. Seismic-related ground failure, including liquefaction and differential settling?</p>			X	
<p><b>Discussion:</b> The site is in an area mapped as being at very low risk for liquefaction.  <b>Source:</b> ABAG Maps.</p>				
<p>iv. Landslides?</p>			X	
<p><b>Discussion:</b> The site is in a landslide area mapped in the General Plan. The project will not expose any additional structures or people to landslides or increase the risk of landslides because the new pole will be installed in the same place as the existing pole. The facility is unmanned.  <b>Source:</b> General Plan Natural Hazards Map.</p>				
<p>v. Coastal cliff/bluff instability or erosion?</p> <p><i>Note to reader: This question is looking at instability under current conditions. Future, potential instability is looked at in Section 7 (Climate Change).</i></p>				X
<p><b>Discussion:</b> The project is not on the coast.  <b>Source:</b> Project Plans.</p>				
<p>6.b. Result in significant soil erosion or the loss of topsoil?</p>				X

<p><b>Discussion:</b> All projects in San Mateo County are conditioned to require construction erosion and sediment control measures.</p> <p><b>Source:</b> NPDES Requirement.</p>					
6.c.	Be located on a geologic unit or soil that is unstable, or that would become unstable as a result of the project, and potentially result in on- or off-site landslide, lateral spreading, subsidence, severe erosion, liquefaction or collapse?			X	
<p><b>Discussion:</b> The project is located in an area subject to landslide risk, but it will not increase the risk of these events occurring or expose any additional people or structures to these events.</p> <p><b>Source:</b> ABAG Maps.</p>					
6.d.	Be located on expansive soil, as noted in the 2010 California Building Code, creating significant risks to life or property?				X
<p><b>Discussion:</b> The site does not contain expansive soils as defined by the Building Code.</p> <p><b>Source:</b> Geotechnical Staff.</p>					
6.e.	Have soils incapable of adequately supporting the use of septic tanks or alternative wastewater disposal systems where sewers are not available for the disposal of wastewater?				X
<p><b>Discussion:</b> The project will not create wastewater.</p> <p><b>Source:</b> Project Description.</p>					

<p><b>7. CLIMATE CHANGE.</b> Would the project:</p>					
		<i>Potentially Significant Impacts</i>	<i>Significant Unless Mitigated</i>	<i>Less Than Significant Impact</i>	<i>No Impact</i>
7.a.	Generate greenhouse gas (GHG) emissions (including methane), either directly or indirectly, that may have a significant impact on the environment?			X	

<p><b>Discussion:</b> The project will use electricity drawn from the California electrical grid. This electricity comes from a mix of fossil fuel and non-fossil fuel sources. Each of the two Kathrein 10764 antennas would use a maximum of approximately 12-kilowatt hours of electricity each day. This carbon footprint is minimal on the scale of the global climate change catastrophe.</p> <p><b>Source:</b> Manufacturer's Information.</p>					
7.b.	Conflict with an applicable plan (including a local climate action plan), policy or regulation adopted for the purpose of reducing the emissions of greenhouse gases?				X
<p><b>Discussion:</b> This project does not conflict with the County of San Mateo Energy Efficiency Climate Action Plan (CSMEECAP).</p> <p><b>Source:</b> CSMEECAP.</p>					
7.c.	Result in the loss of forestland or conversion of forestland to non-forest use, such that it would release significant amounts of GHG emissions, or significantly reduce GHG sequestering?				X
<p><b>Discussion:</b> The project does not entail the conversion of any forestland or the removal of any trees.</p> <p><b>Source:</b> Project Description.</p>					
7.d.	Expose new or existing structures and/or infrastructure (e.g., leach fields) to accelerated coastal cliff/bluff erosion due to rising sea levels?				X
<p><b>Discussion:</b> The site is not on the coast.</p> <p><b>Source:</b> Site Survey.</p>					
7.e.	Expose people or structures to a significant risk of loss, injury or death involving sea level rise?				X
<p><b>Discussion:</b> The site elevation is about 585 feet above mean sea level. The National Oceanic and Atmospheric Administration (NOAA) estimates that mean sea level will rise by no more than 6.6 feet by 2100.</p> <p><b>Source:</b> Global Sea Level Rise Scenarios for the United States National Climate Assessment, December 6, 2012; Accessed March 12, 2014, <a href="http://cpo.noaa.gov/sites/cpo/Reports/2012/NOAA_SLR_r3.pdf">http://cpo.noaa.gov/sites/cpo/Reports/2012/NOAA_SLR_r3.pdf</a>.</p>					

7.f.	Place structures within an anticipated 100-year flood hazard area as mapped on a Federal Flood Hazard Boundary or Flood Insurance Rate Map or other flood hazard delineation map?				X
<p><b>Discussion:</b> The site is not within a flood hazard area on the FEMA Flood Insurance Rate Map (FIRM).</p> <p><b>Source:</b> FIRM Panel 06081C-0384E.</p>					
7.g.	Place within an anticipated 100-year flood hazard area structures that would impede or redirect flood flows?				X
<p><b>Discussion:</b> The site is not within a floodway.</p> <p><b>Source:</b> FIRM Panel 06081C-0384E.</p>					

<b>8. HAZARDS AND HAZARDOUS MATERIALS.</b> Would the project:					
		<i>Potentially Significant Impacts</i>	<i>Significant Unless Mitigated</i>	<i>Less Than Significant Impact</i>	<i>No Impact</i>
8.a.	Create a significant hazard to the public or the environment through the routine transport, use, or disposal of hazardous materials (e.g., pesticides, herbicides, other toxic substances, or radioactive material)?				X
<p><b>Discussion:</b> The use, wireless telecommunications facility, does not entail the routine transport, use, or disposal of toxic or other hazardous materials.</p> <p><b>Source:</b> Project Description.</p>					
8.b.	Create a significant hazard to the public or the environment through reasonably foreseeable upset and accident conditions involving the release of hazardous materials into the environment?			X	
<p><b>Discussion:</b> Like personal computers and other electronics, the batteries and electronic equipment of this facility are manufactured with potentially hazardous materials. This equipment is built to international standards and is free of lead.</p> <p><b>Source:</b> Manufacturer's Information.</p>					
8.c.	Emit hazardous emissions or handle hazardous or acutely hazardous materials, substances, or waste within				X

one-quarter mile of an existing or proposed school?				
<p><b>Discussion:</b> The site is not within one-quarter mile of a school.</p> <p><b>Source:</b> County Maps.</p>				
8.d. Be located on a site which is included on a list of hazardous materials sites compiled pursuant to Government Code Section 65962.5 and, as a result, would it create a significant hazard to the public or the environment?				X
<p><b>Discussion:</b> There are no hazardous materials sites in the area.</p> <p><b>Source:</b> Envirostor Database, Department of Toxic Substances Control.</p>				
8.e. For a project located within an airport land use plan or, where such a plan has not been adopted, within 2 miles of a public airport or public use airport, result in a safety hazard for people residing or working in the project area?				X
<p><b>Discussion:</b> The project is not in such a location.</p> <p><b>Source:</b> County Maps.</p>				
8.f. For a project within the vicinity of a private airstrip, result in a safety hazard for people residing or working in the project area?				X
<p><b>Discussion:</b> The project is not in the vicinity of a private airstrip.</p> <p><b>Source:</b> Federal Aviation Administration San Francisco Sectional Aeronautical Chart.</p>				
8.g. Impair implementation of or physically interfere with an adopted emergency response plan or emergency evacuation plan?				X
<p><b>Discussion:</b> The project does not block or reroute any roads or other transportation routes.</p> <p><b>Source:</b> Project Plans.</p>				
8.h. Expose people or structures to a significant risk of loss, injury or death involving wildland fires, including where wildlands are adjacent to urbanized areas or where residences are intermixed with wildlands?				X

<p><b>Discussion:</b> The proposal is an unmanned facility, so it will not increase human exposure to wildfire. The proposal would not increase the exposure of any structures to wildfire with the exception of the proposed facility itself.</p> <p><b>Source:</b> Project Description.</p>					
8.i.	Place housing within an existing 100-year flood hazard area as mapped on a Federal Flood Hazard Boundary or Flood Insurance Rate Map or other flood hazard delineation map?				X
<p><b>Discussion:</b> The project is not housing.</p> <p><b>Source:</b> Project Description.</p>					
8.j.	Place within an existing 100-year flood hazard area structures that would impede or redirect flood flows?				X
<p><b>Discussion:</b> The project site is not in a floodway.</p> <p><b>Source:</b> Flood Insurance Rate Map.</p>					
8.k.	Expose people or structures to a significant risk of loss, injury or death involving flooding, including flooding as a result of the failure of a levee or dam?				X
<p><b>Discussion:</b> The project is not in a dam failure inundation area.</p> <p><b>Source:</b> County General Plan Natural Hazards Map.</p>					
8.l.	Inundation by seiche, tsunami, or mudflow?				X
<p><b>Discussion:</b> The site is not in a seiche, tsunami, or mudflow hazard zone.</p> <p><b>Source:</b> County General Plan Natural Hazards Map.</p>					

<b>9. HYDROLOGY AND WATER QUALITY.</b> Would the project:					
		<i>Potentially Significant Impacts</i>	<i>Significant Unless Mitigated</i>	<i>Less Than Significant Impact</i>	<i>No Impact</i>
9.a.	Violate any water quality standards or waste discharge requirements (consider water quality parameters such as temperature, dissolved oxygen, turbidity and other typical stormwater pollutants (e.g., heavy metals, pathogens,				X

petroleum derivatives, synthetic organics, sediment, nutrients, oxygen-demanding substances, and trash))?				
<p><b>Discussion:</b> The project will not increase impermeable surface area and is required to treat all runoff on-site.</p> <p><b>Source:</b> NPDES Permit, Project Plans.</p>				
9.b. Significantly deplete groundwater supplies or interfere significantly with groundwater recharge such that there would be a net deficit in aquifer volume or a lowering of the local groundwater table level (e.g., the production rate of pre-existing nearby wells would drop to a level which would not support existing land uses or planned uses for which permits have been granted)?				X
<p><b>Discussion:</b> The project will not increase demand for groundwater and does not propose increasing impervious surfaces that would prevent groundwater infiltration.</p> <p><b>Source:</b> Project Plans.</p>				
9.c. Significantly alter the existing drainage pattern of the site or area, including through the alteration of the course of a stream or river, in a manner that would result in significant erosion or siltation on- or off-site?				X
<p><b>Discussion:</b> The footprint of the project remains the same. It will not increase impermeable surface area. Therefore, it will not increase runoff volume or velocity, resulting in no increase of erosion or siltation.</p> <p><b>Source:</b> Project Plans.</p>				
9.d. Significantly alter the existing drainage pattern of the site or area, including through the alteration of the course of a stream or river, or significantly increase the rate or amount of surface runoff in a manner that would result in flooding on- or off-site?				X
<p><b>Discussion:</b> The footprint of the project remains the same. It will not increase impermeable surface area. Therefore, it will not increase runoff volume or velocity, resulting in no increase flow volume or velocity downstream of the site.</p> <p><b>Source:</b> Project Plans.</p>				

9.e.	Create or contribute runoff water that would exceed the capacity of existing or planned stormwater drainage systems or provide significant additional sources of polluted runoff?				X
<p><b>Discussion:</b> The footprint of the project remains the same. It will not increase impermeable surface area. Therefore, it will not increase runoff volume or velocity. There will be no impact on any downstream systems.</p> <p><b>Source:</b> Project Plans.</p>					
9.f.	Significantly degrade surface or ground-water water quality?				X
<p><b>Discussion:</b> The project itself would not be the source of any pollutants and would not increase runoff velocity or volume that could result in more pollutants entering the surface or groundwater.</p> <p><b>Source:</b> Project Plans.</p>					
9.g.	Result in increased impervious surfaces and associated increased runoff?				X
<p><b>Discussion:</b> There is no increase to impervious surfaces.</p> <p><b>Source:</b> Project Plans.</p>					

<b>10. LAND USE AND PLANNING.</b> Would the project:					
		<i>Potentially Significant Impacts</i>	<i>Significant Unless Mitigated</i>	<i>Less Than Significant Impact</i>	<i>No Impact</i>
10.a.	Physically divide an established community?				X
<p><b>Discussion:</b> The project is within an existing community. It will not sever any roads, walkways, paths, or other connections.</p> <p><b>Source:</b> Location Maps.</p>					
10.b.	Conflict with any applicable land use plan, policy or regulation of an agency with jurisdiction over the project (including, but not limited to, the general plan, specific plan, local coastal program, or zoning ordinance) adopted for the purpose of avoiding or mitigating an environmental effect?				X
<p><b>Discussion:</b> The Zoning Ordinance allows wireless telecommunications facilities to be issued use permits when the decision maker finds, at a public hearing, that the use would not be detrimental to</p>					



<p>its surroundings. The decision must also confirm that the proposal conforms to applicable policies of the General Plan.</p> <p><b>Source:</b> Zoning Ordinance.</p>					
10.c.	Conflict with any applicable habitat conservation plan or natural community conservation plan?				X
<p><b>Discussion:</b> The site is not within a habitat conservation plan (HCP) or conservation plan area.</p> <p><b>Source:</b> County HCP Maps.</p>					
10.d.	Result in the congregating of more than 50 people on a regular basis?				X
<p><b>Discussion:</b> This is an unmanned facility.</p> <p><b>Source:</b> Project Description.</p>					
10.e.	Result in the introduction of activities not currently found within the community?				X
<p><b>Discussion:</b> The maintenance of public utilities already occurs in the community.</p> <p><b>Source:</b> Site Survey.</p>					
10.f.	Serve to encourage off-site development of presently undeveloped areas or increase development intensity of already developed areas (examples include the introduction of new or expanded public utilities, new industry, commercial facilities or recreation activities)?				X
<p><b>Discussion:</b> The project would increase mobile telephone coverage and service speeds for customers of certain carriers. It is unlikely that this would draw enough people to the area that it would cause new development.</p> <p><b>Source:</b> Project Description.</p>					
10.g.	Create a significant new demand for housing?				X
<p><b>Discussion:</b> The project would increase mobile telephone coverage and service speeds for customers of certain carriers. It is unlikely that this would increase the desirability of the area for residences.</p> <p><b>Source:</b> Project Description.</p>					

<b>11. MINERAL RESOURCES.</b> Would the project:				
	<i>Potentially Significant Impacts</i>	<i>Significant Unless Mitigated</i>	<i>Less Than Significant Impact</i>	<i>No Impact</i>
11.a. Result in the loss of availability of a known mineral resource that would be of value to the region or the residents of the State?				X
<p><b>Discussion:</b> The proposal's interface with the ground would not be different from the existing utility pole.</p> <p><b>Source:</b> Project Plans.</p>				
11.b. Result in the loss of availability of a locally important mineral resource recovery site delineated on a local general plan, specific plan or other land use plan?				X
<p><b>Discussion:</b> The proposal's interface with the ground would not be different from the existing utility pole.</p> <p><b>Source:</b> Project Plans.</p>				

<b>12. NOISE.</b> Would the project result in:				
	<i>Potentially Significant Impacts</i>	<i>Significant Unless Mitigated</i>	<i>Less Than Significant Impact</i>	<i>No Impact</i>
12.a. Exposure of persons to or generation of noise levels in excess of standards established in the local general plan or noise ordinance, or applicable standards of other agencies?				X
<p><b>Discussion:</b> The operation of the wireless telecommunications facility will not generate noise.</p> <p><b>Source:</b> Project Description.</p>				
12.b. Exposure of persons to or generation of excessive ground-borne vibration or ground-borne noise levels?		X		

<p><b>Discussion:</b> The County Noise Ordinance does not apply to construction noise. The impact of noise at night is much greater than noise generated during the day, as reflected in the Noise Ordinance's more stringent overnight limits. Limiting construction to the workday will allow nearby residents to enjoy quiet at their homes. Mitigation Measure 15 would ameliorate this impact to a less than significant level.</p> <p><b>Source:</b> County Noise Ordinance.</p>					
12.c.	A significant permanent increase in ambient noise levels in the project vicinity above levels existing without the project?				X
<p><b>Discussion:</b> The operation of the wireless telecommunications facility will not generate noise.</p> <p><b>Source:</b> Project Description.</p>					
12.d.	A significant temporary or periodic increase in ambient noise levels in the project vicinity above levels existing without the project?		X		
<p><b>Discussion:</b> See the discussion in Section 12.b for the effects of construction noise and in Section 12.c for a discussion of noise.</p> <p><b>Source:</b> County Noise Ordinance, Project Description.</p>					
12.e.	For a project located within an airport land use plan or, where such a plan has not been adopted, within 2 miles of a public airport or public use airport, exposure to people residing or working in the project area to excessive noise levels?				X
<p><b>Discussion:</b> The project is not within an airport land use plan or within 2 miles of a public use airport.</p> <p><b>Source:</b> Zoning Maps, San Francisco Sectional.</p>					
12.f.	For a project within the vicinity of a private airstrip, exposure to people residing or working in the project area to excessive noise levels?				X
<p><b>Discussion:</b> The project is not in the vicinity of a private airstrip.</p> <p><b>Source:</b> San Francisco Sectional.</p>					

<b>13. POPULATION AND HOUSING.</b> Would the project:				
	<i>Potentially Significant Impacts</i>	<i>Significant Unless Mitigated</i>	<i>Less Than Significant Impact</i>	<i>No Impact</i>
13.a. Induce significant population growth in an area, either directly (for example, by proposing new homes and businesses) or indirectly (for example, through extension of roads or other infrastructure)?				X
<p><b>Discussion:</b> This project will not directly or indirectly induce population growth because a new antenna would not attract new residents or induce natural population growth.</p> <p><b>Source:</b> Project Description.</p>				
13.b. Displace existing housing ( <b>including low- or moderate-income housing</b> ), in an area that is substantially deficient in housing, necessitating the construction of replacement housing elsewhere?				X
<p><b>Discussion:</b> The project is in the public right-of-way, not a residential lot.</p> <p><b>Source:</b> Project Plans.</p>				

<b>14. PUBLIC SERVICES.</b> Would the project result in significant adverse physical impacts associated with the provision of new or physically altered government facilities, the need for new or physically altered governmental facilities, the construction of which could cause significant environmental impacts, in order to maintain acceptable service ratios, response times or other performance objectives for any of the public services:				
	<i>Potentially Significant Impacts</i>	<i>Significant Unless Mitigated</i>	<i>Less Than Significant Impact</i>	<i>No Impact</i>
14.a. Fire protection?				X
14.b. Police protection?				X
14.c. Schools?				X
14.d. Parks?				X
14.e. Other public facilities or utilities (e.g., hospitals, or electrical/natural gas supply systems)?				X

**Discussion:** The project will not result in any new population or obstruction to the provision of these services.

**Source:** Project Description.

15. RECREATION. Would the project:				
	<i>Potentially Significant Impacts</i>	<i>Significant Unless Mitigated</i>	<i>Less Than Significant Impact</i>	<i>No Impact</i>
15.a. Increase the use of existing neighborhood or regional parks or other recreational facilities such that significant physical deterioration of the facility would occur or be accelerated?				X
<p><b>Discussion:</b> The project will not increase the number of residents or visitors in the area.</p> <p><b>Source:</b> Project Description.</p>				
15.b. Include recreational facilities or require the construction or expansion of recreational facilities which might have an adverse physical effect on the environment?				X
<p><b>Discussion:</b> The project will not increase the number of residents or visitors in the area.</p> <p><b>Source:</b> Project Description.</p>				

16. TRANSPORTATION/TRAFFIC. Would the project:				
	<i>Potentially Significant Impacts</i>	<i>Significant Unless Mitigated</i>	<i>Less Than Significant Impact</i>	<i>No Impact</i>
16.a. Conflict with an applicable plan, ordinance or policy establishing measures of effectiveness for the performance of the circulation system, taking into account all modes of transportation including mass transit and non-motorized travel and relevant components of the circulation system, including, but not limited to, intersections, streets, highways and freeways, pedestrian and bicycle paths, and mass transit?				X

<p><b>Discussion:</b> This unmanned facility will not increase the number of residents or visitors entering, leaving, or passing through the area.</p> <p><b>Source:</b> Project Description.</p>					
16.b.	Conflict with an applicable congestion management program, including, but not limited to, level of service standards and travel demand measures, or other standards established by the County congestion management agency for designated roads or highways?				X
<p><b>Discussion:</b> This applicant anticipates that this unmanned facility will be maintained once a month, which is a negligible amount of traffic.</p> <p><b>Source:</b> Application.</p>					
16.c.	Result in a change in air traffic patterns, including either an increase in traffic levels or a change in location that results in significant safety risks?				X
<p><b>Discussion:</b> The project will not affect any airports or create any structure that would be regulated by the Federal Aviation Administration.</p> <p><b>Source:</b> Project Description.</p>					
16.d.	Significantly increase hazards to a design feature (e.g., sharp curves or dangerous intersections) or incompatible uses (e.g., farm equipment)?				X
<p><b>Discussion:</b> The replacement utility pole will be in the same location as the existing pole. The facility's relationship with the ground will not be different from what currently exists.</p> <p><b>Source:</b> Project Description.</p>					
16.e.	Result in inadequate emergency access?				X
<p><b>Discussion:</b> The vehicular right-of-way will not be narrowed, made more sinuous, or physically changed in any way. The new structures will be easily accessible by emergency vehicles.</p> <p><b>Source:</b> County Right-of-Way Standards, Department of Public Works.</p>					
16.f.	Conflict with adopted policies, plans, or programs regarding public transit, bicycle, or pedestrian facilities, or otherwise decrease the performance or safety of such facilities?				X

<p><b>Discussion:</b> The project will not narrow the right-of-way or result in the constriction of any bicycle, pedestrian, or public transit facilities. It will not prevent the implementation of any transportation plan or reduce the performance of any such facilities.</p> <p><b>Source:</b> Transit Route Maps, General Plan Circulation Element.</p>				
16.g. Cause noticeable increase in pedestrian traffic or a change in pedestrian patterns?				X
<p><b>Discussion:</b> The unmanned facility will not attract additional pedestrians.</p> <p><b>Source:</b> Project Description.</p>				
16.h. Result in inadequate parking capacity?				X
<p><b>Discussion:</b> The monthly maintenance visit can be accommodated by street parking adjacent to the site.</p> <p><b>Source:</b> Site Survey.</p>				

<p><b>17. UTILITIES AND SERVICE SYSTEMS.</b> Would the project:</p>				
	<i>Potentially Significant Impacts</i>	<i>Significant Unless Mitigated</i>	<i>Less Than Significant Impact</i>	<i>No Impact</i>
17.a. Exceed wastewater treatment requirements of the applicable Regional Water Quality Control Board?				X
<p><b>Discussion:</b> The project will not produce wastewater.</p> <p><b>Source:</b> Project Description.</p>				
17.b. Require or result in the construction of new water or wastewater treatment facilities or expansion of existing facilities, the construction of which could cause significant environmental effects?				X
<p><b>Discussion:</b> The project will not produce wastewater.</p> <p><b>Source:</b> Project Description.</p>				
17.c. Require or result in the construction of new stormwater drainage facilities or expansion of existing facilities, the construction of which could cause significant environmental effects?				X

<p><b>Discussion:</b> The project does not entail the construction of stormwater drainage facilities.</p> <p><b>Source:</b> Project Description.</p>				
17.d. Have sufficient water supplies available to serve the project from existing entitlements and resources, or are new or expanded entitlements needed?				X
<p><b>Discussion:</b> The project will not require any water supplies.</p> <p><b>Source:</b> Project Description.</p>				
17.e. Result in a determination by the wastewater treatment provider which serves or may serve the project that it has adequate capacity to serve the project's projected demand in addition to the provider's existing commitments?				X
<p><b>Discussion:</b> The project will not produce wastewater.</p> <p><b>Source:</b> Project Description.</p>				
17.f. Be served by a landfill with insufficient permitted capacity to accommodate the project's solid waste disposal needs?				X
<p><b>Discussion:</b> The facility will not generate solid waste operationally. There has been no evidence received to suggest that the disposal of the existing utility pole would adversely affect any existing landfill capacities.</p> <p><b>Source:</b> Project Description.</p>				
17.g. Comply with Federal, State, and local statutes and regulations related to solid waste?				X
<p><b>Discussion:</b> The project will be installed by licensed contractors with permits from the California Public Utilities Commission. This will ensure that waste is properly disposed of.</p> <p><b>Source:</b> Project Description.</p>				
17.h. Be sited, oriented, and/or designed to minimize energy consumption, including transportation energy; incorporate water conservation and solid waste reduction measures; and incorporate solar or other alternative energy sources?				X
<p><b>Discussion:</b> The project is located on the same pole as its power supply, minimizing electricity transmission loss.</p> <p><b>Source:</b> Project Description.</p>				



17.i. Generate any demands that will cause a public facility or utility to reach or exceed its capacity?				X
<p><b>Discussion:</b> This wireless telecommunications facility will not cause any public facility or utility to reach or exceed capacity, as discussed above.</p> <p><b>Source:</b> Project Description.</p>				

18. MANDATORY FINDINGS OF SIGNIFICANCE.				
	<i>Potentially Significant Impacts</i>	<i>Significant Unless Mitigated</i>	<i>Less Than Significant Impact</i>	<i>No Impact</i>
18.a. Does the project have the potential to degrade the quality of the environment, significantly reduce the habitat of a fish or wildlife species, cause a fish or wildlife population to drop below self-sustaining levels, threaten to eliminate a plant or animal community, reduce the number or restrict the range of a rare or endangered plant or animal or eliminate important examples of the major periods of California history or prehistory?		X		
<p><b>Discussion:</b> The project could significantly impact migratory birds and endemic bats unless mitigation measures are imposed.</p> <p><b>Source:</b> Section 4 of this Initial Study.</p>				
18.b. Does the project have impacts that are individually limited, but cumulatively considerable? (“Cumulatively considerable” means that the incremental effects of a project are considerable when viewed in connection with the effects of past projects, the effects of other current projects, and the effects of probable future projects.)		X		
<p><b>Discussion:</b> The construction of the project would contribute to an ongoing violation of air quality standards unless Mitigation Measure 1 is imposed.</p> <p><b>Source:</b> Section 3 of this Initial Study.</p>				
18.c. Does the project have environmental effects which will cause significant adverse effects on human beings, either directly or indirectly?		X		

**Discussion:** This project would cause significant impacts due to construction air pollution and construction noise unless mitigation measures are imposed.

**Source:** Sections 3 and 12 of this Initial Study.

**RESPONSIBLE AGENCIES.** Check what agency has permit authority or other approval for the project.

AGENCY	YES	NO	TYPE OF APPROVAL
U.S. Army Corps of Engineers (CE)		X	
State Water Resources Control Board		X	
Regional Water Quality Control Board		X	
State Department of Public Health		X	
San Francisco Bay Conservation and Development Commission (BCDC)		X	
U.S. Environmental Protection Agency (EPA)		X	
County Airport Land Use Commission (ALUC)		X	
CalTrans		X	
Bay Area Air Quality Management District		X	
U.S. Fish and Wildlife Service		X	
Coastal Commission		X	
City		X	
Sewer/Water District:		X	
Other:		X	

<b><u>MITIGATION MEASURES</u></b>		
	<u>Yes</u>	<u>No</u>
Mitigation measures have been proposed in project application.	X	
Other mitigation measures are needed.	X	

The following measures are included in the project plans or proposals pursuant to Section 15070(b)(1) of the State CEQA Guidelines:

**Mitigation Measure 1:** The applicant shall require construction contractors to implement all the Bay Area Air Quality Management District's (BAAQMD's) Basic Construction Mitigation Measures, listed below:

- a. All exposed surfaces (e.g., parking areas, staging areas, soil piles, graded areas, and unpaved access roads) shall be watered two times per day.
- b. All haul trucks transporting soil, sand, or other loose material off-site shall be covered.
- c. All visible mud or dirt track-out onto adjacent public roads shall be removed using wet power vacuum street sweepers at least once per day. The use of dry power sweeping is prohibited.
- d. All vehicle speeds on unpaved roads shall be limited to 15 mph.
- e. All roadways, driveways, and sidewalks to be paved shall be completed as soon as possible. Building pads shall be laid as soon as possible after grading unless seeding or soil binders are used.
- f. Idling times shall be minimized either by shutting equipment off when not in use or reducing the maximum idling time to 5 minutes (as required by the California Airborne Toxics Control Measure, Title 13, Section 2485 of California Code of Regulations [CCR]). Clear signage shall be provided for construction workers at all access points.
- g. All construction equipment shall be maintained and properly tuned in accordance with manufacturer's specifications. All equipment shall be checked by a certified mechanic and determined to be running in proper condition prior to operation.
- h. Post a publicly visible sign with the telephone number and person to contact at the Lead Agency regarding dust complaints. This person shall respond and take corrective action within 48 hours. The Air District's phone number shall also be visible to ensure compliance with applicable regulations.

**Mitigation Measure 2:** Environmental Awareness Training shall be presented to all personnel working in the field on the proposed project site. Training shall consist of a brief presentation in which biologists knowledgeable of endangered species biology and legislative protection shall explain endangered species concerns. Training shall include a discussion of special-status plants and sensitive wildlife species. Species biology, habitat needs, status under the Endangered Species Act, and measures being incorporated for the protection of these species and their habitats shall also be discussed.

**Mitigation Measure 3:** As close to the beginning of project activities as possible, but not more than 14 days prior, a qualified biologist shall conduct a final pre-construction survey of the proposed project site and buffer area to verify that no special-status wildlife species have become established in the project site or buffer area. A qualified biologist shall be present immediately prior to project activities that have the potential to impact sensitive species to identify and protect potentially sensitive resources.

**Mitigation Measure 4:** Project site boundaries shall be clearly delineated by stakes and/or flagging to minimize inadvertent degradation or loss of adjacent habitat during project operations. Staff and/or its contractors shall post signs and/or fence around the project site to restrict access of vehicles and equipment unrelated to drilling operations.

**Mitigation Measure 5:** If ground disturbing activities occur during the breeding season of migratory avian or raptor species (February through mid-September), surveys for active nests will be conducted by a qualified biologist no more than 10 days prior to start of activities.

Pre-construction nesting surveys shall be conducted for nesting migratory avian and raptor species in the project site and buffer area. Pre-construction biological surveys shall occur prior to the proposed project implementation, and during the appropriate survey periods for nesting activities for individual avian species. Surveys will follow required California Department of Fish and Wildlife (CDFW) and United States Fish and Wildlife Service (USFWS) protocols, where applicable. A qualified biologist will survey suitable habitat for the presence of these species. If a migratory avian or raptor species is observed and suspected to be nesting, a buffer area will be established to avoid impacts to the active nest site. Identified nests should be continuously surveyed for the first 24 hours prior to any construction-related activities to establish a behavioral baseline. If no nesting avian species are found, project activities may proceed and no further mitigation measures will be required. If active nesting sites are found, the following exclusion buffers will be established, and no project activities will occur within these buffer zones until young birds have fledged and are no longer reliant upon the nest or parental care for survival.

- a. Minimum no disturbance of 250 feet around active nest of non-listed bird species and 250-foot no disturbance buffer around migratory birds.
- b. Minimum no disturbance of 500 feet around active nest of non-listed raptor species.
- c. Minimum 0.5-mile no disturbance buffer from listed species and fully protected species until breeding season has ended or until a qualified biologist has determined that the birds have fledged and are no longer reliant upon the nest or parental care for survival.
- d. Once work commences, all nests should be continuously monitored to detect any behavioral changes as a result of project activities. If behavioral changes are observed, the work causing that change should cease and the appropriate regulatory agencies (i.e., CDFW, USFWS, etc.) shall be consulted for additional avoidance and minimization measures.
- e. A variance from these no disturbance buffers may be implemented when there is compelling biological or ecological reason to do so, such as when the project area would be concealed from a nest site by topography. Any variance from these buffers is advised to be supported by a qualified wildlife biologist and is recommended that CDFW and USFWS be notified in advance of implementation of a no disturbance buffer variance.

**Mitigation Measure 6:** Pre-construction nesting surveys shall be conducted for special-status avian species (long-eared owl and marbled murrelet) in the project site and buffer area. Pre-construction surveys will be conducted prior to the implementation of the specific phases of the proposed project during the appropriate survey periods for each species. Surveys will follow required CDFW and USFWS protocols where applicable. A qualified biologist will survey suitable habitat for the presence of these species.

If a special-status bird species is observed and suspected or known to be nesting, an exclusion buffer area will be established to avoid impacts on the active nest site. If no nesting special-status avian species are found, project activities may proceed and no further mitigation measures will be required. If active nesting sites are found, the following exclusion buffers will be established, and no project activities will occur within these buffer zones until young birds have fledged:

#### *Long-Eared Owl*

Long-eared owls typically nest and rear young from March through May. If a long-eared owl is found to be nesting, impacts will be avoided and minimized by establishing a 200-foot buffer around active nesting sites. No project-related activities would be allowed to occur within this buffer until young have fledged or the species are no longer attempting to nest. The buffer area can be removed prior to May if a qualified biologist determines that all juveniles have fledged from occupied nests.

### *Marbled Murrelet*

Marbled murrelets typically nest and rear young from mid-April through September. In order to avoid and minimize impacts on nesting marbled murrelets during project implementation, a 330-foot buffer will be established around active nesting sites when project activities will occur during their breeding and nesting period. No project activities will be allowed to occur within this zone. The buffer area can be removed prior to September if a qualified biologist determines that all juveniles have fledged from occupied nests.

**Mitigation Measure 7:** Pre-activity surveys will be conducted for pallid bat and hoary bat and their maternity/roosting sites in the project buffer area. No potential maternity/roosting habitat was observed within the proposed project site. If a bat maternity/roosting site is identified during these surveys or suspected to be present, a buffer area will be established to avoid impacts on the burrow/maternity site, and subsequently the bat species. The following exclusion zone will apply: 300 feet for known or potential maternity/roosting site.

**Mitigation Measure 8:** A project representative shall establish restrictions on project-related traffic to approved project areas, storage areas, staging and parking areas via signage. Off-road traffic outside of the designated project site shall be prohibited.

**Mitigation Measure 9:** Project-related traffic shall observe a 15 mph speed limit in the project site except on County roads and State and Federal highways to avoid impacts to special-status and common wildlife species.

**Mitigation Measure 10:** Hazardous materials, fuels, lubricants, and solvents that spill accidentally during project-related activities shall be cleaned up and removed from the project as soon as possible according to applicable Federal, State and local regulations.

**Mitigation Measure 11:** All equipment storage and parking during site development and operation shall be confined to the proposed project site or other off-site previously disturbed areas.

**Mitigation Measure 12:** All excavated steep-walled holes or trenches in excess of three (3) feet in depth shall be provided with one or more escape ramps constructed of earth fill to prevent entrapment of endangered species or other animals. Ramps shall not be less than 45-degree angles. Trenches shall be inspected for entrapped wildlife each morning prior to onset of project activities and immediately prior to the end of each working day. Before such holes or trenches are filled, they shall be inspected thoroughly for entrapped animals. Any animals discovered shall be allowed to escape voluntarily without harassment before project activities related to the trench resume, or removed from the trench or hole by a qualified biologist and allowed to escape unimpeded.

**Mitigation Measure 13:** All food-related trash items such as wrappers, cans, bottles or food scraps generated during project activities shall be disposed of only in closed containers and regularly removed from the proposed project site. Food items may attract wildlife species onto the proposed project site, consequently exposing such animals to increased risk of injury or mortality. No deliberate feeding of wildlife shall be allowed.

**Mitigation Measure 14:** To prevent harassment or mortality of wildlife species via predation, or destruction of their dens or nests, no domestic pets shall be permitted on-site.

**Mitigation Measure 15:** Noise levels produced by construction shall not exceed the 80-dBA level at any one moment. Construction activity shall be limited to the hours from 7:00 a.m. to 6:00 p.m., Monday through Friday, and 9:00 a.m. to 5:00 p.m. on Saturday. Construction operation shall be prohibited on Sunday and any national holiday.



## BETH A. MARTIN

5636 SE Tolman Street, Portland, Oregon 97206

July 7, 2014

Mr. Matthew Yergovich  
ExteNet Systems Inc.  
3030 Warrenville Rd. Suite 340  
Lisle, IL 60532

Re: NEPA Summary Report  
HWY8435-061B  
(PROW) 170 Cuesta Real  
La Honda, San Mateo County, CA 94020

Dear Mr. Yergovich,

Beth A. Martin has completed a NEPA Summary Report for the following property:

Project Name	HWY8435-061B
Project Address	(PROW) 170 Cuesta Real, La Honda, San Mateo County, CA 94020
Property Description	A public right of way.
Project Description	Existing 34' utility pole to be replaced with a 45'10" utility pole with the placement of all equipment on the utility pole.
Access / Utilities Easements	Utilize existing access from Cuesta Real.

Based on the information and conclusions included in this report, no further action is deemed necessary under 47 CFR Subpart 1, Chapter 1, Sections 1.1301-1.1319 of the National Environmental Policy.

Thank you for the opportunity to provide this service and we look forward to working with you in the future. If you have any questions or comments, please call our office at (503) 780-5450.

Sincerely,



Beth A. Martin  
Project Manager-President

Enclosures



# BETH A. MARTIN

5636 SE Tolman Street, Portland, Oregon 97206

## FCC NEPA CHECKLIST

(47 CFR Subpart 1, Chapter 1, Sections 1.1301-1.1319)

Site Name: HWY8435-061B

Site Address: (PROW) 170 Cuesta Real, La Honda, CA 94020

Category	Special Interest Item	Potential Effect	
		Yes	No
1	Is the antenna structure located in an officially designated wilderness area?		X
2	Is the antenna structure located in an officially designated wildlife preserve?		X
3	Will the antenna structure likely affect threatened or endangered species or designated critical habitats?		X
4	Will the antenna structure affect districts, sites, buildings, structures, or objects significant in American history, architecture, archeology, engineering, or culture that are listed, or potentially eligible for listing in the National Register of Historic Places (NRHP)?		X
5	Will the antenna structure affect Indian religious site(s)?		X
6	Will the antenna structure be located in a flood plain?		X
7	Will construction of the antenna structure involve significant change in surface features (e.g. wetlands, deforestation, or water diversion)?		X
8	Is the antenna structure located in a residential neighborhood and required to be equipped with high intensity white lights?		X
9	Will the antenna structure equal or exceed total power (of all channels) of 2000 Watts ERP (3280 Watts EIRP) and have antenna located less than 10 meters above ground level?		X
	Will the roof-top antenna project equal or exceed total power (of all channels) of 2000 Watts ERP (3280 Watts EIRP)?		X

Preparer's Signature: Beth A Martin Date: July 7, 2014

Printed Name and Title: Beth A. Martin / Project Manager – President





## BETH A. MARTIN

5636 SE Tolman Street, Portland, Oregon 97206

Beth A. Martin completed a review of the above-referenced project to determine potential affects to Special Interest Items 1-9 listed in 47 CFR Subpart 1, Chapter 1, Section 1.1307 (a). This NEPA Impact Assessment was performed in consideration of 47 CFR Subpart 1, Chapter 1, Sections 1.1301-1.1319.

### **1. Is the antenna structure located in an officially designated wilderness area?**

### **2. Is the antenna structure located in an officially designated wildlife preserve?**

No. Based on maps published by the National Forest Service and the US Fish and Wildlife Service, no National Forest, National Grasslands, Wildlife Refuges or Wilderness Areas are located at or near the subject property. Further, Beth A. Martin reviewed National Scenic trail maps and verified that no scenic trails are located within 1 mile of the subject property.

### **3. Will the antenna structure likely affect threatened or endangered species or designated critical habitats?**

No. ExteNet Systems contracted Synthesis Planning to conduct a Biological Assessment of the subject property. Per the report issued in June 2014, they have determined the following: "Special-status species have been documented in the proposed project buffer area. Other listed and special-status species and their habitat have been documented in proximity to the proposed project area. The project, as designed, is unlikely to result in impacts to listed or sensitive wildlife and plant resources, Synthesis Planning recommends that ExteNet implement the mitigation measures described in the report in Appendix A to avoid or minimize impact to biological resources.

1. Environmental Awareness Training shall be presented to all personnel working in the field on the proposed project site. Training shall consist of a brief presentation in which biologists knowledgeable of endangered species biology and legislative protection shall explain endangered species concerns. Training shall include a discussion of special-status plants and sensitive wildlife species. Species biology, habitat needs, status under the Endangered Species Act, and measures being incorporated for the protection of these species and their habitats shall also be discussed.
2. As close to the beginning of project activities as possible, but not more than 14 days prior, a qualified biologist shall conduct a final pre-construction survey of the proposed project site and buffer area to verify that no special-status wildlife species have become established in the project site or buffer area. A qualified biologist shall be



present immediately prior to project activities that have potential to impact sensitive species to identify and protect potentially sensitive resources.

3. Project site boundaries shall be clearly delineated by stakes and /or flagging to minimize inadvertent degradation or loss of adjacent habitat during project operations. Staff and/or its contractors shall post signs and/or place fence around the project site to restrict access of vehicles and equipment unrelated to drilling operations.
4. If ground disturbing activities occur during the breeding season of migratory avian or raptor species (February through mid-September), surveys for active nests will be conducted by a qualified biologist no more than 10 days prior to start of activities. Pre-construction nesting surveys shall be conducted for nesting migratory avian and raptor species in the project site and buffer area. Pre-construction biological surveys shall occur prior to the proposed project implementation, and during the appropriate survey periods for nesting activities for individual avian species. Surveys will follow required CDFW and USFWS protocols, where applicable. A qualified biologist will survey suitable habitat for the presence of these species. If a migratory avian or raptor species is observed and suspected to be nesting, a buffer area will be established to avoid impacts to the active nest site. Identified nests should be continuously surveyed for the first 24 hours prior to any construction-related activities to establish a behavioral baseline. If no nesting avian species are found, project activities may proceed and no further mitigation measures will be required. If active nesting sites are found, the following exclusion buffers will be established, and no project activities will occur within these buffer zones until young birds have fledged and are no longer reliant upon the nest or parental care for survival.
  - Minimum no disturbance of 250 feet around active nest of non-listed bird species and 250 foot no disturbance buffer around migratory birds;
  - Minimum no disturbance of 500 feet around active nest of non-listed raptor species;
  - and 0.5-mile no disturbance buffer from listed species and fully protected species until breeding season has ended or until a qualified biologist has determined that the birds have fledged and are no longer reliant upon the nest or parental care for survival.
  - Once work commences, all nests should be continuously monitored to detect any behavioral changes as a result of project activities. If behavioral changes are observed, the work causing that change should cease and the appropriate regulatory agencies (i.e. CDFW, USFWS, etc.) shall be consulted for additional avoidance and minimization measures.
  - A variance from these no disturbance buffers may be implemented when there is compelling biological or ecological reason to do so, such as when the project area would be concealed from a nest site by topography. Any variance from these buffers is advised to be supported by a qualified wildlife biologist and is recommended that



CDFW and USFWS be notified in advance of implementation of a no disturbance buffer variance.

5. Pre-construction nesting surveys shall be conducted for special-status avian species (long-eared owl and marbled murrelet) in the project site and buffer area. Pre-construction surveys will be conducted prior to the implementation of the specific phases of the proposed project during the appropriate survey periods for each species. Surveys will follow required CDFW and USFWS protocols where applicable. A qualified biologist will survey suitable habitat for the presence of these species.

If a special-status bird species is observed and suspected or known to be nesting, an exclusion buffer area will be established to avoid impacts on the active nest site. If no nesting special-status avian species are found, project activities may proceed and no further mitigation measures will be required. If active nesting sites are found, the following exclusion buffers will be established, and no project activities will occur within these buffer zones until young birds have fledged:

#### Long-Eared Owl

Long-eared owls typically nests and rears young from March through May. If this species is found to be nesting, impacts will be avoided and minimized by establishing a 200-foot buffer around active nesting sites. No Project related activities would be allowed to occur within this buffer until young have fledged or the species are no longer attempting to nest. The buffer area can be removed prior to May if a qualified biologist determines that all juveniles have fledged from occupied nests.

#### Marbled Murrelet

Marbled murrelets typically nest and rear young from mid-April through September. In order to avoid and minimize impacts on nesting marbled murrelet during project implementation, a 330-foot buffer will be established around active nesting sites when project activities will occur during their breeding and nesting period. No project activities will be allowed to occur within this zone. The buffer area can be removed prior to September if a qualified biologist determines that all juveniles have fledged from occupied nests.



6. Pre-activity surveys will be conducted for pallid bat and hoary bat and their roosting/maternity sites in the project buffer area. No potential roosting/maternity habitat was observed within the proposed project site. If a bat roosting/maternity site is identified during these survey or suspected to be present, a buffer area will be established to avoid impacts on the burrow/maternity site, and subsequently the bat species. The following exclusion zone will apply:
  - 300 feet for known or potential maternity roosting site
6. A project representative shall establish restrictions on project-related traffic to approved project areas, storage areas, staging and parking areas via signage. Off-road traffic outside of designated project site shall be prohibited.
7. Project-related traffic shall observe a 15 mph speed limit in the project site except on County roads and State and federal highways to avoid impacts to special-status and common wildlife species.
8. Hazardous materials, fuels, lubricants, and solvents that spill accidentally during project-related activities shall be cleaned up and removed from the project as soon as possible according to applicable federal, state and local regulations.
9. All equipment storage and parking during site development and operation shall be confined to the proposed project site or other offsite previously disturbed areas.
10. All excavated steep-walled holes or trenches in excess of three (3) feet in depth shall be provided with one or more escape ramps constructed of earth fill to prevent entrapment of endangered species or other animals. Ramps shall not be less than 45-degree angles. Trenches shall be inspected for entrapped wildlife each morning prior to onset of project activities and immediately prior to the end of each working day. Before such holes or trenches are filled they shall be inspected thoroughly for entrapped animals. Any animals discovered shall be allowed to escape voluntarily without harassment before project activities related to the trench resume, or removed from the trench or hole by a qualified biologist and allowed to escape unimpeded.
11. All food-related trash items such as wrappers, cans, bottles or food scraps generated during project activities shall be disposed of only in closed containers and regularly removed from the proposed project site. Food items may attract wildlife species onto the proposed project site, consequently exposing such animals to increased risk of injury or mortality. No deliberate feeding of wildlife shall be allowed.



12. To prevent harassment or mortality of wildlife species via predation, or destruction of their dens or nests, no domestic pets shall be permitted on-site.”

**4. Will the antenna structure affect districts, sites, buildings, structures, or objects significant in American history, architecture, archaeology, engineering, or culture that are listed, or potentially eligible for listing in the National Register of Historic Places (NRHP)?**

No. Beth A. Martin was provided with information by ExteNet Systems, Inc., indicating the proposed project meets the criteria to be excluded from Section 106 Review under Section III-Undertakings Excluded From Section 106 Review, (E) of the Nationwide Programmatic Agreement for Review of Effects on Historic Properties for Certain Undertakings Approved By the Federal Communications Commission (NPA). Section III, E is defined as; ‘Construction of a Facility in or within 50 feet of the outer boundary of a right-of-way designated by a Federal, State, local, or Tribal government for the location of communications Towers or above-ground utility transmission or distribution lines and associated structures and equipment and in active use for such purposes, provided:

1. The proposed Facility would not constitute a substantial increase in size, under elements 1-3 of the definition in the Collocation Agreement, over existing structures located in the right-of-way within the vicinity of the proposed Facility, and;
2. The proposed facility would not be located within the boundaries of a Historic Property, as identified by the Applicant after a preliminary search of relevant records. (*Reference Appendix B for a Cultural Resource Assessment completed by BCR Consulting LLC for Synthesis Environmental for ExteNet Systems, Inc.*)

Proposed Facilities within this exclusion must complete the process of participation of Indian tribes and NHOs pursuant to Section IV of this Agreement. If as a result of this process the Applicant or the Commission identifies a Historic Property that may be affected, the Applicant must complete the Section 106 review process pursuant to this Agreement notwithstanding the exclusion.’ Therefore, Section 106 Review is not required under the NPA.

**5. Will the antenna structure affect Indian religious site(s)?**

No. Beth A. Martin utilized the Tower Construction Notification System (TCNS) maintained by the Federal Communications Commission (FCC) to identify any tribal entities with interest in the area of the proposed project. The FCC responded via email on June 6, 2014, indicating one tribal group was forwarded information regarding the location of the proposed project via electronic or regular mail. The FCC assigned this project as TCNS ID: 112039 (*Reference Appendix C*).

Beth A. Martin received either a ‘no interest or no comment’ response or a statement of no interest in pre-construction review from the following tribal groups through TCNS.



- Los Coyotes Reservation

To date, Beth A. Martin has not received any additional tribal responses from the groups identified above. All of the above-mentioned tribes do request immediate notification should human remains or objects under NAGPRA become uncovered during construction.

#### **6. Will the antenna structure be located in a floodplain?**

No. Beth A. Martin reviewed the Federal Emergency Management Agency (FEMA) Flood Insurance Rate Map (FIRM) for San Mateo County, California, Map Number 06081C0384E with an effective date of October 16, 2012. The area in which the subject property lies is not located in a 100-year flood plain. (*Reference Appendix D*)

#### **7. Will construction of the antenna structure involve significant change in surface features (e.g. wetlands, deforestation, or water diversion)?**

No. Beth A. Martin reviewed a printed National Wetlands Inventory (NWI) map compiled with data maintained by the USFWS. Based on our review of the NWI map, the subject property is not located in a designated wetland (Reference Appendix D). Beth A. Martin reviewed the USDA - National Cooperative Soil Survey for the subject property and conducted a field survey assessment for the three characteristics and indicators of a wetland, which are summarized below:

**Hydrophytic Vegetation:** The site currently consists of a public right-of-way. Typical indicators of hydrophytic vegetation were not noted in the field survey assessment of the subject property.

**Hydric Soils:** According to the NRCS Web Soil Survey Service, underlying soils at the subject property are identified as Lobitos loam, moderately steep, eroded. Butano series is not classified as a hydric soil.

**Wetland Hydrology:** No evidence of wetland hydrology or high water marks was noted during the site inspection.

Based on the information reviewed and the site inspection, it is not anticipated that the proposed redevelopment project will affect wetland areas. If ExteNet Systems, Inc., will be causing deforestation or water diversion during the redevelopment process, an Environmental Assessment (EA) must be prepared and submitted to the Federal Communications Commission.

#### **8. Is the antenna structure located in a residential neighborhood and required to be equipped with high intensity white lights?**

No. As a standard practice, ExteNet Systems, Inc., uses dual mode lighting systems. ExteNet Systems, Inc., will confirm these specifications with each new tenant.



**9. Will the antenna structure equal or exceed total power (of all channels) of 2000 Watts ERP (3280 EIRP) and have antenna located less than 10 meters above the ground? Will the rooftop antenna project equal or exceed total power (of all channels) of 2000 Watts ERP (3280 EIRP)?**

ExteNet Systems, Inc., will confirm the antenna structure is below RF exposure standards.



---

# **BETH A. MARTIN**

5636 SE Tolman Street, Portland, Oregon 97206

## **APPENDIX A**

### **Biological Assessment**

**PHONE**  
503-780-5450

**EMAIL**  
[bethannemartin@yahoo.com](mailto:bethannemartin@yahoo.com)



**Biological Assessment  
Extenet Systems  
Highway 84 DAS System Extension Project  
San Mateo County, California**

**Prepared for:**

**Extenet Systems  
3030 Warrenville Road, Suite 340  
Lisle, IL 60532**

**Prepared by:**

**Synthesis Planning  
6 Carmen Court  
Novato, California 94945  
Contact: Cord Hute, Vice President  
(415) 328-7923**

**June 2014**

## **INTRODUCTION**

Extenet Systems (Extenet) is proposing to construct seven (7) new nodes that will be connected to its existing neutral host fiber-fed distributed antenna system (DAS). The proposed project site is located in San Mateo County, California. Extenet retained the services of Synthesis Planning to conduct a biological survey and assessment of the proposed project site and buffer area for submittal to applicable Local, State, and Federal permitting agencies.

Synthesis Planning conducted a biological survey of the proposed project site and buffer area to identify known or potential habitat for special-status wildlife and plant species on April 22, 2014. This report presents the results of our biological survey and includes recommendations for avoidance and minimization measures to be implemented as operational procedures during the proposed project to avoid or minimize potential impacts to sensitive wildlife and plant species.

## **PROJECT LOCATION AND SETTING**

The proposed project site is located in central San Mateo County, California (see Figure 1). The proposed project site is located in Sections 2, 11, 14, and 23, Township 7 South, Range 4 West, MDBM of the U.S. Geological Survey [USGS] La Honda 7.5-minute quadrangle map. Figures 1, 2a, and 2b depict the location of the proposed project site. The proposed project site is located in areas of ruderal vegetation surrounded by native forest, riparian, stream, and grassland habitat.

The term “project site” is used to define the project footprint (i.e. proposed node locations, existing access routes, etc.). The term “buffer area” describes a 500-foot area surrounding the proposed project site that was included in the biological survey area. Representative photographs of the proposed project node locations and buffer areas are presented in Appendix A.

**Habitat Conservation and Natural Community Conservation Plans** – There are no adopted Habitat Conservation Plans, Natural Community Conservation Plans or other approved local, regional, or State habitat conservation plans covering the proposed project site.

## **PROJECT DESCRIPTION**

Extenet is proposing to construct seven (7) new nodes that will be connected to its existing neutral host fiber-fed distributed antenna system (DAS) within San Mateo County, California (the project). Five (5) of the nodes will be placed on new wooden utility poles, while two (2) of the nodes will be placed on existing wooden utility poles. The proposed nodes will be constructed completely within public right-of-ways within existing transportation corridors that are also used for utilities.

The project will provide added diversity within the existing telecommunications system and will insure that existing systems remain compatible with future technology advances in fiber-optic equipment. The project will provide greater bandwidth, multiple modes of communication compatible with existing and evolving systems, more predictable delivery of bandwidth, and greater control over the ordering, provisioning, and management of this bandwidth to better meet the growing bandwidth needs of customers. In addition, the project will expand and enhance California’s national and international telecommunications access and the nation’s existing and future demands for telecommunications services by enabling more networks to exchange traffic across California and the reliability thereof using high-quality, state-of-the-art fiber-optic

technology. In addition, the project will increase competitive pressures among existing telecommunications carriers, and promote opportunities for economic growth in California as businesses continue to shift focus to information services and technology.

Construction of the proposed project will consist specifically of the following:

- Installation by Extenet of new wood utility poles;
- Installation of seven (7) DAS nodes installed on existing and new wood utility poles;
- Installation of fiber-optic equipment (*i.e.*, optical conversion equipment, signal regeneration equipment, switching equipment, *etc.*) within above-ground equipment pedestals or underground equipment vault boxes; and
- Splicing of fiber-optic cable into new nodes.

The location of the proposed project is illustrated on the attached Project Vicinity (Figure 1) and Location (see Figures 2a and 2b) maps.

### **Installation of New Wood Steel Utility Poles**

Extenet will install five (5) new wood utility poles modified to accommodate Extenet's nodes and associated equipment. New wood utility poles will be installed by a private contractor approved to conduct such work in the project area. Replacement wooden poles would be placed in a bored hole, and soil wood be backfilled into the hole and compacted. A small crane will be used to lift and place the new wood poles.

### **Installation of Communications Nodes and Equipment**

During this phase of the project, Extenet would install the seven (7) communication nodes on existing and newly installed wood utility poles. The communication nodes would be installed using a crane and bucket truck. Fiber-optic equipment (*i.e.*, optical conversion equipment, signal regeneration equipment, switching equipment, *etc.*) would be installed within an underground equipment vault box or aboveground in an equipment cabinet adjacent to each node location. Extenet will connect the proposed communications nodes to the existing Highway 84 DAS via connection to existing fiber optic cable lines.

### **Surface Restoration**

Surface restoration is the final step in the construction process. Generally, restoration involves returning the project site to its pre-construction condition or better.

Where paved surfaces have been disturbed, restoration will include pavement repair, curb and gutter reconstruction, and pavement re-striping, if needed. Typical pavement repair includes cutting and removing a strip of asphalt extending wider than the disturbance. This is then replaced with new asphalt after backfilling and compaction are completed. Compacting backfill to a minimum of 95% relative density in two (2) courses provides for a structurally sound repair.

In unpaved areas, restoration will include grading to restore original contours, installing erosion control devices at locations susceptible to erosion, and seeding, mulching, and fertilizing to return the site to pre-construction conditions. Where landscaped areas are disturbed, the landscaping will be replaced to its pre-construction condition or better.

## Operation and Maintenance

Operation and maintenance activities associated with a fiber-optic project are minimal. Future operation and maintenance of the facilities will be carried out by Extenet, whose personnel will periodically patrol the project route to look for any damage to the system. If maintenance or repair activities have the potential to affect sensitive resources, Extenet will contact the appropriate public resource agencies to ensure environmental compliance. Maintenance and repair activities are not discussed or analyzed further in this document.

## Project Schedule

Construction is expected to begin after all required regulatory permits are secured. Installation activities are expected to be complete in approximately 60 days, or two (2) months.

## SURVEY METHODOLOGIES

A literature review was completed and field surveys were conducted to identify special-status plant and wildlife species, as well as sensitive habitats that could be potentially present within the proposed project site and buffer area. The following sections describe the survey methods that were used and the literature and databases that were reviewed prior to conducting biological surveys.

**Literature Review:** Prior to conducting biological surveys for the proposed project site and buffer area and during the preparation of this biological assessment, we reviewed Synthesis Planning data files and records from the following sources:

- United States Fish and Wildlife Service (USFWS) Sacramento Office online electronic database of threatened and endangered species (USFWS 2014a);
- United States Fish and Wildlife Service (USFWS) Environmental Conservation Online System (ECOS) Critical Habitat Portal (USFWS 2014b);
- California Department of Fish and Wildlife (CDFW) California Natural Diversity Database (CNDDDB) RareFind 5 and Biological Information and Observation System (BIOS) (CDFW 2014);
- California Native Plant Society's (CNPS) online *Inventory of Rare and Endangered Vascular Plants of California, 8<sup>th</sup> Edition* (CNPS 2014).

From each review, a list of special-status species was generated for species that occur in or may be affected by projects in the La Honda, Mindogo Hill, and Woodside USGS 7.5-minute quadrangles. Special-status species that potentially occur in these quadrangles (an area measuring approximately 210 square miles) are identified in Table 1. Each of the species identified in the database queries was evaluated in terms of its likelihood to occur within the project site and buffer area (see Table 1). This evaluation considered the known distribution and habitat requirements of the species and the following findings were prepared:

- **Known to Occur** – species was observed within or adjacent to the project site or buffer area during biological surveys or has previously been documented within or immediately

adjacent to the project site or buffer area.

- Potentially Present – species has not been documented within or immediately adjacent to the project site or buffer area, but should be expected in areas of suitable habitat on and near the project site and buffer area during the appropriate season and time of day.
- Low Potential – species has not been documented within or immediately adjacent to the project site or buffer area, nor is it likely to occur on or near the project site or buffer area, but its presence cannot be completely discounted due to incomplete information on the taxon’s distribution or habitat requirements.
- No Potential – species does not occur within or immediately adjacent to the project site or buffer area due to the lack of required habitat features for the species, or the known range of the species is well defined and does not include the project vicinity.

Sources consulted for information on distribution of special-status wildlife species, as well as local and regional sensitive fauna include Remsen 1978 [birds], Williams 1986 [mammals], Jennings and Hayes 1994 [reptiles and amphibians], and Moyle *et al.* 1989 [fish].

*Special-Status Species* - Special-status species are those taxa that are legally protected under the State or Federal Endangered Species Act (ESAs) or other regulations and considered sufficiently rare by the scientific community to qualify for such listing. Special-status plants and animals generally fall into one or more of the following categories:

- Plants or animals listed or proposed for listing as Threatened or Endangered under the Federal ESA (50 Code of Federal Regulations [CFR] 17.12 [listed plants], 1711 [listed animal] and various notices in the Federal Register [FR][proposed species]);
- Plants or animals that are candidates for possible future listing as Threatened or Endangered under the Federal ESA (61 FR 40);
- Plants or animals listed or proposed for listing by the State of California as Threatened or Endangered under the California ESA (14 California Code of Regulations [CCR] 670.5);
- Animal Species of Special Concern to the CDFW (CDFW 2014);
- Animals Fully Protected in California (California Fish and Game Code, Sections 3511 [birds], 4700 [mammals], and 5050 [reptiles and amphibians]);
- Plants listed as California Rare Plant Rank (CRPR) 1A (former CNPS List 1A) are presumed extinct in California (CNPS 2014);
- Plants listed as California Rare Plant Rank (CRPR) 1B (former CNPS List 1B) are considered rare, threatened, or endangered in California or elsewhere (CNPS 2014);
- Plants listed as California Rare Plant Rank (CRPR) 2A (former CRPR 1A) are presumed extirpated in California, but more common elsewhere (CNPS 2014);

- Plants listed as California Rare Plant Rank (CRPR) 2B (former CRPR 1B) are considered rare or endangered in California, but more common elsewhere (CNPS 2014);
- Plants identified as California Rare Plant (CRPR) Rank 3 (former CNPS List 3) are those for which more information is needed; a review list (CNPS 2014); and
- Plants listed as California Rare Plant Rank 4 (former CNPS List 4) are of limited distribution; a watch list (CNPS 2014) – these taxa may be included as special-status species on the basis of local significance or recent biological information.

### **SENSITIVE WILDLIFE SPECIES SURVEYS**

We surveyed the proposed project site and a 500-foot buffer area around the proposed project site for sensitive wildlife, special-status plant species, and their habitats on April 22, 2014. Animal species observed during biological surveys are listed in Table 2. Plant species identified are discussed in the text of the report. Species with potential to occur in the proposed project site based on known and historic occurrences in the CNDDDB are discussed in text. Based on current site conditions and lack of habitat in the proposed project site and buffer area, those species identified in Table 1 as having no potential to occur in the project site and buffer area are not discussed further in this document.

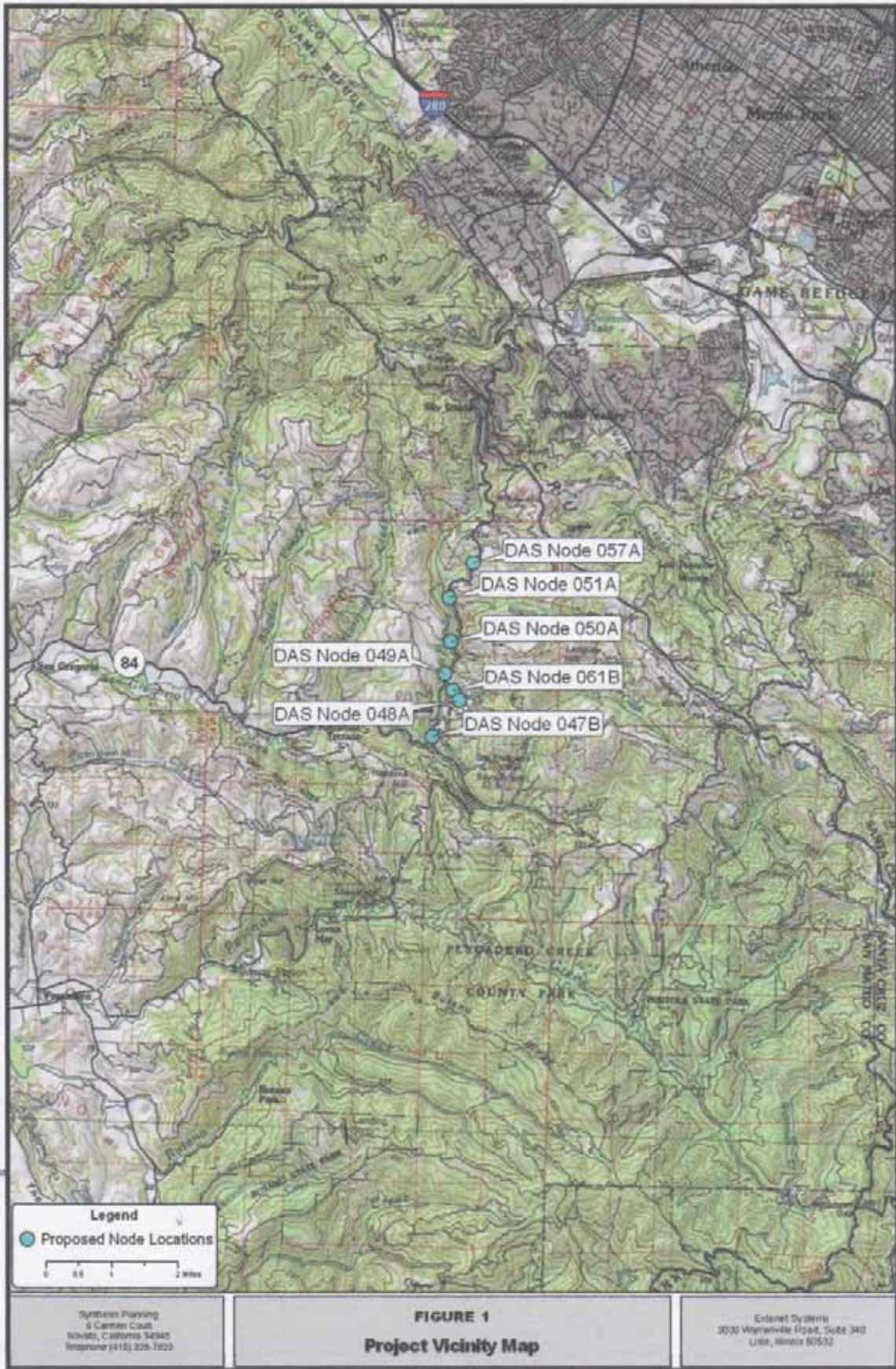
We used portions of standard agency approved methods to survey for special-status wildlife species. Surveys were conducted to identify the following:

- Suitability of habitat(s) to support special-status wildlife species
- Sightings, burrows, and "sign" of sensitive small mammal species
- Sightings and "sign" of other sensitive avian species
- Presence of suitable nesting, roosting, and/or foraging habitat for migratory and other sensitive avian species
- Vegetation association, habitat types, and special-status plant species
- Dominant plant canopy and ground cover species
- Habitat condition and quality
- On-site, adjacent, and surrounding land uses.

We conducted surveys by walking parallel meandering transects spaced at 30 to 50 foot intervals to identify special-status wildlife species. Presence of these species was confirmed by direct observation or by identification of "sign" (e.g., tracks, scat, dens and/or burrows, etc.) unique to a particular species.

### **SPECIAL-STATUS PLANT SURVEYS**

**Literature Review:** Prior to conducting field surveys, we reviewed information from published and unpublished sources to determine special-status plant species known, or that have potential to occur in the vicinity of the proposed project. Special-status plant species include species listed as Endangered, Threatened, or Rare by USFWS (USFWS 2014), or by CDFW (CDFW 2014), and species listed by CNPS (CNPS 2014).









**Table 1**  
**Special-Status Species Potentially Occurring in the Proposed Project Site and Buffer Area**

Common Name	Scientific Name	Federal Status	State Status	Habitat/Observances	Potential to Occur on Project Site and Buffer Area
Long-eared owl	<i>Asto otus</i>	-	CSC	Found as an uncommon resident or winter visitor throughout most of northern California (excluding the high Sierra Nevada and humid North Coast Ranges) and Mojave Desert, but is a rare and local winter visitor to the South Coast Ranges and other lowland portions of the state. The species inhabits open woodlands, forest edges, riparian strips along rivers, hedgerows, juniper thickets, woodlots, and wooded ravines and gullies. Breeding habitat must include thickly wooded areas for nesting and roosting with nearby open spaces for hunting. During winter, they need dense conifer groves or brushy thickets to roost in.	Potentially Present. Potential foraging and nesting habitat is present in the proposed project site and buffer area. No sign of this species was observed during biological surveys. This species has not been documented within the boundaries of or in proximity to the proposed project site (CDFW 2014) (see Figure 3).
Marbled murrelet	<i>Brachyramphus marmoratus</i>	FT	CE	Feed on fish and invertebrates in the nearshore marine environment, but fly up to 50 miles inland to nest in conifer forests. Murrelets utilize forests with mature- or old-growth characteristics, including large trees, a generous amount of canopy closure, and complex under- and overstory structure. Nest trees must have trunk or branch formations, such as large horizontal branches, that can serve as nest platforms.	Potentially Present. Potential nesting habitat is present in the proposed project buffer area. No sign of this species was observed during biological surveys. This species has not been documented within the boundaries of or in proximity to the proposed project site (CDFW 2014) (see Figure 3).
Salt marsh common yellowthroat	<i>Geothlypis trichas sinuosa</i>	-	CSC	Resident of the San Francisco Bay Region in fresh and saltwater marshes. Requires thick, continuous cover down to water surface for foraging, and tall grasses, tule patches, and willows for nesting.	No Potential. No potential habitat suitable for this species was observed within the proposed project site or buffer area.
California clapper rail	<i>Rallus longirostris obsoletus</i>	FE	CE/Fully Protected	Salt water and brackish marshes traversed by tidal sloughs in the vicinity of San Francisco Bay. Associated with abundant growths of pickleweed. Feeds away from cover on invertebrates from mud-bottomed sloughs.	No Potential. No potential habitat suitable for this species was observed within the proposed project site or buffer area.
California least tern	<i>Sterna antillarum browni</i>	FE	CE/Fully Protected	Nests along the coast from San Francisco Bay south to northern Baja California. Colonial breeder on bare or sparsely vegetated, flat substrates such as sand beaches, alkali flats, landfills, and paved areas.	No Potential. No potential habitat suitable for this species was observed within the proposed project site or buffer area.

**Table 1  
Special-Status Species Potentially Occurring in the Proposed Project Site and Buffer Area**

Common Name		Scientific Name	Federal Status	State Status	Habitat/Observances	Potential to Occur on Project Site and Buffer Area
<i>Mammals</i>						
Pallid bat	<i>Antrozous pallidus</i>	-	CSC	Found in deserts, grasslands, shrublands, woodlands, and forests. Most common in dry habitats with rocky areas for roosting. Roosts must protect bats from high temperatures. Very sensitive to disturbance of roosting sites.	Potentially Present. Potential foraging and roosting habitat is present in the proposed project buffer area. No sign of this species was observed during biological surveys nor were any roosting/maternity sites identified. This species has not been documented within the boundaries of or in proximity to the proposed project site (CDFW 2014) (see Figure 3).	
Santa Cruz kangaroo rat	<i>Dipodomys venustus venustus</i>	-	-	This species requires well drained, deep soils and is often found on slopes where chaparral, or chaparral mixed with oak or pine, grow. This species makes burrow networks that are simple, but that include several supplementary branches where no food is cached or nests are built.	No Potential. No potential habitat suitable for this species was observed within the proposed project site or buffer area.	
Hoary bat	<i>Lasiurus cinereus</i>	-	CSC	Prefers open habitats or habitat mosaics, with access to trees for cover and open areas or habitat edges for feeding. Roosts in dense foliage of medium to large trees, feeds primarily on moths, requires water.	Potentially Present. Potential foraging and roosting habitat is present in the proposed project buffer area. No sign of this species was observed during biological surveys nor were any roosting/maternity sites identified. This species has been documented within the immediate vicinity of proposed Nodes 047B, 048A, 049A, and 061B (CDFW 2014) (see Figure 3).	
San Francisco dusky-footed woodrat	<i>Neotoma fuscipes amnectens</i>	-	CSC	Occurs in brushy habitat in chaparral and foothills of woodlands around San Francisco Bay and adjacent coastal ranges.	Potentially Present. Potential foraging and nesting habitat is present in the proposed project buffer area. No sign of this species was observed during biological surveys. This species has not been documented within the boundaries of or in proximity to the proposed project site (CDFW 2014) (see Figure 3).	

**Table 1  
Special-Status Species Potentially Occurring in the Proposed Project Site and Buffer Area**

Common Name	Scientific Name	Federal Status	State Status	Habitat/Observances	Potential to Occur on Project Site and Buffer Area
<i>Invertebrates</i> Edgewood blind harvestman	<i>Calicina minor</i>	-	-	Open grassland in areas of serpentine bedrock near permanent springs.	Potentially present. Potential habitat for this species was observed adjacent to and south of the Node 48A site within the project buffer area. No sign of this species was observed during biological surveys. This species has not been documented within the boundaries of or in proximity to the proposed project site (CDFW 2014) (see Figure 3).
Bay checkerspot butterfly	<i>Euphydryas editha bayensis</i>	FT	-	Restricted to native grasslands on outcrops of serpentine soil in the vicinity of San Francisco Bay. <i>Platago erecta</i> is the primary host plant of this species. <i>Orthocarpus densiflorus</i> and <i>O. purpurascens</i> are the secondary host plants.	No Potential. No potential habitat suitable for this species was observed within the proposed project site or buffer area.
Ricksecker's water scavenger beetle	<i>Hydrochara rickseckeri</i>	-	-	Inhabits seasonally ponded wetlands in the San Francisco Bay Area.	No Potential. No potential habitat suitable for this species was observed within the proposed project site or buffer area.
Edgewood Park micro-blind harvestman	<i>Microcina edgewoodensis</i>	-	-	Open grassland in xeric environments. Found beneath serpentine rocks in grassland adjacent to scrub oaks.	Potentially present. Potential habitat for this species was observed adjacent to and south of the Node 48A site within the project buffer area. No sign of this species was observed during biological surveys. This species has not been documented within the boundaries of or in proximity to the proposed project site (CDFW 2014) (see Figure 3).
Myrtle's silverspot butterfly	<i>Speyeria serene myrtleae</i>	FE	-	Restricted to the foggy, coastal dunes and hills of the Point Reyes Peninsula. Extirpated from coastal San Mateo County. Larval foodplant thought to be <i>Viola adunca</i> .	No Potential. This species is known to be extirpated from the proposed project area. Therefore, it is expected to be absent from the proposed project area.

**Table 1  
Special-Status Species Potentially Occurring in the Proposed Project Site and Buffer Area**

Common Name	Scientific Name	Federal Status	State Status	Habitat/Observances	Potential to Occur on Project Site and Buffer Area
Unsilvered fritillary	<i>Speyeria adiastra</i>	-	-	Found in openings in redwood and coniferous forests, oak woodlands, and chaparral.	Potentially present. Potential habitat is present in the proposed project site and buffer area. No sign of this species was observed during biological surveys. This species has not been documented within the boundaries of or in proximity to the proposed project site (CDFW 2014) (see Figure 3).
<b>Amphibians and Reptiles</b>					
California tiger salamander	<i>Ambystoma californiense</i>	FT	CT	Primarily inhabit non-native grassland providing underground refuges, especially ground squirrel burrows and vernal pools or other seasonal water sources for breeding.	Potentially present. Potential aestivation habitat for this species was observed adjacent to and south of the Node 48A site within the project buffer area. No aquatic breeding habitat was observed within the proposed project site or buffer area. No potential aestivation burrow sites were observed within the project site or buffer area during biological surveys. No sign of this species was observed during biological surveys. This species has not been documented within the boundaries of or in proximity to the proposed project site (CDFW 2014) (see Figure 3).
Western pond turtle	<i>Emys marmorata</i>	-	CSC	A thoroughly aquatic turtle of ponds, marshes, rivers, streams, and irrigation ditches with aquatic vegetation. Require basking sites and suitable upland habitat (sandy banks or grassy open fields) for egg-laying.	Potentially present. Potential habitat for this species occurs within the buffer area of the proposed Nodes with the exception of Nodes 048A and 061B. No individuals of this species were observed during surveys. This species has not been documented within the boundaries of or in proximity to the proposed project site (CDFW 2014) (see Figure 3).
California red-legged	<i>Rana draytonii</i>	FT	CSC	Lowlands and foothills in or near permanent sources	Potentially present. Potential habitat

**Table 1  
Special-Status Species Potentially Occurring in the Proposed Project Site and Buffer Area**

Common Name	Scientific Name	Federal Status	State Status	Habitat/Observances	Potential to Occur on Project Site and Buffer Area
frog				of deep water with dense, shrubby or emergent riparian vegetation. Requires 11 to 20 weeks of permanent water for larval development. Must have access to aestivation habitat, consisting of small mammal burrows and moist leaf litter.	for this species occurs within the buffer area of the proposed Nodes with the exception of Nodes 048A and 061B. No individuals of this species were observed during surveys. This species has not been documented within the boundaries of or in proximity to the proposed project site (CDFW 2014) (see Figure 3).
Foothill yellow-legged frog	<i>Rana boylei</i>	-	CSC	Partly-shaded, shallow streams and riffles with a rocky substrate in a variety of habitats. Need at least some cobble-sized substrate for egg-laying. Require at least 15 weeks to attain metamorphosis.	Potentially present. Potential habitat for this species occurs within the buffer area of the proposed Nodes with the exception of Nodes 048A and 061B. No individuals of this species were observed during surveys. This species has not been documented within the boundaries of or in proximity to the proposed project site (CDFW 2014) (see Figure 3).
San Francisco garter snake	<i>Thamnophis sirtalis tetrataenia</i>	FE	CE/Fully Protected	Lives secretively in wetlands or grasslands near ponds, marshes, and sloughs, where they are likely to retreat into water when disturbed. Usually found around ponds and marshes that support large frog populations.	No Potential. No potential habitat suitable for this species was observed within the proposed project site or buffer area.
<b>Fish</b>					
Tidewater goby	<i>Eucyclogobius newberryi</i>	FE	-	Brackish water habitats along the California coast from Agua Hedionda Lagoon, San Diego County to the mouth of the Smith River. Found in shallow lagoons and lower stream reaches. Require fairly still but not stagnant water and high oxygen levels.	No Potential. No potential habitat suitable for this species was observed within the proposed project site or buffer area.
Delta smelt	<i>Hypomesus transpacificus</i>	FT	CT	Found only from the Suisun Bay upstream within the Delta in Contra Costa, Sacramento, San Joaquin, Solano, and Yolo counties. Shortly before spawning, adults migrate upstream from the brackish-water habitat associated with mixing zone and disperse widely into river channels and tidally	No Potential. No potential habitat suitable for this species was observed within the proposed project site or buffer area.

**Table 1  
Special-Status Species Potentially Occurring in the Proposed Project Site and Buffer Area**

Common Name	Scientific Name	Federal Status	State Status	Habitat/Observances	Potential to Occur on Project Site and Buffer Area
Coho salmon, Central California Coast Population	<i>Oncorhynchus kisutch</i>	FE	CE	influenced backwater sloughs. Spawn in shallow, fresh or slightly brackish water upstream of the mixing zone. Most spawning happens in tidally influenced backwater sloughs and channel edgewater.	Potentially present. Potential habitat for this species occurs within the buffer area of the proposed Nodes with the exception of Nodes 048A and 061B. No individuals of this species were observed during surveys. This species has not been documented within the boundaries of or in proximity to the proposed project site (CDFW 2014) (see Figure 3).
Steelhead – central California coast DPS	<i>Oncorhynchus mykiss irideus</i>	FT	-	Occupy coastal drainages. Coho have an anadromous life cycle. They hatch in freshwater streams, migrate to live for two years in the ocean, and then return to breed, or spawn, in freshwater, almost always returning to the same river in which they were born. Returning adults typically enter freshwater rivers in the late fall, and spawning occurs throughout the fall and winter. Eggs hatch in the early spring, and juveniles then live in the river-bottom gravel for 10 weeks before emerging. After maturing for about a year in freshwater, coho migrate downstream to coastal estuaries and enter the ocean in the spring.	Potentially present. Potential habitat for this species occurs within the buffer area of the proposed Nodes with the exception of Nodes 048A and 061B. No individuals of this species were observed during surveys. This species has been documented within the buffer area of Nodes 047B, 049A, and 050A (CDFW 2014) (see Figure 3).
Chinook salmon (Central Valley Spring Run/Winter Run Chinook salmon, Sacramento Valley)	<i>Oncorhynchus tshawytscha</i>	FT/FE	CT	After maturing for 1 to 3 years in the ocean, adult steelhead typically begin their spawning migration into the Sacramento and San Joaquin Delta System in fall and winter. Adult steelhead enter the mainstem Sacramento River in July, peak in abundance in the fall, and continue migrating through February and March. Juvenile steelhead will remain in fresh water and continue to rear for 1 to 3 years before migrating to the ocean in November through May to mature. Smolt typically migrate to the ocean during March through June.	Potentially present. Potential habitat for this species occurs within the buffer area of the proposed Nodes with the exception of Nodes 048A and 061B. No individuals of this species were observed during surveys. This species has not been documented within the

**Table 1  
Special-Status Species Potentially Occurring in the Proposed Project Site and Buffer Area**

Common Name	Scientific Name	Federal Status	State Status	Habitat/Observances	Potential to Occur on Project Site and Buffer Area
Longfin smelt	<i>Spirinchus thaleichthys</i>	FC	ST	Sacramento and San Joaquin River main streams in February through July. Spring-run Chinook salmon appear to emigrate at 3 different life stages: as fry, fingerlings, or yearlings. Fry may occur between December and January, fingerlings occur from February through May, and yearling spring-run Chinook salmon emigrate from October through February. Central Valley fall run Chinook salmon occupy the major Central Valley river systems. After 2 to 4 years of maturation in the ocean, adult fall-run Chinook salmon return to their natal freshwater streams to spawn. Adult fall-run Chinook salmon enter the Sacramento River system from July through December and spawn from October through December. Juvenile fall-run and late fall-run Chinook salmon may rear from January to June.	No Potential. No potential habitat suitable for this species was observed within the proposed project site or buffer area.
<b>Plants</b>					
San Mateo thorn-mint	<i>Acanthomintha duttonii</i>	FE	CE, List 1B.1	Chaparral, coastal scrub, and valley and foothill grassland. Elevational range: 50 – 200 meters. Blooming period: April through June.	Potentially present. Potential habitat for this species occurs within the proposed project site and buffer area. No individuals of this species were observed during surveys. This species has not been documented within the boundaries of or in proximity to the proposed project site (CDFW 2014) (see Figure 3).
Franciscan onion	<i>Allium peninsulare</i> var. <i>franciscanum</i>	-	List 1B.2	Cismontane woodland, and valley and foothill grassland. Elevational range: 50 to 300 meters. Blooming period: May through June.	Potentially present. Potential habitat for this species occurs within the proposed project site and buffer area. No individuals of this species were observed during surveys. This species



**Table 1  
Special-Status Species Potentially Occurring in the Proposed Project Site and Buffer Area**

Common Name	Scientific Name	Federal Status	State Status	Habitat/Observances	Potential to Occur on Project Site and Buffer Area
Anderson's manzanita	<i>Arctostaphylos andersonii</i>	-	List 1B.2	Broadleaved upland forest, chaparral, and north coast coniferous forest. Elevational range: 180 – 800 meters. Blooming period: November through May.	has not been documented within the boundaries of or in proximity to the proposed project site (CDFW 2014) (see Figure 3). Potentially present. Potential habitat for this species occurs within the proposed project site and buffer area. No individuals of this species were observed during surveys. This species has been documented in the immediate vicinity of proposed Nodes 049A, 050A, and 057A (CDFW 2014) (see Figure 3).
Kings Mountain manzanita	<i>Arctostaphylos regismontana</i>	-	List 1B.2	Broadleaved upland forest, chaparral, and north coast coniferous forest. Elevational range: 305 – 730 meters. Blooming period: January through April.	Potentially present. Potential habitat for this species occurs within the proposed project site and buffer area. No individuals of this species were observed during surveys. This species has not been documented within the boundaries of or in proximity to the proposed project site (CDFW 2014) (see Figure 3).
Coastal marsh milk-vetch	<i>Astragalus pycnostachyus</i> var. <i>pycnostachyus</i>	-	List 1B.2	Coastal dunes, coastal salt marsh, and coastal scrub. Elevational range: 0 –30 meters. Blooming period: April through October.	No Potential. No potential habitat suitable for this species was observed within the proposed project site or buffer area.
Round-leaved filaree	<i>Californica macrophylla</i>	-	List 1B.2	Cismontane woodland, valley and foothill grassland. Found on clay soils. Elevational range: 15 to 1,200 meters. Blooming period: March through May.	Potentially present. Potential habitat for this species occurs within the proposed project site and buffer area. No individuals of this species were observed during surveys. This species has not been documented within the boundaries of or in proximity to the proposed project site (CDFW 2014) (see Figure 3).

**Table 1  
Special-Status Species Potentially Occurring in the Proposed Project Site and Buffer Area**

Common Name	Scientific Name	Federal Status	State Status	Habitat/Observances	Potential to Occur on Project Site and Buffer Area
Brewer's calandrinia	<i>Calandrinia breweri</i>	-	List 4.2	Chaparral and coastal scrub. Elevational range: 10 to 1,220 meters. Blooming period: March through June.	No Potential. No potential habitat suitable for this species was observed within the proposed project site or buffer area.
Oakland star-tulip	<i>Calochortus umbellatus</i>	-	List 4.2	Broadleaved upland forest, chaparral, cismontane woodland, lower montane coniferous forest, and valley and foothill grassland. Elevational range: 100 – 700 meters. Blooming period: March through May.	Potentially present. Potential habitat for this species occurs within the proposed project site and buffer area. No individuals of this species were observed during surveys. This species has not been documented within the boundaries of or in proximity to the proposed project site (CDFW 2014) (see Figure 3).
San Francisco Bay spineflower	<i>Chorizanthe cuspidate</i> var. <i>cuspidata</i>	-	List 1B.2	Coastal bluff scrub, coastal dunes, coastal prairie, and coastal scrub. Elevational range: 3 to 215 meters. Blooming period: April through August.	No Potential. No potential habitat suitable for this species was observed within the proposed project site or buffer area.
Crystal springs fountain thistle	<i>Cirsium fontinale</i> var. <i>fontinale</i>	FE	CE	Valley and foothill grassland and chaparral. Elevational range: 90 – 180 meters. Blooming period: May through October.	Potentially present. Potential habitat for this species occurs within the proposed project site and buffer area. No individuals of this species were observed during surveys. This species has not been documented within the boundaries of or in proximity to the proposed project site (CDFW 2014) (see Figure 3).
Santa Clara red ribbons	<i>Clarkia concinna</i> ssp. <i>automixa</i>	-	List 4.3	Cismontane woodland and chaparral. Elevational range: 90 to 970 meters. Blooming period: April through July.	Potentially present. Potential habitat for this species occurs within the proposed project site and buffer area. No individuals of this species were observed during surveys. This species has not been documented within the boundaries of or in proximity to the proposed project site (CDFW 2014) (see Figure 3).

**Table 1  
Special-Status Species Potentially Occurring in the Proposed Project Site and Buffer Area**

Common Name	Scientific Name	Federal Status	State Status	Habitat/Observances	Potential to Occur on Project Site and Buffer Area
San Francisco collinsia	<i>Collinsia multicolor</i>	-	List 1B.2	Closed-cone coniferous forest and coastal scrub. Elevational range: 30 to 250 meters. Blooming period: March through May.	Potentially present. Potential habitat for this species occurs within the proposed project site and buffer area. No individuals of this species were observed during surveys. This species has not been documented within the boundaries of or in proximity to the proposed project site (CDFW 2014) (see Figure 3).
Clustered lady's-slipper	<i>Cypripedium fasciculatum</i>	-	List 4.2	Serpentine seeps and stream banks in lower montane coniferous forest and north coast coniferous forest. Elevational range: 100 to 2,435 meters. Blooming period: March through August.	Potentially present. Potential habitat for this species occurs within the proposed project site and buffer area. No individuals of this species were observed during surveys. This species has not been documented within the boundaries of or in proximity to the proposed project site (CDFW 2014) (see Figure 3).
Mountain lady slipper	<i>Cypripedium montanum</i>	-	List 4.2	Broadleaved upland forest, cismontane woodland, lower montane coniferous forest, and north coast coniferous forest. Elevational range: 185 to 2225 meters. Blooming period: March through August.	Potentially present. Potential habitat for this species occurs within the proposed project site and buffer area. No individuals of this species were observed during surveys. This species has not been documented within the boundaries of or in proximity to the proposed project site (CDFW 2014) (see Figure 3).
Western leatherwood	<i>Dirca occidentalis</i>	-	List 1B.2	Broadleaved upland forest, chaparral, closed-cone coniferous forest, cismontane woodland, north coast coniferous forest, riparian forest, and riparian woodland. Elevational range: 30 to 550 meters. Blooming period: January through April.	Potentially present. Potential habitat for this species occurs within the proposed project site and buffer area. No individuals of this species were observed during surveys. This species has been documented approximately 1.0 mile east of proposed Node 050A (CDFW 2014) (see Figure 3).
California bottle-brush	<i>Elymus californicus</i>	-	List 4.3	Broadleaved upland forest, cismontane woodland,	Potentially present. Potential habitat

**Table 1  
Special-Status Species Potentially Occurring in the Proposed Project Site and Buffer Area**

Common Name	Scientific Name	Federal Status	State Status	Habitat/Observances	Potential to Occur on Project Site and Buffer Area
grass				north coast coniferous forest, and riparian woodland. Elevational range: 15 to 470 meters. Blooming period: May through November.	for this species occurs within the proposed project site and buffer area. No individuals of this species were observed during surveys. This species has not been documented within the boundaries of or in proximity to the proposed project site (CDFW 2014) (see Figure 3).
Ben Lomond buckwheat	<i>Eriogonum nudum</i> <i>var. decurrens</i>	-	List 1B.1	Chaparral, cismontane woodland, and lower montane coniferous forest. Elevational range: 50 to 800 meters. Blooming period: June through October.	Potentially present. Potential habitat for this species occurs within the proposed project site and buffer area. No individuals of this species were observed during surveys. This species has not been documented within the boundaries of or in proximity to the proposed project site (CDFW 2014) (see Figure 3).
San Mateo woolly sunflower	<i>Eriophyllum</i> <i>latilobum</i>	FE	CE	Cismontane woodland. Often on roadcuts. Elevational range: 45 – 150 meters. Blooming period: May through June.	Potentially present. Potential habitat for this species occurs within the proposed project site and buffer area. No individuals of this species were observed during surveys. This species has not been documented within the boundaries of or in proximity to the proposed project site (CDFW 2014) (see Figure 3).
San Francisco wallflower	<i>Erysimum</i> <i>franciscanum</i>	-	List 4.2	Chaparral, coastal dunes, coastal scrub, and valley and foothill grassland. Elevational range: 0 to 550 meters. Blooming period: March through June.	Potentially present. Potential habitat for this species occurs within the proposed project site and buffer area. No individuals of this species were observed during surveys. This species has not been documented within the boundaries of or in proximity to the proposed project site (CDFW 2014) (see Figure 3).
Fragrant fritillary	<i>Fritillaria liliacea</i>	-	List 1B.2	Coastal scrub, coastal prairie, and valley and foothill	Potentially present. Potential habitat

**Table 1  
Special-Status Species Potentially Occurring in the Proposed Project Site and Buffer Area**

Common Name	Scientific Name	Federal Status	State Status	Habitat/Observances	Potential to Occur on Project Site and Buffer Area
Marin western flax	<i>Hesperolinon congestum</i>	FT	CT, List 1B.1	grassland. Elevational range: 3 to 410 meters. Blooming period: February through April.	for this species occurs within the proposed project site and buffer area. No individuals of this species were observed during surveys. This species has not been documented within the boundaries of or in proximity to the proposed project site (CDFW 2014) (see Figure 3).
Legenere	<i>Legenere limosa</i>	-	List 1B.1	Chaparral, and valley and foothill grassland. Elevational range: 30 to 370 meters. Blooming period: April through July.	Potentially present. Potential habitat for this species occurs within the proposed project site and buffer area. No individuals of this species were observed during surveys. This species has not been documented within the boundaries of or in proximity to the proposed project site (CDFW 2014) (see Figure 3).
Serpentine leptosiphon	<i>Leptosiphon ambiguus</i>	-	List 4.2	Vernal pools. Elevational range: 1 to 880 meters. Blooming period: April through June.	No Potential. No potential habitat suitable for this species was observed within the proposed project site or buffer area.
Crystal Springs lessingia	<i>Lessingia arachnoidea</i>	-	List 1B.2	Cismontane woodland, coastal scrub, and valley and foothill grassland. Found on serpentine. Elevational range: 120 – 1,130 meters. Blooming period: March through June.	Potentially present. Potential habitat for this species occurs within the proposed project site and buffer area. No individuals of this species were observed during surveys. This species has not been documented within the boundaries of or in proximity to the proposed project site (CDFW 2014) (see Figure 3).
				Coastal sage scrub, cismontane woodland, and valley and foothill grassland. Found on grassy slopes on serpentine, sometimes on roadsides. Elevational range: 60 – 200 meters. Blooming period: July through October.	Potentially present. Potential habitat for this species occurs within the proposed project site and buffer area. No individuals of this species were observed during surveys. This species has not been documented within the

**Table 1  
Special-Status Species Potentially Occurring in the Proposed Project Site and Buffer Area**

Common Name	Scientific Name	Federal Status	State Status	Habitat/Observances	Potential to Occur on Project Site and Buffer Area
Woolly-headed lessingia	<i>Lessingia hololeuca</i>	-	List 3.2	Broadleaved upland forest, coastal scrub, lower montane coniferous forest, valley and foothill grassland. Elevational range: 15 to 305 meters. Blooming period: June through October.	boundaries of or in proximity to the proposed project site (CDFW 2014) (see Figure 3). Potentially present. Potential habitat for this species occurs within the proposed project site and buffer area. No individuals of this species were observed during surveys. This species has not been documented within the boundaries of or in proximity to the proposed project site (CDFW 2014) (see Figure 3).
San Mateo tree lupine	<i>Lupinus arboreus var. eximius</i>	-	List 3.2	Chaparral and coastal scrub. Elevational range: 90 to 550 meters. Blooming period: April through July.	No Potential. No potential habitat suitable for this species was observed within the proposed project site or buffer area.
Arcuate bush-mallow	<i>Malacothammus arcuatus</i>	-	List 1B.2	Chaparral. Elevational range: 80 to 355 meters. Blooming period: April through September.	No Potential. No potential habitat suitable for this species was observed within the proposed project site or buffer area.
Davidson's bush mallow	<i>Malacothammus davidsonii</i>	-	List 1B.2	Coastal scrub, riparian woodland, and chaparral. Often found in sandy washes. Elevational range: 180 to 855 meters. Blooming period: June through January.	Potentially present. Potential habitat for this species occurs within the proposed project site and buffer area. No individuals of this species were observed during surveys. This species has not been documented within the boundaries of or in proximity to the proposed project site (CDFW 2014) (see Figure 3).
Hall's bush-mallow	<i>Malacothammus hallii</i>	-	List 1B.2	Chaparral. Elevational range: 10 to 550 meters. Blooming period: May through October.	No Potential. No potential habitat suitable for this species was observed within the proposed project site or buffer area.
Woodland woollythreads	<i>Monolopia gracilens</i>	-	List 1B.2	Chaparral, valley and foothill grassland, cismontane woodland, broadleaved upland forest, and north coast coniferous forest. Elevational range: 100 –	Potentially present. Potential habitat for this species occurs within the proposed project site and buffer area.

**Table 1  
Special-Status Species Potentially Occurring in the Proposed Project Site and Buffer Area**

Common Name	Scientific Name	Federal Status	State Status	Habitat/Observances	Potential to Occur on Project Site and Buffer Area
Dudley's lousewort	<i>Pedicularis dudleyi</i>	-	Rare, List 1B.2	1,200 meters. Blooming period: February through July.	No individuals of this species were observed during surveys. This species has not been documented within the boundaries of or in proximity to the proposed project site (CDFW 2014) (see Figure 3). Potentially present. Potential habitat for this species occurs within the proposed project site and buffer area. No individuals of this species were observed during surveys. This species has not been documented within the boundaries of or in proximity to the proposed project site (CDFW 2014) (see Figure 3).
White-rayed pentachaeta	<i>Pentachaeta bellidiflora</i>	FE	CE, List 1B.1	Valley and foothill grassland, and cismontane woodland. Found on open dry rocky slopes and grassy areas, often on soils derived from serpentine bedrock. Elevational range: 35 – 620 meters. Blooming period: March through May.	Potentially present. Potential habitat for this species occurs within the proposed project site and buffer area. No individuals of this species were observed during surveys. This species has not been documented within the boundaries of or in proximity to the proposed project site (CDFW 2014) (see Figure 3).
White-flowered rein orchid	<i>Piperia candida</i>	-	List 1B.2	North coast coniferous forest, lower montane coniferous forest, and broadleaved upland forest. Elevational range: 0 to 1,200 meters. Blooming period: March through September.	Potentially present. Potential habitat for this species occurs within the proposed project site and buffer area. No individuals of this species were observed during surveys. This species has not been documented within the boundaries of or in proximity to the proposed project site (CDFW 2014) (see Figure 3).
Choris' popcornflower	<i>Plagiobothrys chorisianus</i> var. <i>chorisianus</i>	-	List 1B.2	Chaparral, coastal scrub, and coastal prairie. Elevational range: 15 – 100 meters. Blooming period: March through June.	No Potential. No potential habitat suitable for this species was observed within the proposed project site or

**Table 1  
Special-Status Species Potentially Occurring in the Proposed Project Site and Buffer Area**

Common Name	Scientific Name	Federal Status	State Status	Habitat/Observances	Potential to Occur on Project Site and Buffer Area
Lobb's aquatic buttercup	<i>Ranunculus lobbii</i>	-	List 4.2	Cismontane woodland, north coast coniferous forest, valley and foothill grassland, and vernal pools. Elevational range: 15 – 470 meters. Blooming period: February through May.	Potentially present. Potential habitat for this species occurs within the proposed project site and buffer area. No individuals of this species were observed during surveys. This species has not been documented within the boundaries of or in proximity to the proposed project site (CDFW 2014) (see Figure 3).
San Francisco campion	<i>Silene verecunda</i> ssp. <i>verecunda</i>	-	List 1B.2	Coastal scrub, valley and foothill grassland, coastal bluff scrub, chaparral and coastal prairie. Elevational range: 30 – 645 meters. Blooming period: March through August.	Potentially present. Potential habitat for this species occurs within the proposed project site and buffer area. No individuals of this species were observed during surveys. This species has not been documented within the boundaries of or in proximity to the proposed project site (CDFW 2014) (see Figure 3).
Long-beard lichen	<i>Usnea longissima</i>	-	-	North coast coniferous forest and broadleaved upland forest. Grows in the redwood zone on a variety of tree including big leaf maple, oaks, ash, Douglas fir, and bay. Elevational range: 50 – 1,460 meters. Blooming period: non-flowering.	Potentially present. Potential habitat for this species occurs within the proposed project site and buffer area. No individuals of this species were observed during surveys. This species has not been documented within the boundaries of or in proximity to the proposed project site (CDFW 2014) (see Figure 3).
<b>Sensitive Vegetative Communities</b>					
Northern Central Coast California Roach/Stickleback/Steelhead Stream (Present in project buffer area)					
North Central Coast Steelhead/Sculpin Stream (Present in project buffer area)					
Serpentine bunchgrass (Not present)					



**Status Codes:**

**Federal**

FE = Federally listed as Endangered  
FT = Federally listed as Threatened  
FC = Federal Candidate species

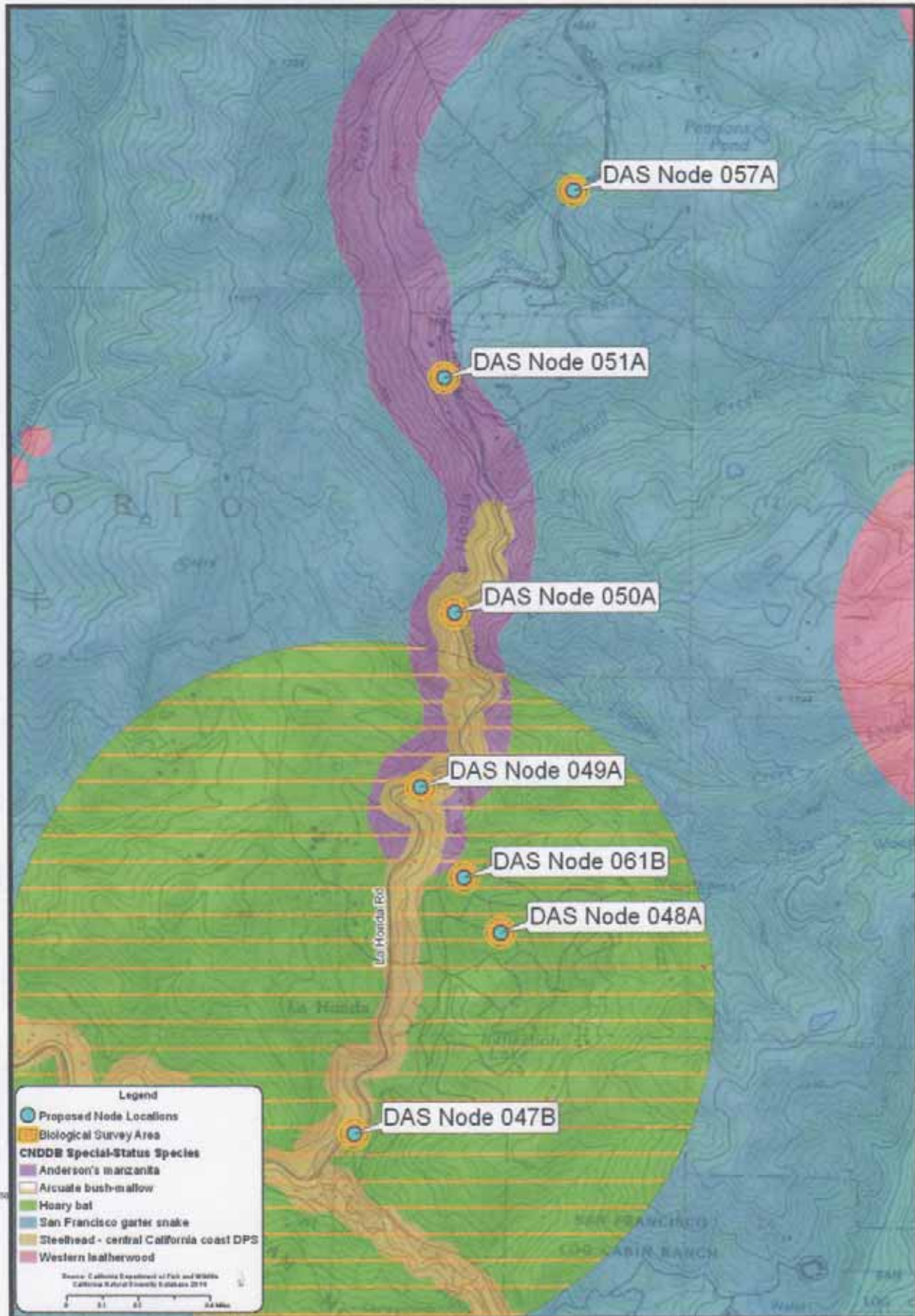
**State**

CE = California listed as Endangered  
CT = California listed as Threatened  
CR = California listed as Rare  
CFP = California Fully Protected  
SSC = Species of Special Concern  
WL = CDFW Watch List

**California Rare Plant Rank (formerly known as CNPS Lists)**

California Rare Plant Rank 1A = Plants presumed extinct in California  
California Rare Plant Rank 1B = Plants rare, threatened, or endangered in California and elsewhere  
California Rare Plant Rank 2A = Plants presumed extirpated from California, but more common elsewhere  
California Rare Plant Rank 2B = Plants rare or endangered in California, but more common elsewhere  
California Rare Plant Rank 3 = Plants about which we need more information; a review list  
California Rare Plant Rank 4 = Plants of limited distribution; a watch list.  
California Rare Plant Rank Rarity Status of .1 = Seriously endangered in California  
California Rare Plant Rank Rarity Status of .2 = Fairly endangered in California

Status, distribution, and habitat information from the California Department of Fish and Wildlife (CDFW) California Natural Diversity Database RareFind 5 (CDFW 2014); California Native Plant Society, California Rare Plant Electronic Inventory (CNPS 2014); and USFWS Online Endangered Species Database (USFWS 2014).



**Plant Species Surveys and Identification:** Surveys to identify special-status plant species were conducted for the proposed project site on April 22, 2014. These surveys were floristic in nature and were completed concurrent with surveys to detect sensitive wildlife species. Surveys were conducted in accordance with the USFWS *Guidelines for Conducting and Reporting Botanical Inventories for Federally Listed, Proposed, and Candidate Plants* (USFWS 2000) and the CDFW *Protocols for Surveying and evaluating impacts to special-status native plant populations and natural communities* (CDFG 2009). Rare plant surveys were also performed using demographic survey techniques derived from the CNPS rare plant monitoring guidelines (CNPS 2011). These guidelines include conducting floristically based surveys, identifying all plants encountered to the species level, or identifying to the level necessary to detect rare plants if present.

We surveyed 30 to 50 feet wide transects within the proposed project site and a 500 foot buffer area surrounding the project site. We identified vascular plant species encountered in the surveys using standard manuals (Hickman 1996). Scientific nomenclature used for plant species in this report follows Hickman (1996) and we used modifications of Cheatham and Haller (1975) and Holland (1986) to describe habitat types found in the proposed project site and buffer area. Animal species observed during biological surveys are listed in Table 2. Plant species identified are discussed in the text of the report.

## **RESULTS AND DISCUSSION**

Results of our biological surveys for the proposed project site and buffer area are presented below. Animal species observed during biological surveys are listed in Table 2. Plant species identified are discussed in the text of the report. The following discussion describes habitat types that occur in the project site and focuses on special-status wildlife species that could potentially occur within the proposed project site, based on site conditions observed at the time of our surveys. Special-status species that were not identified on the USFWS, CDFW, or CNPS species lists for the La Honda, Mindogo Hill, and Woodside quadrangles are not addressed in this document.

### **HABITAT TYPES**

The proposed project site and buffer area lies within USFWS designated critical habitat for California red-legged frog and steelhead (USFWS 2014b). Habitat types observed during our biological field surveys are briefly described below.

**Redwood.** This vegetative community was observed in the buffer area of Nodes 047B, 049A, 050A, and 057A. The redwood vegetative community is restricted to coastal areas of California where temperature regimes are relatively stable and within the influence of summer coastal fog and inland marine air flows. This community is often comprised of redwoods and other conifers and hardwood tree species. Physical stand features vary from old growth characteristics of uniform size and height, dense crown, with dense understory shrubs; second-growth structure of even-aged trees with an open, park-like appearance; and stands intermixed with annual grassland and/or other forest communities. Common dominant and subdominant plant species that were observed within this vegetative community during biological surveys included: five-finger fern

(*Adiantum aleuticum*), California maidenhair (*Adiantum jordanii*), madrone (*Arbutus menziesii*), coastal lady fern (*Athyrium filix-femina* var. *cyclosorum*), coastal wood fern (*Dryopteris arguta*), alum-root (*Heuchera micrantha*), tanbark oak (*Lithocarpus densiflorus* var. *densiflorus*), wood-sorrel (*Oxalis albicans* ssp. *pilosa*), redwood sorrel (*Oxalis oregano*), ninebark (*Physocarpus capitatus*), Douglas-fir (*Pseudotsuga menziesii* var. *menziesii*), bracken fern (*Pteridium aquilinum* var. *pubescens*), western rhododendron (*Rhododendron macrophyllum*), western azalea (*Rhododendron occidentale*), redwood (*sequoia sempervirens*), huckleberry (*Vaccinium ovatum*), redwood violet (*Viola sempervirens*), and western chain fern (*Woodwardia fimbriata*).

Redwood forest provides food, cover, and special habitat elements for 193 wildlife species. This total is comprised of 12 reptiles, 18 amphibians, 109 birds, and 54 mammals. Of these species, 18 are considered harvest species. Moreover, this habitat type provides habitat for a variety of sensitive species. Species such as the red-legged frog (*Rana aurora draytonii*), osprey (*Pandion haliaetus*), fisher (*Martes pennanti*) and marbled murrelet (*Brachyramphus marmoratus*) show a relatively high preference for various redwood habitat phases and stages. To a minor extent, sensitive species such as the peregrine falcon (*Falco peregrinus*), pileated woodpecker (*Dryocopus pileatus*), spotted owl (*Strix occidentalis*), and northern flying squirrel (*Glaucomys sabrinus*) can be found, but are usually vagrants in the habitat. Common wildlife species found in this community include California slender salamander (*Batrachoseps attenuatus*), Pacific giant salamander (*Dicamptodon ensatus*), northern rough-skinned newt (*Taricha granulose*), Pacific tree frog (*Hyla regilla*), chestnut-backed chickadee (*Parus rufescens*), winter wren (*Troglodytes troglodytes*), Stellar's jay (*Cyanocitta stelleri*), varied thrush (*Ixoreus naevius*), big brown bat (*Eptesicus fuscus*), chickaree (*Tamiasciurus douglasii*), black bear (*Ursus americanus*), bobcat (*Lynx rufus*), and gray fox (*Urocyon cinereoargenteus*).

**Montane Hardwood Forest.** This vegetative community was observed in the buffer area of proposed Nodes 048A, 051A, 057A and 061B. The montane hardwood vegetative community occurs within the project study area intermixed in upland areas with annual grassland and intergrades with the redwood and montane riparian vegetative communities. Montane hardwood habitat is composed of a pronounced hardwood tree layer, with an infrequent and poorly developed shrub stratum, and a sparse herbaceous layer. In mature stands, the hardwood tree canopy tends to be uniform, but is subordinate to conifers. A very stable community, the large number of species in the type, both conifer and hardwood, allow it to occupy and persist on a wide range of sites. Common dominant and subdominant plant species that were observed within this vegetative community during biological surveys included: five-finger fern (*Adiantum aleuticum*), California maidenhair (*Adiantum jordanii*), California buckeye (*Aesculus californica*), madrone (*Arbutus menziesii*), California pipe-vine (*Aristolochia californica*), wild ginger (*Asarum caudatum*), coastal lady fern (*Athyrium filix-femina* var. *cyclosorum*), milk maids (*Cardamine californica* var. *californica*), Indian paintbrush (*Castilleja subinclusa* ssp. *franciscana*), red larkspur (*Delphinium nudicaule*), coastal wood fern (*Dryopteris arguta*), mission bells (*Fritillaria affinis* var. *affinis*), climbing bedstraw (*Galium porrigens* var. *porrigens*), tanbark oak (*Lithocarpus densiflorus* var. *densiflorus*), wood-sorrel (*Oxalis albicans* ssp. *pilosa*), ninebark (*Physocarpus capitatus*), western sword fern (*Polystichum munitum*), Douglas-fir (*Pseudotsuga menziesii* var. *menziesii*), braken fern (*Pteridium aquilinum* var. *pubescens*), coast live oak (*Quercus agrifolia* var. *agrifolia*), canyon live oak (*Quercus chrysolepis*), western rhododendron (*Rhododendron macrophyllum*), western azalea

(*Rhododendron occidentale*), wood rose (*Rosa gymnocarpa*), redwood (*Sequoia sempervirens*), checkerbloom (*Sidalcea malviflora*), huckleberry (*Vaccinium ovatum*), periwinkle (*Vinca major*), western chain fern (*Woodwardia fimbriata*), and coast range mule ears (*Wyethia glabra*). Bird and animal species typically found in montane hardwood forest include disseminators of acorns (scrub and Steller's [*Cyanocitta stelleri*]) jays, acorn woodpecker [*Melanerpes formicivorus*], and western gray squirrel [*Sciurus griseus*]), plus those that utilize acorns as a major food source including wild turkey (*Meleagris gallopavo*), mountain quail (*Oreortyx pictus*), band-tailed pigeon (*Columba fasciata*), California ground squirrel (*Spermophilus beecheyi*), duskyfooted woodrat (*Neotoma fuscipes*), and black-tailed deer (*Odocoileus hemionus*). Many amphibians and reptiles are found on the forest floor in the montane hardwood community. Among them are ensatina (*Ensatina eschscholtzii*), relictual slender salamander (*Batrachoseps relictus*), and western fence lizard (*Sceloporus occidentalis*). Snakes include rubber boa (*Charina bottae*), western rattlesnake (*Crotelus atrox*), and sharp-tailed snake (*Contia tenuis*).

**Montane Riparian.** This vegetative community was observed within the buffer area of proposed Nodes 047B, 049A, and 050A. The montane riparian vegetative community is quite variable and often structurally diverse. Vegetation generally occurs as a narrow, often dense grove of broad-leaved, winter deciduous trees up to 100 feet tall with a sparse understory. Water flow in these habitats is both perennial and ephemeral. Common dominant and subdominant plant species that were observed within this vegetative community during biological surveys included: California buckeye (*Aesculus californica*), white alder (*Alnus rhombifolia*), California pipe-vine (*Aristolochia californica*), Douglas' mugwort (*Artemisia douglasiana*), winter cress (*Barbarea orthoceras*, *Barbarea verna*), sedge (*Carex amplifolia*, *Carex densa*), woodland sedge (*Carex globosa*), torrent sedge (*Carex nudata*), creek dogwood (*Cornus sericea* var. *sericea*), California hazel (*Corylus cornuta* var. *californica*), umbrella sedge (*Cyperus eragrostis*), giant horsetail (*Equisetum telmateia* ssp. *braunii*), toad rush (*Juncus bufonius* var. *bufonius*), rush (*Juncus effuses*, *Juncus patens*), bush monkeyflower (*Mimulus aurantiacus*), water cress (*Rorippa nasturtium-aquaticum*), Himalayan blackberry (*Rubus discolor*), California blackberry (*Rubus ursinus*), arroyo willow (*Salix lasiolepis*), Sitka willow (*Salix sitchensis*), bulrush (*Scirpus microcarpus*), California bay (*Umbellularia californica*), huckleberry (*Vaccinium ovatum*). Montane riparian forest habitat provides essential resources for both resident wildlife species and those living in adjacent habitats. Riparian habitats provide water, forage, breeding areas, migration and dispersal corridors, and thermal cover on a year-round and seasonal basis for an abundance of wildlife. Amphibians and reptiles that typically use this habitat include the foothill yellow-legged frog (*Rana boylei*), western pond turtle (*Clemmys marmorata*), and several species of garter snake. Mesic areas with shallow pools may support the California newt (*Taricha torosa*), black-bellied salamander (*Batrachoseps nigriventris*), and Pacific salamander (*Batrachoseps pacificus*). Mammals that use this habitat for foraging and cover include Audubon's cottontail (*Sylvilagus audubonii*), ringtail (*Bassariscus astutus*), raccoon, opossum (*Didelphis virginianus*), several species of skunk (family Mephitidae), mule deer (*Odocoileus hemionus columbianus*), coyote (*Canis latrans*), bobcat (*Lynx rufus*), and mountain lion (*Puma concolor*). Birds that typically use this habitat include the cliff swallow (*Hirundo pyrrhonota*), black phoebe (*Sayornis nigricans*), rock wren (*Salpinctes obsoletus*), yellow-breasted chat (*Icteria virens*), Anna's hummingbird (*Calypte anna*), killdeer (*Charadrius vociferus*), American dipper (*Cinclus mexicanus*), and several species of sparrow.

**Annual Grassland.** The annual grassland vegetative community was observed adjacent and to the south of the Node 48A site. This vegetative community makes up a small proportion of the Project site and buffer area. This plant community is generally composed of introduced grasses and broadleaf weedy species, which quickly re-colonize disturbed areas. Common dominant and subdominant plant species that were observed within this vegetative community during biological surveys included: yarrow (*Achillea millefolium*), three corner leak (*Allium triquetrum*), fiddleneck (*Amsinckia menziesii* var. *intermedia*), slim oat (*Avena barbata*), soft chess (*Bromus hordeaceus*), weeping brome (*Bromus laevipes*), morning-glory (*Calystegia purpurata* var. *purpurata*), bull thistle (*Cirsium vulgare*), bindweed (*Convolvulus arvensis*), northern willow herb (*Epilobium ciliatum* ssp. *ciliatum*), broad-leaf filaree (*Erodium botrys*), red-stem filaree (*Erodium cicutarium*), California poppy (*Eschscholzia californica*), fennel (*Foeniculum vulgare*), French broom (*Genista monspessulana*), perennial ryegrass (*Lolium perenne*), bur clover (*Medicago polymorpha*), bristly ox tongue (*Picris echioides*), common plantain (*Plantago major*), radish (*Raphanus sativus*), and dandelion (*Taraxacum officinale*). Annual grasslands within and adjacent to the project site provides moderate habitat value for wildlife. This habitat type has the potential to support a variety of small mammals and provides important foraging habitat for raptors and other bird species. Birds commonly found in annual grasslands include Cooper's hawk (*Accipiter cooperii*), red-tailed hawks (*Buteo jamaicensis*), red-winged blackbird, coyote (*Canis latrans*), house finch (*Carpodacus mexicanus*), turkey vulture (*Cathartes aura*), killdeer (*Charadrius vociferus*), common raven (*Corvus corax*), Brewer's blackbirds (*Euphagus cyanocephalus*), American kestrels (*Falco sparverius*), black-tailed jackrabbit (*Lepus californicus*), wild turkey (*Meleagris gallopavo*), northern mockingbird (*Mimus polyglottos*), western fence lizard (*Sceloporus occidentalis*), western bluebird (*Sialia mexicana*), western meadowlark (*Sturnella neglecta*), California ground squirrels (*Spermophilus beecheyi*), and Botta's pocket gophers (*Thomomys bottae*).

**Stream.** The stream community is distinguished by intermittent or continually running water. A stream originates at some elevated source and flows downward at a rate relative to slope or gradient and the volume of surface runoff or discharge. As elevation decreases, velocity and oxygen levels also decrease, while turbidity, temperature, volume, and fine bottom sediments all tend to increase. All streams at some time experience very low flow and some streams, called ephemeral, dry up seasonally every year. Riparian and wetland vegetation are found adjacent to many streams. Most wetland plant species are restricted to the margins of lower elevations. Common dominant and subdominant plant species observed in relation to this community are further described under freshwater emergent wetland and montane riparian forest. This community was observed within stream channels within the buffer area of the proposed Nodes with the exception of Nodes 048A and 061B.

The open water zones of streams provide resting and escape cover for many species of waterfowl. Gulls (family Laridae), terns (family Sternidae), osprey (*Pandion haliaetus*) and bald eagle (*Haliaeetus leucocephalus*) hunt in open water. Near-shore waters provide food for waterfowl, herons (family Ardeidae), shorebirds, belted kingfisher (*Ceryle alcyon*) and American dipper (*Cinclus mexicanus*). Many species of insectivorous birds (swallows [family Hirundinidae], and flycatchers [family Muscicapidae]) catch their prey over water. Some of the more common mammals found in watercourse habitats include river otter (*Lutra canadensis*),

mink (*Mustela vison*), muskrat (*Pliopotamys minor*), and beaver (*Castor canadensis*). Larger streams in the Project area have the potential to support special-status fish species such as steelhead (*Oncorhynchus mykiss*), Chinook salmon (*Oncorhynchus tshawytscha*), and coho salmon (*Oncorhynchus kisutch*). These species have been historically known to occur in the general Project area.

Common wildlife species observed in this community during surveys are described further under the montane riparian community description.

**Ruderal/Disturbed.** All seven (7) node locations were observed in this vegetative community immediately adjacent to the other natural vegetative communities located in the project buffer area. The ruderal/disturbed vegetative community type was identified throughout the Project alignment wherever disturbed soils occurred, active land uses were present, or active land uses were absent where disturbance had occurred in the recent past. Common vegetative species found in this community were composed of weedy non-native and weedy native species. Although often comprised of non-native plant species, ruderal habitats, particularly at edges of natural communities, can provide foraging habitat for many species of birds and mammals.

## **SPECIAL-STATUS BIOLOGICAL RESOURCES**

Through a literature review and an electronic search of the CNDDDB, CNPS and USFWS databases, 26 special-status wildlife and invertebrate species and 37 special-status plant species were identified that occur in or may be affected by projects in the La Honda, Mindego Hill, and Woodside quadrangles (an area measuring approximately 210 square miles). Table 1 provides a list of these special-status species, and includes a brief analysis of their potential to occur in the project site and buffer area.

Based on habitats present and the environmental conditions observed during biological surveys, RAB Consulting determined that 29 special-status plant species and 15 wildlife species have the potential to occur in either the proposed project site and buffer area. No special-status species have been previously documented within the boundaries of the proposed project site; however, six (6) special-status species have been historically recorded in proximity to the proposed project site and buffer area (see Figure 3) (CDFW 2014). No special-status species were observed during biological surveys. Special-status species are not anticipated to occur in the project site as a result of historic land conversion and the presence of ruderal vegetation and no native habitat. However, they have the potential to be present in the project buffer area.

### **Long eared owl**

Suitable foraging and nesting habitat was observed in the proposed project site and buffer area during biological surveys. No sign of this species, including individual owls, was observed during biological surveys, including active nesting sites. This species has not been documented within the boundaries of or in proximity to the proposed project site (CDFW 2014) (see Figure 3).

### **Marbled Murrelet**

Suitable foraging and nesting habitat was observed in the proposed project buffer area during biological surveys. However, no sign of this species, including individual murrelets, was observed during biological surveys, including active nesting sites. This species has not been documented within the boundaries of or in proximity to the proposed project site (CDFW 2014) (see Figure 3).

### **Pallid and Hoary Bat**

Suitable foraging habitat was observed in the proposed project site and buffer area during biological surveys. Suitable roosting/maternity habitat was observed within the project buffer area during biological surveys. However, no sign of this species, including individual bats or roosting/maternity sites were observed during biological surveys. These species have not been documented within the boundaries of or in proximity to the proposed project site (CDFW 2014) (see Figure 3).

### **San Francisco Dusky-Footed Woodrat**

Suitable foraging and nesting habitat was observed in the proposed project buffer area during biological surveys. No suitable habitat was observed within the project site during surveys. No sign of this species, including nesting sites, was observed during biological surveys. This species has not been documented within the boundaries of or in proximity to the proposed project site (CDFW 2014) (see Figure 3).

### **Edgewood Blind Harvestman and Edgewood Park Micro-Blind Harvestman**

Suitable habitat for these species was observed adjacent to and south of the Node 48A site within the project buffer area. No sign of these species was observed during biological surveys. This species has not been documented within the boundaries of or in proximity to the proposed project site (CDFW 2014) (see Figure 3).

### **Unsilvered Fritillary**

Suitable habitat for these species was observed in the proposed project site and buffer area during biological surveys. No sign of this species was observed during biological surveys. This species has not been documented within the boundaries of or in proximity to the proposed project site (CDFW 2014) (see Figure 3).

### **Coho Salmon, Steelhead, and Chinook Salmon**

Suitable habitat for these species was observed within the buffer area of the proposed Nodes with the exception of Nodes 048A and 061B. No suitable habitat was found within the proposed project site during surveys. These species were not observed during biological surveys. These species have not been documented within the boundaries of or in proximity to the proposed



project site (CDFW 2014) (see Figure 3). The proposed project site lies within USFWS designated critical habitat for steelhead.

### **California Tiger Salamander**

Potential upland aestivation habitat (annual grassland) was observed adjacent to and south of the Node 048A site within the project buffer area. No other suitable aestivation habitat was observed during biological surveys. No potential burrows or cracks that California tiger salamander could use during aestivation activities were observed within the proposed project site or buffer area during biological surveys. No suitable aquatic breeding habitat for California tiger salamander is present in Node 048A site or buffer area. No individuals were observed in the proposed project site or buffer area during our biological surveys. This species has not been previously documented in the proposed project site or buffer area in the CNDDDB (CDFW 2014). Based on a lack of aquatic breeding habitat and burrows potentially suitable for aestivation in the proposed project site, California tiger salamander is not expected to be present within the proposed project site or buffer area.

### **Western Pond Turtle, California Red-Legged Frog, and Foothill Yellow-Legged Frog**

Suitable aquatic foraging habitat for these species was observed within the buffer area of the proposed Nodes with the exception of Nodes 048A and 061B. Suitable upland aestivation habitat was observed in the buffer area of all the Node sites during biological surveys. No suitable foraging or aestivation habitat was found within the proposed project site during surveys. No potential burrows or cracks that California red-legged frog and foothill yellow-legged frog could use during aestivation activities were observed during biological surveys. These species were not observed during biological surveys. These species have not been documented within the boundaries of or in proximity to the proposed project site (CDFW 2014) (see Figure 3).

### **Incidental Wildlife**

Animal species observed during biological surveys are listed in Table 2. Plant species identified are discussed in the text of the report. A few avian species protected under the Federal Migratory Bird Treaty Act were observed during biological surveys (see Table 2). In the event that migratory birds become established in the project site or buffer area prior to project implementation, avoidance measures are included as recommendations in this report.

### **SPECIAL-STATUS PLANTS**

Based on literature and database reviews, no special-status plant species have the potential to occur in the proposed project site due to the lack of native vegetation (ruderal vegetation was the only vegetative community observed within the proposed project site). No suitable habitat for special-status plants is present within the proposed project site. Based on the habitat requirements of targeted plant species, and the lack of native vegetative communities, Synthesis Planning determined that special-status plant species are not expected to occur or become established in the proposed project site prior to project implementation. Therefore, no impacts to special-status plants would result from project implementation.

**Table 2**  
**List of Animal Species Observed During Biological Surveys**

Scientific name	Common name
<i>Corvus corax</i>	Common raven
<i>Passer domesticus</i>	House sparrow
<i>Sceloporus occidentalis</i>	Western fence lizard
<i>Sciurus carolinensis</i>	Gray squirrel
<i>Turdus migratorius</i>	American robin
<i>Zenaida macroura</i>	Mourning dove

**ANALYSIS OF POTENTIAL IMPACTS**

**Potential Impacts to Common Wildlife and Plant Populations from Project Activities**

Direct mortality or injury to common wildlife and plant populations could occur during ground disturbance activities associated with implementation of the project. Small vertebrate, invertebrate, and plant species are particularly prone to impact during project implementation because they are much less mobile, and cannot easily move out of the path of project activities. Other more mobile wildlife species, such as most birds and larger mammals, can avoid project-related activities by moving to other adjacent areas temporarily. Increased human activity and vehicle traffic in the vicinity may disturb some wildlife species. However, common wildlife species have likely become acclimated to on-going residential and transportation activities. Because common wildlife species found in the project area are locally and regionally common, potential impacts to these resources are considered less than significant. Therefore, no avoidance or minimization measures are proposed at this time.

**Potential Impacts to Nesting Special-Status Avian Species from Project Activities**

Implementation of the proposed project could potentially impact individual and nesting migratory birds, raptor species, long-eared owl, and marbled murrelet should they become established within the proposed project site or buffer area prior to project implementation. Impacts to migratory bird species could occur through crushing by construction equipment during implementation of project activities. Actively nesting birds could also be affected due to noise and vibration from project activities, if nests are located close enough to project activities. Project related noise and vibration could cause the abandonment of active nest sites. Impacts to these species would be considered significant. In the event that nesting birds become established in the proposed project site or buffer area, avoidance and minimization measures to protect these species from potential impacts are described further in the *Proposed Avoidance and Minimization Measures* section.

**Potential Impacts to Special-Status Bat Species from Project Activities**

Implementation of the proposed project could potentially result in significant impacts on bat maternity sites (pallid and hoary bats) if these species are present in the project site or buffer area during implementation of the project and if they have established maternity or roosting sites. Impacts to bat maternity/roost sites would occur primarily from noise and vibration created from

project construction equipment and construction related activities. Noise and vibration could lead to these bat species abandoning established roost/maternity sites. Impacts to these species would be considered significant. In the event that bat roost/maternity sites become established in the proposed project site or buffer area prior to project implementation, avoidance and minimization measures to protect these species from potential impacts are described further in the *Proposed Avoidance and Minimization Measures* section.

### **Potential Impacts to Dusky-Footed Woodrat from Project Activities**

The proposed project would not result in any impacts on dusky-footed woodrat. The proposed project has been designed to avoid any impacts to natural vegetative communities which could provide habitat for these special-status wildlife species. The proposed project will be constructed completely within ruderal and previously disturbed areas. No project activities will take place directly in any natural habitat areas that would contain habitat for this species. Therefore, no impacts to dusky-footed woodrat are anticipated due to project implementation, and no avoidance or minimization measures are required.

### **Potential Impacts to Special-Status Invertebrate Species from Project Activities**

The proposed project would not result in any impacts on special-status invertebrate species (i.e., edgewood blind harvestman, edgewood park micro-blind harvestman, and unsilvered fritillary). The proposed project has been designed to avoid any impacts to stream channels, water bodies, annual grassland, and other natural vegetative communities which could provide habitat for these special-status wildlife species. The proposed project will be constructed completely within ruderal and previously disturbed areas. No project activities will take place directly in any natural habitat areas that would contain habitat for these species. Therefore, no impacts to special-status invertebrate species are anticipated due to project implementation, and no avoidance or minimization measures are required.

### **Potential Impacts to Special-Status Amphibian and Reptile Species from Project Activities**

The proposed project would not result in any impacts on special-status amphibian and reptile species (i.e., California tiger salamander, western pond turtle, California red-legged frog, and foothill yellow-legged frog). The proposed project has been designed to avoid any impacts to stream channels, water bodies, annual grassland, and other natural vegetative communities which could provide habitat for these special-status wildlife species. The proposed project will be constructed completely within ruderal and previously disturbed areas. No project activities will take place directly in any natural habitat areas that would contain habitat for these species. Therefore, no impacts to special-status amphibian and reptile species are anticipated due to project implementation, and no avoidance or minimization measures are required.

### **Potential Impacts to Special-Status Fish Species from Project Activities**

The proposed project would not result in any impacts on special-status fish species (i.e., coho salmon, steelhead, and Chinook salmon). The proposed project has been designed to avoid any impacts to any stream channels adjacent to the proposed work. No project activities will take

place directly in any stream channels that would contain habitat for these species. Therefore, no impacts to special-status fish species are anticipated due to project implementation, and no avoidance or minimization measures are required.

## **PROPOSED AVOIDANCE AND MINIMIZATION MEASURES**

Implementation of the following avoidance and minimization measures is recommended to avoid or reduce potential impacts to special-status wildlife and plant species:

1. Environmental Awareness Training shall be presented to all personnel working in the field on the proposed project site. Training shall consist of a brief presentation in which biologists knowledgeable of endangered species biology and legislative protection shall explain endangered species concerns. Training shall include a discussion of special-status plants and sensitive wildlife species. Species biology, habitat needs, status under the Endangered Species Act, and measures being incorporated for the protection of these species and their habitats shall also be discussed.
2. As close to the beginning of project activities as possible, but not more than 14 days prior, a qualified biologist shall conduct a final pre-construction survey of the proposed project site and buffer area to verify that no special-status wildlife species have become established in the project site or buffer area. A qualified biologist shall be present immediately prior to project activities that have potential to impact sensitive species to identify and protect potentially sensitive resources.
3. Project site boundaries shall be clearly delineated by stakes and /or flagging to minimize inadvertent degradation or loss of adjacent habitat during project operations. Staff and/or its contractors shall post signs and/or place fence around the project site to restrict access of vehicles and equipment unrelated to drilling operations.
4. If ground disturbing activities occur during the breeding season of migratory avian or raptor species (February through mid-September), surveys for active nests will be conducted by a qualified biologist no more than 10 days prior to start of activities. Pre-construction nesting surveys shall be conducted for nesting migratory avian and raptor species in the project site and buffer area. Pre-construction biological surveys shall occur prior to the proposed project implementation, and during the appropriate survey periods for nesting activities for individual avian species. Surveys will follow required CDFW and USFWS protocols, where applicable. A qualified biologist will survey suitable habitat for the presence of these species. If a migratory avian or raptor species is observed and suspected to be nesting, a buffer area will be established to avoid impacts to the active nest site. Identified nests should be continuously surveyed for the first 24 hours prior to any construction-related activities to establish a behavioral baseline. If no nesting avian species are found, project activities may proceed and no further mitigation measures will be required. If active nesting sites are found, the following exclusion buffers will be established, and no project activities will occur within these buffer zones until young birds have fledged and are no longer reliant upon the nest or parental care for survival.

- Minimum no disturbance of 250 feet around active nest of non-listed bird species and 250 foot no disturbance buffer around migratory birds;
  - Minimum no disturbance of 500 feet around active nest of non-listed raptor species;
  - and 0.5-mile no disturbance buffer from listed species and fully protected species until breeding season has ended or until a qualified biologist has determined that the birds have fledged and are no longer reliant upon the nest or parental care for survival.
  - Once work commences, all nests should be continuously monitored to detect any behavioral changes as a result of project activities. If behavioral changes are observed, the work causing that change should cease and the appropriate regulatory agencies (i.e. CDFW, USFWS, etc.) shall be consulted for additional avoidance and minimization measures.
  - A variance from these no disturbance buffers may be implemented when there is compelling biological or ecological reason to do so, such as when the project area would be concealed from a nest site by topography. Any variance from these buffers is advised to be supported by a qualified wildlife biologist and is recommended that CDFW and USFWS be notified in advance of implementation of a no disturbance buffer variance.
5. Pre-construction nesting surveys shall be conducted for special-status avian species (long-eared owl and marbled murrelet) in the project site and buffer area. Pre-construction surveys will be conducted prior to the implementation of the specific phases of the proposed project during the appropriate survey periods for each species. Surveys will follow required CDFW and USFWS protocols where applicable. A qualified biologist will survey suitable habitat for the presence of these species.

If a special-status bird species is observed and suspected or known to be nesting, an exclusion buffer area will be established to avoid impacts on the active nest site. If no nesting special-status avian species are found, project activities may proceed and no further mitigation measures will be required. If active nesting sites are found, the following exclusion buffers will be established, and no project activities will occur within these buffer zones until young birds have fledged:

#### Long-Eared Owl

Long-eared owls typically nests and rears young from March through May. If this species is found to be nesting, impacts will be avoided and minimized by establishing a 200-foot buffer around active nesting sites. No Project related activities would be allowed to occur within this buffer until young have fledged or the species are no longer attempting to nest. The buffer area can be removed prior to May if a qualified biologist determines that all juveniles have fledged from occupied nests.

#### Marbled Murrelet

Marbled murrelets typically nest and rear young from mid-April through September. In order to avoid and minimize impacts on nesting marbled murrelet during project

implementation, a 330-foot buffer will be established around active nesting sites when project activities will occur during their breeding and nesting period. No project activities will be allowed to occur within this zone. The buffer area can be removed prior to September if a qualified biologist determines that all juveniles have fledged from occupied nests.

6. Pre-activity surveys will be conducted for pallid bat and hoary bat and their roosting/maternity sites in the project buffer area. No potential roosting/maternity habitat was observed within the proposed project site. If a bat roosting/maternity site is identified during these survey or suspected to be present, a buffer area will be established to avoid impacts on the burrow/maternity site, and subsequently the bat species. The following exclusion zone will apply:
  - 300 feet for known or potential maternity roosting site
6. A project representative shall establish restrictions on project-related traffic to approved project areas, storage areas, staging and parking areas via signage. Off-road traffic outside of designated project site shall be prohibited.
7. Project-related traffic shall observe a 15 mph speed limit in the project site except on County roads and State and federal highways to avoid impacts to special-status and common wildlife species.
8. Hazardous materials, fuels, lubricants, and solvents that spill accidentally during project-related activities shall be cleaned up and removed from the project as soon as possible according to applicable federal, state and local regulations.
9. All equipment storage and parking during site development and operation shall be confined to the proposed project site or other offsite previously disturbed areas.
10. All excavated steep-walled holes or trenches in excess of three (3) feet in depth shall be provided with one or more escape ramps constructed of earth fill to prevent entrapment of endangered species or other animals. Ramps shall not be less than 45-degree angles. Trenches shall be inspected for entrapped wildlife each morning prior to onset of project activities and immediately prior to the end of each working day. Before such holes or trenches are filled they shall be inspected thoroughly for entrapped animals. Any animals discovered shall be allowed to escape voluntarily without harassment before project activities related to the trench resume, or removed from the trench or hole by a qualified biologist and allowed to escape unimpeded.
11. All food-related trash items such as wrappers, cans, bottles or food scraps generated during project activities shall be disposed of only in closed containers and regularly removed from the proposed project site. Food items may attract wildlife species onto the proposed project site, consequently exposing such animals to increased risk of injury or mortality. No deliberate feeding of wildlife shall be allowed.

12. To prevent harassment or mortality of wildlife species via predation, or destruction of their dens or nests, no domestic pets shall be permitted on-site.

## **CONCLUSION**

Special-status species have been documented in the proposed project buffer area. Other listed and special-status species and their habitat have been documented in proximity to the proposed project area. The project, as designed, is unlikely to result in impacts to listed or sensitive species or habitats. However, in order to protect sensitive wildlife and plant resources, Synthesis Planning recommends that Extenet implement the mitigation measures described in the previous section as operational procedures to avoid or minimize impacts to biological resources.

## **LITERATURE CITED AND REFERENCES CONSULTED**

- Abrams, L. 1923. Illustrated flora of the Pacific states. Volume I. Stanford University Press, Stanford, California. 538 pp.
- Abrams, L. 1944. Illustrated flora of the Pacific states. Volume II. Stanford University Press, Stanford, California. 635 pp.
- Abrams, L. 1951. Illustrated flora of the Pacific states. Volume III. Stanford University Press, Stanford, California. 866 pp.
- Abrams, L. and R. S. Ferris. 1960. Illustrated flora of the Pacific states. Volume IV. Stanford University Press, Stanford, California. 732 pp.
- Burt, W. B. and R. P. Grossenheider. 1976. A field guide to the mammals. Houghton Mifflin Company. Boston, Massachusetts. 289 pp.
- Bushnel, R. G. 1978. Effect of noise on wildlife. Introduction. Pages 7-22. *In*: Fletcher, J. L. and R. G. Busnel (eds.). Effects of noise on wildlife. Academic Press, New York. 305 pp.
- CDFG (California Department of Fish and Game). 1980. At the crossroads, a report on the status of California's Endangered and rare fish and wildlife. Amended July 1983. State of California Resources Agency, Sacramento, California. 147 pp.
- CDFG (California Department of Fish and Game). 2000. Guidelines for assessing effects of proposed developments on rare and endangered plants and natural communities. The Resource Survey, California Department of Fish and Game.
- CDFG (California Department of Fish and Game). 2009. Protocols for Surveying and evaluating impacts to special-status native plant populations and natural communities. California Department of Fish and Game, November 2009.
- CDFW (California Department of Fish and Wildlife). 2014. California Natural Diversity Database. Rare Find 5, for Commercial Subscribers. Habitat Planning and Conservation Branch. Electronic Database.
- CNPS (California Native Plant Society). 1991. Mitigation guidelines regarding impacts to rare, threatened, and endangered plants. Unpublished manuscript by California Native Plant Society – Rare plant scientific advisory committee. 17 pp.
- CNPS (California Native Plant Society). 2001. Botanical survey guidelines of the California Native Plant Society. Fremontia. 29:3-4.



- CNPS (California Native Plant Society). 2014. Inventory of Rare, Threatened, and Endangered Plants of California, 8<sup>th</sup> Edition. California Native Plant Society. Sacramento, California. Accessed from <http://www.cnps.org/inventory>.
- Cheatham, N. H. and J. R. Haller. 1975. An annotated list of California habitat types. Unpublished manuscript prepared for University of California Natural Land and Water Reserves System. 80 pp.
- Grinnell, J. and A. H. Miller. 1944. The Distribution of the Birds of California. Cooper Ornithological Club, Berkeley, California. 615 pp.
- Hickman, J. 1996. The Jepson Manual: Higher plants of California. University of California Press. Berkeley, California.
- Holland, R. F. 1986. Preliminary descriptions of the terrestrial natural communities of California. Unpublished manuscript, California Department of Fish and Game, Nongame - Heritage Program, Sacramento. 156 pp.
- Ingles, L. G. 1965. Mammals of the Pacific states, California, Oregon, Washington. Stanford University Press, Stanford, California. 506 pp.
- Jameson, E. W. Jr. and H. J. Peeters. 1988. California Mammals. University of California Press. Berkeley, CA. 403 pp.
- Kartesz, J. T. and R. Kartesz. 1980. A synonymized checklist of the vascular flora of the United States, Canada, and Greenland. The biota of North America, Volume II. University of North Carolina Press, Chapel Hill. 498 pp.
- Lee, J. M. and D. B. Griffith. 1977. Transmission audible noise and wildlife. *In*: Proceedings Symposium Ninth International. Congress on Acoustics. July 4-9, 1977. Madrid, Spain.
- Munz, P. A. and D. D. Keck. 1968. A California flora and supplement. University of California Press, Berkeley.
- Murie, O. J. 1974. A Field Guide to Animal Tracks. Houghton Mifflin Company. Boston, MA.
- Nelson, J. R. 1987. Rare plant surveys: Techniques for impact assessment. pp. 159-166. *In*: T. Elias (ed.), Conservation and Management of Rare and Endangered Plants. California Native Plant Society, Sacramento, California.
- Remsen, J. V. Jr. 1978. Bird species of special concern in California, an annotated list of declining or vulnerable bird species. California Department of Fish and Game, Nongame Wildlife Investigations, Wildlife Management Branch Administrative Report Number 78-1. 52 pp.
- Sawyer, J. and T. Keeler-Wolf. 1995. A manual of California Vegetation. California Native Plant Society. Sacramento, California

- Skinner, M.W., and B.M.Pavlik. 1994. Inventory of rare and endangered vascular plants of California. California Native Plant Society Special Publication Number 1 (5th edition). California Native Plant Society, Sacramento, California. 336 pp.
- Smith, J. P. and K. Berg. 1988. Inventory of rare and endangered plants of California. California Native Plant Society Special Publication Number 4, Sacramento, California.
- Stebbins, R. C. 1985. A field guide to western reptiles and amphibians. Houghton Mifflin Company. Boston, Massachusetts. 336 pp.
- USFWS (U.S. Fish and Wildlife Service). 1990. Endangered and threatened wildlife and plants. Federal Register. 50(35): 6184-6229.
- USFWS (U.S. Fish and Wildlife Service). 1996a. Endangered and threatened wildlife and plants; Review of plant and animal taxa that are candidates for listing as endangered or threatened species. Federal Register. 61(40): 7596-7613.
- USFWS (U.S. Fish and Wildlife Service). 1996b. Guidelines for conducting and reporting botanical inventories for federally listed, proposed and candidate plants. Unpublished Field Survey Protocol by U.S. Fish and Wildlife Service. 3 pp.
- USFWS (U.S. Fish and Wildlife Service). 2000. Guidelines for conducting and reporting botanical inventories for federally listed, proposed and candidate plants. United States Fish and Wildlife Service. January 2000.
- USFWS (United States Fish and Wildlife Service). 2014a. Website Address: [http://sacramento.fws.gov/es/spp\\_lists/QuickList.cfm](http://sacramento.fws.gov/es/spp_lists/QuickList.cfm).
- USFWS (U.S. Fish and Wildlife Service). 2014b. Environmental Conservation Online System (ECOS). Critical Habitat Portal for Threatened and Endangered Species. Available online at: <http://ecos.fws.gov/crithab/>.
- Williams, D. F. 1986. Mammalian species of special concern in California. California Department of Fish and Game, Wildlife Management Division, Administrative Report. 86-1. 112 pp.
- Zeiner, D. C., W. F. Laudenslayer, Jr., K. E. Mayer and M. White. 1990. California's wildlife. Volume I - amphibians and reptiles. Volume II - birds, and Volume III - mammals. California Department of Fish and Game. Sacramento, California.

**APPENDIX A**  
**REPRESENTATIVE PHOTOGRAPHS**



**Photograph 1**  
View east of proposed Node 047B site.



**Photograph 2**  
View east of proposed Node 048A site.



**Photograph 3**  
View north of proposed Node 049A site.



**Photograph 4**  
View southwest of proposed Node 050A site.



**Photograph 5**  
View west of proposed Node 051A site.



**Photograph 6**  
View south of proposed Node 057A site.



**Photograph 7**  
View northeast of proposed Node 061B site.



# **BETH A. MARTIN**

5636 SE Tolman Street, Portland, Oregon 97206

## **APPENDIX B**

### **Cultural Resource Assessment**

**PHONE**  
503-780-5450

**EMAIL**  
[bethannemartin@yahoo.com](mailto:bethannemartin@yahoo.com)





May 9, 2014

Cord Hute  
Synthesis Environmental  
6 Carmen Court  
Novato, California

**Subject: Cultural Resources Assessment of the Extenet SW-CA-La Honda AT&T Distributed Antenna System Telecommunications Network, San Mateo County, California (BCR Consulting Project No. SYN1401)**

Dear Mr. Hute:

BCR Consulting LLC (BCR Consulting) is under contract to Synthesis Environmental to conduct a Cultural Resources Assessment of the Extenet SW-CA-La Honda AT&T Distributed Antenna System Telecommunications Network in San Mateo County, California. This work has taken place in partial fulfillment of requirements set forth by the California Public Utilities Commission. The Area of Potential Effect (APE) consists of seven proposed node sites in the La Honda Community of San Mateo County, California. The APE is depicted on the United States Geological Survey (USGS) 7.5-minute *La Honda, California* (1997) topographic quadrangle and within the below legal descriptions (see Attachment A):

**Table A. Extenet SW-CA-La Honda Node Locations**

Node	Legal Description (MDBM)
057A	Township 7 South, Range 4 West, Section 2
051A	Township 7 South, Range 4 West, Section 11
050A	Township 7 South, Range 4 West, Section 11
049A	Township 7 South, Range 4 West, Section 14
061B	Township 7 South, Range 4 West, Section 14
048A	Township 7 South, Range 4 West, Section 14
047B	Township 7 South, Range 4 West, Section 23

## NATURAL SETTING

The local geology consists of Tertiary strata underlain by three older Mesozoic rock complexes, including the Coast Range ophiolite, the Franciscan, and the Salinian (Brabb et al. 1998:1). La Honda and Woodruff Creeks and other local drainages have incised the shallower Tertiary soils to expose a variety of rocks, including basalt, serpentinite, chert, and various granitics, all of which have been regionally utilized for the prehistoric manufacture of chipped and ground stone tools (ibid.). Annual rainfall averages approximately 41 inches (California Department of Water Resources 2004) and typically occurs between November and April.

Coast Redwood Forest community remains locally intact, but has been partially impacted by municipal and residential development and landscaping. Signature native and non-native species associated with this habitat are summarized below in Table B (see also Williams et al. 2009:75-77). For prehistoric use of many of the local native species see Lightfoot and Parrish 2009.

**Table B. Local Vegetation Community**

Habitat	Key Plant Species	Key Animal Species
Coast Redwood Forest	Alder, big-leaf maple, California bay or laurel, coast redwood, Douglas-fir, grand fir, madrone, Sitka spruce, tanoak, western hemlock, elderberry, gooseberry, huckleberry, salal, salmonberry, thimbleberry, western azalea, giant chain fern, fawn lily, inside-out flower, redwood orchid, redwood sorrel, redwood violet, western sword fern, western trillium, western anemone, wild ginger, yellow skunk cabbage	Black bear, chickaree, fisher, flying squirrel, hoary bat, Humboldt marten, little brown bat, mole, mountain beaver, red-backed vole, red bat, ringtail, Roosevelt elk, shrew, aquatic garter snake, rubber boa, sharp-tailed snake, brown creeper, flycatcher, golden-crowned kinglet, gray jay, marbled murrelet, northern spotted owl, osprey, pileated woodpecker, pine siskin, Steller's jay, varied thrush, western screech-owl, winter wren

## CULTURAL SETTING

### Prehistory

Similar to most of western North America, human groups commenced regional settlement between 9,000-11,500 years before present. Humans proliferated globally during this era due to gradual environmental warming that marked the close of the last ice age. Changes in settlement patterns and subsistence focus are widely cited as adaptations to the new conditions and have been organized into a number of chronological frameworks for the region (see Moratto 1984; Heizer 1978; and others).

### Ethnography

The project area is situated within the traditional boundaries of the Ramaytush sub-group of the Coastanoan people. Coastanoan territory ranges from the southern San Francisco Bay in the north, along the coast to the Sur River in the south, and is bounded on the east by California's Diablo Range (Levy 1978:485). The Coastanoan designation is linguistic, and comprises eight distinct languages that were divided into approximately 50 autonomous tribelets (Levy 1978:485; Kroeber 1925). Like many other California natives, the Coastanoans relied on hunting and gathering for subsistence, although their relatively sedentary settlement pattern and high population necessitated careful land management traditions. Acorns were a staple, while roots, berries, and various other vegetation and hunted mammals supplemented their diet (see Crespi 1927; Galvan 1968).

## History

Historic-era California is generally divided into three periods: the Spanish or Mission Period (1769 to 1821), the Mexican or Rancho Period (1821 to 1848), and the American Period (1848 to present).

**Spanish Period.** The Spanish period (1769-1821) is represented by exploration of the region; establishment of Mission San Juan Bautista; and the introduction of livestock, agricultural goods, and European architecture and construction techniques. Spanish influence continued to some extent after 1821 due to the continued implementation of the mission system.

**Mexican Period.** The Mexican period (1821-1848) began with Mexican independence from Spain and continued until the end of the Mexican-American War (Cleland 1941). The Secularization Act resulted in the transfer, through land grants (called ranchos) of large mission tracts to politically prominent individuals. At that time, cattle ranching was a more substantial business than farming and, until the Gold Rush of 1849, livestock and horticulture dominated California's economy (Beattie and Beattie 1974).

**American Period.** The American Period, 1848–Present, began with the Treaty of Guadalupe Hidalgo. In 1850, California was accepted into the Union of the United States primarily due to the population increase created by the Gold Rush. The cattle industry reached its greatest prosperity during the first years of the American Period. Mexican Period land grants had created large pastoral estates in California, and demand for beef during the Gold Rush led to a cattle boom that lasted from 1849–1855. However, beginning about 1855, the demand for beef began to decline due to imports of sheep from New Mexico and cattle from the Mississippi and Missouri Valleys. When the beef market collapsed, many California ranchers lost their ranchos through foreclosure (Beattie and Beattie 1974). This set the stage for the development of agricultural and municipal economies that proliferated during 20<sup>th</sup> century and continue to this day.

## PERSONNEL

David Brunzell, M.A., RPA acted as the Project Manager and Principal Investigator for the project. He also conducted the cultural resources records search, carried out the field assessment, and compiled the technical report. BCR Consulting Staff Archaeologist Joseph Brunzell initiated the Native American Consultation.

## NATIVE AMERICAN CONSULTATION

BCR Consulting requested a search of the Sacred Lands File maintained by the Native American Heritage Commission (NAHC) on April 25, 2014. The request included a brief project description and location maps sent by email to David Singleton of the NAHC. Mr. Singleton forwarded the request to Ms. Debbie Pilas-Treadway for processing. Ms. Pilas-Treadway performed the Sacred Lands File search, which failed to indicate any Native American cultural resources within one-half mile of the proposed project. Ms. Pilas-Treadway has also provided names of potentially interested tribes and individuals to BCR

Consulting. BCR Consulting has communicated with those tribes and individuals via certified letters and emails. A record of all communications is provided in Attachment C of this report.

## **METHODS**

### **Records Search**

Prior to fieldwork, a records search was conducted at the NWIC on April 22, 2014. This included a review of all recorded historic and prehistoric cultural resources, as well as a review of known cultural resource surveys and excavation reports generated from projects located within one mile of the APE. In addition, a review was conducted of the National Register of Historic Places (National Register), the California Register of Historical Resources (California Register), and documents and inventories from the California Office of Historic Preservation including the lists of California Historical Landmarks, California Points of Historical Interest, Listing of National Register Properties, and the Inventory of Historic Structures.

### **Field Survey**

A pedestrian archaeological field survey of the APE was conducted on April 22, 2014. Each node site was inspected on foot using 15-meter transects within the accessible impact area. Where visible, soil exposures and rodent back dirt were carefully examined for evidence of cultural resources.

## **RESULTS**

### **Records Search**

Data from the NWIC revealed that ten previous cultural resource studies have been completed within a one-mile radius of the APE, resulting in cultural no resources recorded within the APE boundaries. Of the previous studies, one has previously assessed a large portion of the APE (excluding Nodes 061B and 048A). The nearest previously recorded cultural resource is a prehistoric lithic scatter designated P-41-000426, located approximately ¼ mile northeast of node 057A. No other cultural resources have been previously recorded within the study radius.

### **Field Survey**

During the field survey, BCR Consulting Principal David Brunzell inspected each of the proposed impact areas within the APE. No prehistoric or historic archaeological resources were identified within the APE. Ground disturbances were severe in most locations, and primarily included activities related to road and utility tower construction and maintenance.

## **CONCLUSIONS AND RECOMMENDATIONS**

The records search and field survey did not reveal the presence of any cultural resources within or adjacent to the APE. As a result, BCR Consulting recommends that no significant impact related to archaeological or historical resources is anticipated and no further investigations are recommended for the proposed project. In spite of low archaeological sensitivity attributed to areas proposed for ground disturbance within the APE, these activities always have the potential to reveal buried deposits not observed on the surface. Prior to the initiation of ground-disturbing activities, field personnel should be alerted to the

possibility of buried prehistoric or historic cultural deposits. In the event that field personnel encounter buried cultural materials, work in the immediate vicinity of the find should cease and a qualified archaeologist should be retained to assess the significance of the find. The qualified archaeologist shall have the authority to stop or divert construction excavation as necessary. If the qualified archaeologist finds that any cultural resources present meet eligibility requirements for listing on the California Register or the National Register, plans for the treatment, evaluation, and mitigation of impacts to the find will need to be developed.

If human remains are encountered, State Health and Safety Code Section 7050.5 states that no further disturbance shall occur until the County Coroner has made a determination of origin and disposition pursuant to Public Resources Code Section 5097.98. The County Coroner must be notified of the find immediately. If the remains are determined to be prehistoric, the Coroner will notify the NAHC, which will determine and notify a Most Likely Descendant (MLD). With the permission of the landowner or his/her authorized representative, the MLD may inspect the site of the discovery. The MLD shall complete the inspection within 48 hours of notification by the NAHC.

Please contact me by phone at 909/525-7078 or e-mail at [david.brunzell@yahoo.com](mailto:david.brunzell@yahoo.com) with any questions or comments.

Sincerely,

A handwritten signature in black ink, appearing to read "David Brunzell". The signature is fluid and cursive, with a large initial "D" and "B".

David Brunzell, M.A./RPA  
Principal Investigator/Archaeologist

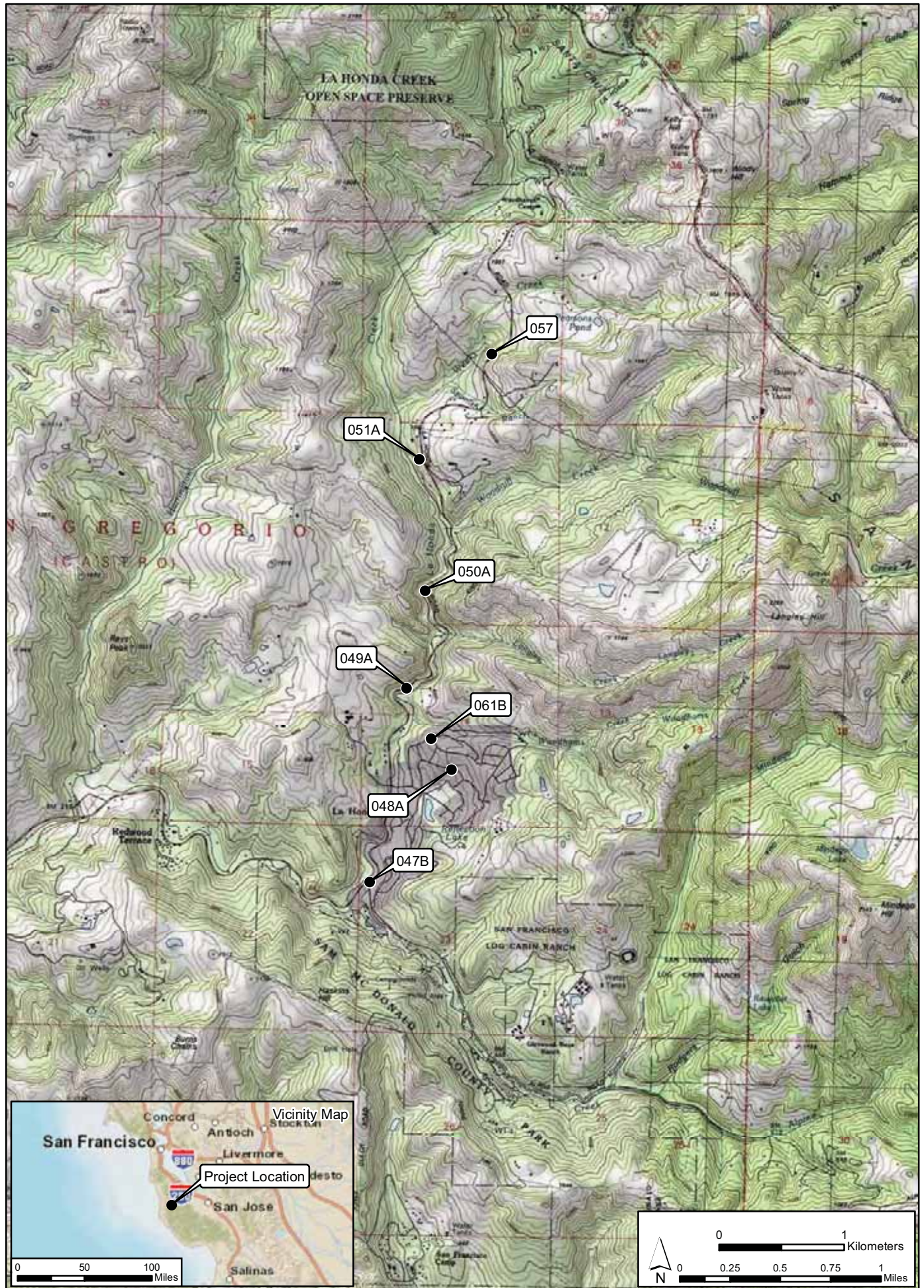
*Attachment A: Area of Potential Effect Map*

*Attachment B: References*

*Attachment C: Native American Heritage Commission Consultation Correspondence*

*Attachment D: Project Photographs*

**ATTACHMENT A:  
AREA OF POTENTIAL EFFECT MAP**



**ATTACHMENT B:  
REFERENCES**



## REFERENCES

- Beattie, George W., and Helen P. Beattie  
1974 *Heritage of the Valley: San Bernardino's First Century*. Biobooks. Oakland.
- Brabb, E.E., R.W. Graymer, and D.L. Jones  
1998 *Geology of the Onshore Part of San Mateo County, California: A Digital Database*. USGS Pamphlet Derived from Digital OF98-137.
- California Department of Water Resources  
2004 *California's Groundwater: Bulletin 118; Soquel Valley Groundwater Basin*. Electronic Document: [www.water.ca.gov/pubs/groundwater/bulletin\\_118/basindescriptions/3-1.pdf](http://www.water.ca.gov/pubs/groundwater/bulletin_118/basindescriptions/3-1.pdf); Accessed April 28, 2012.
- Cleland, Robert Glass  
1941 *The Cattle on a Thousand Hills—Southern California, 1850-80*. San Marino, California: Huntington Library.
- Crespi, Juan  
1927 *Fray Juan Crespi: Missionary Explorer on the Pacific Coast 1769-1774*. Herbert E. Bolton, Editor/Translator, University of California Press, Berkeley.
- Galvan, P. Michael  
1968 People of the West: The Ohlone Story. *The Indian Historian* 1(2):9-13.
- Heizer, R.F.  
1978 *California*. Handbook of North American Indians, Vol. 8, W.C. Sturtevant, General Editor, Smithsonian Institution, Washington, D.C.
- Kroeber, Alfred L.  
1925 *Handbook of the Indians of California*. Bureau of American Ethnology Bulletin No. 78. Washington D.C.: Smithsonian Institution. Reprinted in 1976, New York: Dover Publications.
- Levy, Richard  
1978 Coastanoan. In *California*, edited by R.F. Heizer, pp. 485-495. Handbook of North American Indians, Vol. 8, W.C. Sturtevant, general editor, Smithsonian Institution, Washington, D.C.
- Lightfoot, Kent and Otis Parrish  
2009 *California Indians and their Environment*. UCLA.
- Moratto, Michael J.  
1984 *California Archaeology*. Academic Press, Orlando, Florida.
- United States Geological Survey  
1997 *La Honda, California* 7.5-minute topographic quadrangle map.
- Williams, Pamela, Leah Messinger, and Sarah Johnson  
2008 *Habitats Alive! An Ecological Guide to California's Diverse Habitats*. California Institute for Biodiversity, Oakland, California.

**ATTACHMENT C:  
NATIVE AMERICAN HERITAGE COMMISSION CONSULTATION  
CORRESPONDENCE**

---

**Subject:** BCR Consulting SLF/List of Tribes Request, Extenet DAS Telecom Network Project, San Mateo County, California

---

**From:** David Brunzell (david.brunzell@yahoo.com)

---

**To:** ds\_nahc@pacbell.net;

---

**Date:** Friday, April 25, 2014 12:28 PM

---

Hi Dave,

I'd like to request a Sacred Lands File search and list of potentially interested tribes for the proposed Extenet SW-CA-La Honda Distributed Antenna System Telecommunications Network in unincorporated San Mateo County, California. The proposed project will be located as follows (MDBM; see also attached project location map):\*

Township 7 South  
Range 4 West  
Sections 2, 11, 14, and 23  
USGS 7.5 Minute Topographic Quad: *La Honda* (1997)

Please send the results and list to my email or the below fax number and please get in touch with any questions.

Thanks,

David Brunzell  
Principal Investigator/Archaeologist

**BCR Consulting LLC**  
*Certified Small Business (SB)*  
1420 Guadalajara Place  
Claremont, California 91711  
Tel: 909-525-7078  
Fax: 909-992-3065

[www.bcrconsulting.net](http://www.bcrconsulting.net)

\*See report Attachment A.

**NATIVE AMERICAN HERITAGE COMMISSION**

1550 Harbor Blvd, Suite 100  
West Sacramento, CA 95691  
(916) 373-3710  
(916) 373-5471 - Fax



April 29, 2014

Dave Brunzell  
BCR Consulting LLC  
1420 Guadalajara Place  
Claremont, CA 91711

VIA FAX: 909-992-3065  
Number of Pages: 2

Re: Extenet SW-CA-La Honda Distributed Antenna System Telecommunication Network,  
San Mateo County

Dear Mr. Brunzell:

A record search of the sacred land file has failed to indicate the presence of Native American cultural resources in the immediate project area. The absence of specific site information in the sacred lands file does not indicate the absence of cultural resources in any project area. Other sources of cultural resources should also be contacted for information regarding known and recorded sites.

Enclosed is a list of Native Americans individuals/organizations who may have knowledge of cultural resources in the project area. The Commission makes no recommendation or preference of a single individual, or group over another. This list should provide a starting place in locating areas of potential adverse impact within the proposed project area. I suggest you contact all of those indicated, if they cannot supply information, they might recommend others with specific knowledge. By contacting all those listed, your organization will be better able to respond to claims of failure to consult with the appropriate tribe or group. If a response has not been received within two weeks of notification, the Commission requests that you follow-up with a telephone call to ensure that the project information has been received.

If you receive notification of change of addresses and phone numbers from any of these individuals or groups, please notify me. With your assistance we are able to assure that our lists contain current information. If you have any questions or need additional information, please contact me at (916) 373-3713.

Sincerely,

A handwritten signature in black ink, appearing to read "Debbie Pilas-Treadway".

Debbie Pilas-Treadway  
Environmental Specialist III

**Native American Contacts  
San Mateo County  
May 6, 2014**

Jakki Kehl  
720 North 2nd Street  
Patterson, CA 95363  
(209) 892-1060

Ohlone/Costanoan

Indian Canyon Mutsun Band of Costanoan  
Ann Marie Sayers, Chairperson  
P.O. Box 28  
Hollister, CA 95024  
ams@indiancanyon.org  
831-637-4238

Ohlone/Costanoan

Linda G. Yamane  
1585 Mira Mar Ave  
Seaside, CA 93955  
rumsien123@yahoo.com  
831-394-5915

Ohlone/Costanoan

Muwekma Ohlone Indian Tribe of the SF Bay Area  
Rosemary Cambra, Chairperson  
PO Box 360791  
Milpitas, CA 95036  
muwekma@muwekma.org  
408-205-9714  
510-581-5194

Ohlone / Costanoan

Amah Mutsun Tribal Band of Mission San Juan Bautista

Irene Zwielerlein, Chairperson  
789 Canada Road  
Woodside, CA 94062  
amahmutsuntribal@gmail.com

Ohlone/Costanoan

650-400-4806 cell

650-332-1526 - Fax

The Ohlone Indian Tribe

Andrew Galvan  
PO Box 3152  
Fremont, CA 94539  
chochenyo@AOL.com  
(510) 882-0527 - Cell  
(510) 687-9393 - Fax

Ohlone/Costanoan  
Bay Miwok  
Plains Miwok  
Patwin

Amah Mutsun Tribal Band of Mission San Juan Bautista

Michelle Zimmer  
789 Canada Road  
Woodside, CA 94062  
amahmutsuntribal@gmail.com

Ohlone/Costanoan

(650) 851-7747 - Home

650-332-1526 - Fax

Trina Marine Ruano Family

Ramona Garibay, Representative  
30940 Watkins Street  
Union City, CA 94587  
510-972-0645-home

Ohlone/Costanoan  
Bay Miwok  
Plains Miwok  
Patwin

soaprootmo@comcast.net

Coastanoan Rumsen Carmel Tribe

Tony Cerda, Chairperson  
240 E, 1st Street  
Pomona, CA 91766  
rumsen@aol.com  
(909) 524-8041 Cell  
909-629-6081

Ohlone/Costanoan

This list is current only as of the date of this document.

Distribution of this list does not relieve any person of statutory responsibility as defined in Section 7050.5 of the Health and Safety Code, Section 5097.94 of the Public Resource Section 5097.98 of the Public Resources Code

This list is only applicable for contacting local Native Americans with regard to cultural resources for the proposed Extent SW-CA-La Honda Distributed Antenna System Telecommunication Network project, San Mateo County.

**Native American Consultation Summary, Extenet SW-CA-La Honda DAS, San Mateo County, California**

Native American Heritage Commission replied to BCR Consulting Request on May 6, 2014. Results of Sacred Land File Search did not indicate presence of Native American cultural resources, and recommended that the below groups/individuals be contacted.

Groups Contacted	Letter/Email Date	Response from Tribes
Jakki Kehl	Letter: 5/8/14 Email: N/A	None
Ann Marie Sayers, Chairperson Indian Canyon Mutsun Band of Coastanoan	Letter: 5/8/14 Email: 5/9/14	None
Linda G. Yamane	Letter: 5/8/14 Email: 5/9/14	None
Rosemary Cambra Chairperson	Letter: 5/8/14 Email: 5/9/14	None
Irene Zwierlein, Chairperson Amah Mutsun Tribal Band	Letter: 5/8/14 Email: 5/9/14	None
Andrew Galvan The Ohlone Indian Tribe	Letter: 5/8/14 Email: 5/9/14	None
Michelle Zimmer Amah Mutsun Tribal Band of Mission San Juan Bautista	Letter: 5/8/14 Email: 5/9/14	None
Ramona Garibay, Representative Trina Marine Ruano Family	Letter: 5/8/14 Email: 5/9/14	None
Tony Cerda, Chairperson Coastanoan Rumsen Carmel Tribe	Letter: 5/8/14 Email: 5/9/14	None



May 8, 2014

Jakki Kehl  
720 North 2<sup>nd</sup> Street  
Patterson, California 95363

**Subject: Tribal Consultation for the Extenet SW-CA-La Honda Distributed Antenna System Telecommunications Network Project, San Mateo County, California**

Dear Jakki:

This is an invitation to consult on a proposed development project at locations with which you have tribal cultural affiliation. The purpose of the consultation is to ensure the protection of Native American cultural resources on which the proposed undertaking may have an impact. In the tribal consultation process, early consultation is encouraged in order to provide for full and reasonable public input from Native American Groups and Individuals, as consulting parties, on potential effect of the development project and to avoid costly delays. Further, we understand that much of the content of the consultation will be confidential and will include, but not be limited to, the relationship of proposed project details to Native American Cultural Historic Properties, such as burial sites, known or unknown, architectural features and artifacts, ceremonial sites, sacred shrines, cultural landscapes including traditional beliefs and practices. The proposed project is located within Sections 2, 11, 14, and 23 of Township 7 South, Range 4 West, Mt. Diablo Baseline and Meridian. The property is depicted on the *La Honda* (1997), *California* 7.5-minute USGS topographic quadrangle, (see attached map).

If you know of any cultural resources in the vicinity that may be of religious and/or cultural significance to your community or if you would like more information, please contact me at 909-525-7078 or david.brunzell@yahoo.com. Correspondence can also be sent to BCR Consulting, Attn: David Brunzell, 1420 Guadalajara Street, Claremont, California 91711. I request a response by June 13, 2014. If you require more time, please let me know. Thank you for your involvement in this process.

Sincerely,

**BCR Consulting LLC**

David Brunzell, M.A./RPA  
Principal Investigator/Archaeologist  
*Attachment: USGS Map*



May 8, 2014

Ann Marie Sayers  
Chairperson  
Indian Canyon Mutsun Band of Coastanoan  
P.O. Box 28  
Hollister, California 95024

**Subject: Tribal Consultation for the Extenet SW-CA-La Honda Distributed Antenna System Telecommunications Network Project, San Mateo County, California**

Dear Ann:

This is an invitation to consult on a proposed development project at locations with which you have tribal cultural affiliation. The purpose of the consultation is to ensure the protection of Native American cultural resources on which the proposed undertaking may have an impact. In the tribal consultation process, early consultation is encouraged in order to provide for full and reasonable public input from Native American Groups and Individuals, as consulting parties, on potential effect of the development project and to avoid costly delays. Further, we understand that much of the content of the consultation will be confidential and will include, but not be limited to, the relationship of proposed project details to Native American Cultural Historic Properties, such as burial sites, known or unknown, architectural features and artifacts, ceremonial sites, sacred shrines, cultural landscapes including traditional beliefs and practices. The proposed project is located within Sections 2, 11, 14, and 23 of Township 7 South, Range 4 West, Mt. Diablo Baseline and Meridian. The property is depicted on the *La Honda* (1997), *California* 7.5-minute USGS topographic quadrangle, (see attached map).

If you know of any cultural resources in the vicinity that may be of religious and/or cultural significance to your community or if you would like more information, please contact me at 909-525-7078 or david.brunzell@yahoo.com. Correspondence can also be sent to BCR Consulting, Attn: David Brunzell, 1420 Guadalajara Street, Claremont, California 91711. I request a response by June 13, 2014. If you require more time, please let me know. Thank you for your involvement in this process.

Sincerely,

**BCR Consulting LLC**

David Brunzell, M.A./RPA  
Principal Investigator/Archaeologist  
*Attachment: USGS Map*





May 8, 2014

Linda G. Yamane  
1585 Mira Mar Ave.  
Seaside, California 93955

**Subject: Tribal Consultation for the Extenet SW-CA-La Honda Distributed Antenna System Telecommunications Network Project, San Mateo County, California**

Dear Linda:

This is an invitation to consult on a proposed development project at locations with which you have tribal cultural affiliation. The purpose of the consultation is to ensure the protection of Native American cultural resources on which the proposed undertaking may have an impact. In the tribal consultation process, early consultation is encouraged in order to provide for full and reasonable public input from Native American Groups and Individuals, as consulting parties, on potential effect of the development project and to avoid costly delays. Further, we understand that much of the content of the consultation will be confidential and will include, but not be limited to, the relationship of proposed project details to Native American Cultural Historic Properties, such as burial sites, known or unknown, architectural features and artifacts, ceremonial sites, sacred shrines, cultural landscapes including traditional beliefs and practices. The proposed project is located within Sections 2, 11, 14, and 23 of Township 7 South, Range 4 West, Mt. Diablo Baseline and Meridian. The property is depicted on the *La Honda* (1997), *California* 7.5-minute USGS topographic quadrangle, (see attached map).

If you know of any cultural resources in the vicinity that may be of religious and/or cultural significance to your community or if you would like more information, please contact me at 909-525-7078 or david.brunzell@yahoo.com. Correspondence can also be sent to BCR Consulting, Attn: David Brunzell, 1420 Guadalajara Street, Claremont, California 91711. I request a response by June 13, 2014. If you require more time, please let me know. Thank you for your involvement in this process.

Sincerely,

**BCR Consulting LLC**

David Brunzell, M.A./RPA  
Principal Investigator/Archaeologist  
*Attachment:* USGS Map



May 8, 2014

Rosemary Cambra  
Chairperson  
P.O. Box 360791  
Milpitas, California 95036

**Subject: Tribal Consultation for the Extenet SW-CA-La Honda Distributed Antenna System Telecommunications Network Project, San Mateo County, California**

Dear Rosemary:

This is an invitation to consult on a proposed development project at locations with which you have tribal cultural affiliation. The purpose of the consultation is to ensure the protection of Native American cultural resources on which the proposed undertaking may have an impact. In the tribal consultation process, early consultation is encouraged in order to provide for full and reasonable public input from Native American Groups and Individuals, as consulting parties, on potential effect of the development project and to avoid costly delays. Further, we understand that much of the content of the consultation will be confidential and will include, but not be limited to, the relationship of proposed project details to Native American Cultural Historic Properties, such as burial sites, known or unknown, architectural features and artifacts, ceremonial sites, sacred shrines, cultural landscapes including traditional beliefs and practices. The proposed project is located within Sections 2, 11, 14, and 23 of Township 7 South, Range 4 West, Mt. Diablo Baseline and Meridian. The property is depicted on the *La Honda* (1997), *California* 7.5-minute USGS topographic quadrangle, (see attached map).

If you know of any cultural resources in the vicinity that may be of religious and/or cultural significance to your community or if you would like more information, please contact me at 909-525-7078 or david.brunzell@yahoo.com. Correspondence can also be sent to BCR Consulting, Attn: David Brunzell, 1420 Guadalajara Street, Claremont, California 91711. I request a response by June 13, 2014. If you require more time, please let me know. Thank you for your involvement in this process.

Sincerely,

**BCR Consulting LLC**

David Brunzell, M.A./RPA  
Principal Investigator/Archaeologist  
*Attachment: USGS Map*



May 8, 2014

Irene Zwierein  
Chairperson  
Amah Mutsun Tribal Band  
789 Canada Road  
Woodside, California 94062

**Subject: Tribal Consultation for the Extenet SW-CA-La Honda Distributed Antenna System Telecommunications Network Project, San Mateo County, California**

Dear Irene:

This is an invitation to consult on a proposed development project at locations with which you have tribal cultural affiliation. The purpose of the consultation is to ensure the protection of Native American cultural resources on which the proposed undertaking may have an impact. In the tribal consultation process, early consultation is encouraged in order to provide for full and reasonable public input from Native American Groups and Individuals, as consulting parties, on potential effect of the development project and to avoid costly delays. Further, we understand that much of the content of the consultation will be confidential and will include, but not be limited to, the relationship of proposed project details to Native American Cultural Historic Properties, such as burial sites, known or unknown, architectural features and artifacts, ceremonial sites, sacred shrines, cultural landscapes including traditional beliefs and practices. The proposed project is located within Sections 2, 11, 14, and 23 of Township 7 South, Range 4 West, Mt. Diablo Baseline and Meridian. The property is depicted on the *La Honda* (1997), *California* 7.5-minute USGS topographic quadrangle, (see attached map).

If you know of any cultural resources in the vicinity that may be of religious and/or cultural significance to your community or if you would like more information, please contact me at 909-525-7078 or david.brunzell@yahoo.com. Correspondence can also be sent to BCR Consulting, Attn: David Brunzell, 1420 Guadalajara Street, Claremont, California 91711. I request a response by June 13, 2014. If you require more time, please let me know. Thank you for your involvement in this process.

Sincerely,

**BCR Consulting LLC**

David Brunzell, M.A./RPA  
Principal Investigator/Archaeologist  
*Attachment: USGS Map*



May 8, 2014

Andrew Galvan  
The Ohlone Indian Tribe  
P.O. Box 3152  
Fremont, California 94539

**Subject: Tribal Consultation for the Extenet SW-CA-La Honda Distributed Antenna System Telecommunications Network Project, San Mateo County, California**

Dear Andrew:

This is an invitation to consult on a proposed development project at locations with which you have tribal cultural affiliation. The purpose of the consultation is to ensure the protection of Native American cultural resources on which the proposed undertaking may have an impact. In the tribal consultation process, early consultation is encouraged in order to provide for full and reasonable public input from Native American Groups and Individuals, as consulting parties, on potential effect of the development project and to avoid costly delays. Further, we understand that much of the content of the consultation will be confidential and will include, but not be limited to, the relationship of proposed project details to Native American Cultural Historic Properties, such as burial sites, known or unknown, architectural features and artifacts, ceremonial sites, sacred shrines, cultural landscapes including traditional beliefs and practices. The proposed project is located within Sections 2, 11, 14, and 23 of Township 7 South, Range 4 West, Mt. Diablo Baseline and Meridian. The property is depicted on the *La Honda* (1997), *California* 7.5-minute USGS topographic quadrangle, (see attached map).

If you know of any cultural resources in the vicinity that may be of religious and/or cultural significance to your community or if you would like more information, please contact me at 909-525-7078 or david.brunzell@yahoo.com. Correspondence can also be sent to BCR Consulting, Attn: David Brunzell, 1420 Guadalajara Street, Claremont, California 91711. I request a response by June 13, 2014. If you require more time, please let me know. Thank you for your involvement in this process.

Sincerely,

**BCR Consulting LLC**

David Brunzell, M.A./RPA  
Principal Investigator/Archaeologist  
*Attachment: USGS Map*



May 8, 2014

Michelle Zimmer  
Amah Mutsun Tribal Band of Mission San Juan Bautista  
789 Canada Road  
Woodside, California 94062

**Subject: Tribal Consultation for the Extenet SW-CA-La Honda Distributed Antenna System Telecommunications Network Project, San Mateo County, California**

Dear Michelle:

This is an invitation to consult on a proposed development project at locations with which you have tribal cultural affiliation. The purpose of the consultation is to ensure the protection of Native American cultural resources on which the proposed undertaking may have an impact. In the tribal consultation process, early consultation is encouraged in order to provide for full and reasonable public input from Native American Groups and Individuals, as consulting parties, on potential effect of the development project and to avoid costly delays. Further, we understand that much of the content of the consultation will be confidential and will include, but not be limited to, the relationship of proposed project details to Native American Cultural Historic Properties, such as burial sites, known or unknown, architectural features and artifacts, ceremonial sites, sacred shrines, cultural landscapes including traditional beliefs and practices. The proposed project is located within Sections 2, 11, 14, and 23 of Township 7 South, Range 4 West, Mt. Diablo Baseline and Meridian. The property is depicted on the *La Honda* (1997), *California* 7.5-minute USGS topographic quadrangle, (see attached map).

If you know of any cultural resources in the vicinity that may be of religious and/or cultural significance to your community or if you would like more information, please contact me at 909-525-7078 or david.brunzell@yahoo.com. Correspondence can also be sent to BCR Consulting, Attn: David Brunzell, 1420 Guadalajara Street, Claremont, California 91711. I request a response by June 13, 2014. If you require more time, please let me know. Thank you for your involvement in this process.

Sincerely,

**BCR Consulting LLC**

David Brunzell, M.A./RPA  
Principal Investigator/Archaeologist  
*Attachment: USGS Map*



May 8, 2014

Ramona Garibay  
Representative  
Trina Marine Ruano Family  
30940 Watkins Street  
Union City, California 94587

**Subject: Tribal Consultation for the Extenet SW-CA-La Honda Distributed Antenna System Telecommunications Network Project, San Mateo County, California**

Dear Ramona:

This is an invitation to consult on a proposed development project at locations with which you have tribal cultural affiliation. The purpose of the consultation is to ensure the protection of Native American cultural resources on which the proposed undertaking may have an impact. In the tribal consultation process, early consultation is encouraged in order to provide for full and reasonable public input from Native American Groups and Individuals, as consulting parties, on potential effect of the development project and to avoid costly delays. Further, we understand that much of the content of the consultation will be confidential and will include, but not be limited to, the relationship of proposed project details to Native American Cultural Historic Properties, such as burial sites, known or unknown, architectural features and artifacts, ceremonial sites, sacred shrines, cultural landscapes including traditional beliefs and practices. The proposed project is located within Sections 2, 11, 14, and 23 of Township 7 South, Range 4 West, Mt. Diablo Baseline and Meridian. The property is depicted on the *La Honda* (1997), *California* 7.5-minute USGS topographic quadrangle, (see attached map).

If you know of any cultural resources in the vicinity that may be of religious and/or cultural significance to your community or if you would like more information, please contact me at 909-525-7078 or david.brunzell@yahoo.com. Correspondence can also be sent to BCR Consulting, Attn: David Brunzell, 1420 Guadalajara Street, Claremont, California 91711. I request a response by June 13, 2014. If you require more time, please let me know. Thank you for your involvement in this process.

Sincerely,

**BCR Consulting LLC**

David Brunzell, M.A./RPA  
Principal Investigator/Archaeologist  
*Attachment: USGS Map*



May 8, 2014

Tony Cerda  
Chairperson  
Coastanoan Rumsen Carmel Tribe  
240 East 1<sup>st</sup> Street  
Pomona, California 91766

**Subject: Tribal Consultation for the Extenet SW-CA-La Honda Distributed Antenna System Telecommunications Network Project, San Mateo County, California**

Dear Tony:

This is an invitation to consult on a proposed development project at locations with which you have tribal cultural affiliation. The purpose of the consultation is to ensure the protection of Native American cultural resources on which the proposed undertaking may have an impact. In the tribal consultation process, early consultation is encouraged in order to provide for full and reasonable public input from Native American Groups and Individuals, as consulting parties, on potential effect of the development project and to avoid costly delays. Further, we understand that much of the content of the consultation will be confidential and will include, but not be limited to, the relationship of proposed project details to Native American Cultural Historic Properties, such as burial sites, known or unknown, architectural features and artifacts, ceremonial sites, sacred shrines, cultural landscapes including traditional beliefs and practices. The proposed project is located within Sections 2, 11, 14, and 23 of Township 7 South, Range 4 West, Mt. Diablo Baseline and Meridian. The property is depicted on the *La Honda* (1997), *California* 7.5-minute USGS topographic quadrangle, (see attached map).

If you know of any cultural resources in the vicinity that may be of religious and/or cultural significance to your community or if you would like more information, please contact me at 909-525-7078 or david.brunzell@yahoo.com. Correspondence can also be sent to BCR Consulting, Attn: David Brunzell, 1420 Guadalajara Street, Claremont, California 91711. I request a response by June 13, 2014. If you require more time, please let me know. Thank you for your involvement in this process.

Sincerely,

**BCR Consulting LLC**

David Brunzell, M.A./RPA  
Principal Investigator/Archaeologist  
*Attachment: USGS Map*

7012 0470 0001 5570 4869

U.S. Postal Service™  
**CERTIFIED MAIL™ RECEIPT**  
(Domestic Mail Only; No Insurance Coverage Provided)

For delivery information visit our website at [www.usps.com](http://www.usps.com)

PATTERSON CA 95363

Postage	\$ 00.49	0005	Postmark Here
Certified Fee	\$3.30	07	
Return Receipt Fee (Endorsement Required)	\$0.00		
Restricted Delivery Fee (Endorsement Required)	\$0.00		
<b>Total Postage &amp; Fees</b>	<b>\$ 03.79</b>	<b>05/08/2014</b>	

Sent To Sakki Kehl  
 Street, Apt. No., or PO Box No. 720 North 2nd Street  
 City, State, ZIP+4 Patterson, CA 95363

PS Form 3800, August 2006 See Reverse for Instructions

7012 0470 0001 5570 4876

U.S. Postal Service™  
**CERTIFIED MAIL™ RECEIPT**  
(Domestic Mail Only; No Insurance Coverage Provided)

For delivery information visit our website at [www.usps.com](http://www.usps.com)

HOLLISTER CA 95024

Postage	\$ 00.49	0005	Postmark Here
Certified Fee	\$3.30	07	
Return Receipt Fee (Endorsement Required)	\$0.00		
Restricted Delivery Fee (Endorsement Required)	\$0.00		
<b>Total Postage &amp; Fees</b>	<b>\$ 03.79</b>	<b>05/08/2014</b>	

Sent To Ann Marie Sayers  
 Street, Apt. No., or PO Box No. P.O. Box 28  
 City, State, ZIP+4 Hollister, CA 95024

PS Form 3800, August 2006 See Reverse for Instructions

7012 0470 0001 5570 4890

U.S. Postal Service™  
**CERTIFIED MAIL™ RECEIPT**  
(Domestic Mail Only; No Insurance Coverage Provided)

For delivery information visit our website at [www.usps.com](http://www.usps.com)

SEASIDE CA 93955

Postage	\$ 00.49	0005	Postmark Here
Certified Fee	\$3.30	07	
Return Receipt Fee (Endorsement Required)	\$0.00		
Restricted Delivery Fee (Endorsement Required)	\$0.00		
<b>Total Postage &amp; Fees</b>	<b>\$ 03.79</b>	<b>05/08/2014</b>	

Sent To Linda G. Yamone  
 Street, Apt. No., or PO Box No. 1565 Mira Mar Ave  
 City, State, ZIP+4 Seaside, CA 93955

PS Form 3800, August 2006 See Reverse for Instructions

7012 0470 0001 5570 4845

U.S. Postal Service™  
**CERTIFIED MAIL™ RECEIPT**  
(Domestic Mail Only; No Insurance Coverage Provided)

For delivery information visit our website at [www.usps.com](http://www.usps.com)

MILPITAS CA 95036

Postage	\$ 00.49	0005	Postmark Here
Certified Fee	\$3.30	07	
Return Receipt Fee (Endorsement Required)	\$0.00		
Restricted Delivery Fee (Endorsement Required)	\$0.00		
<b>Total Postage &amp; Fees</b>	<b>\$ 03.79</b>	<b>05/08/2014</b>	

Sent To Rosemary Cambra  
 Street, Apt. No., or PO Box No. P.O. Box 360791  
 City, State, ZIP+4 Milpitas, CA 95036

PS Form 3800, August 2006 See Reverse for Instructions

7012 0470 0001 5570 4920

U.S. Postal Service™  
**CERTIFIED MAIL™ RECEIPT**  
(Domestic Mail Only; No Insurance Coverage Provided)

For delivery information visit our website at [www.usps.com](http://www.usps.com)

REDWOOD CITY CA 94062

Postage	\$ 00.49	0005	Postmark Here
Certified Fee	\$3.30	07	
Return Receipt Fee (Endorsement Required)	\$0.00		
Restricted Delivery Fee (Endorsement Required)	\$0.00		
<b>Total Postage &amp; Fees</b>	<b>\$ 03.79</b>	<b>05/08/2014</b>	

Sent To Irene Zwielen  
 Street, Apt. No., or PO Box No. 789 Canada Rd.  
 City, State, ZIP+4 Woodside, CA 94062

PS Form 3800, August 2006 See Reverse for Instructions

7012 0470 0001 5570 4852

U.S. Postal Service™  
**CERTIFIED MAIL™ RECEIPT**  
(Domestic Mail Only; No Insurance Coverage Provided)

For delivery information visit our website at [www.usps.com](http://www.usps.com)

FREMONT CA 94539

Postage	\$ 00.49	0005	Postmark Here
Certified Fee	\$3.30	07	
Return Receipt Fee (Endorsement Required)	\$0.00		
Restricted Delivery Fee (Endorsement Required)	\$0.00		
<b>Total Postage &amp; Fees</b>	<b>\$ 03.79</b>	<b>05/08/2014</b>	

Sent To Andrew Galvan  
 Street, Apt. No., or PO Box No. P.O. Box 3152  
 City, State, ZIP+4 Fremont, CA 94539

PS Form 3800, August 2006 See Reverse for Instructions



7012 0470 0001 5570 4906

U.S. Postal Service™  
**CERTIFIED MAIL™ RECEIPT**  
 (Domestic Mail Only; No Insurance Coverage Provided)

For delivery information visit our website at [www.usps.com](http://www.usps.com)

REDWOOD CITY CA 94062

Postage	\$ 0.49	0005	Postmark Here
Certified Fee	\$3.30	07	
Return Receipt Fee (Endorsement Required)	\$0.00		
Restricted Delivery Fee (Endorsement Required)	\$0.00		
<b>Total Postage &amp; Fees</b>	<b>\$ 3.79</b>	05/08/2014	

Sent To Michelle Zimmer  
 Street, Apt. No.,  
 or PO Box No. 789 Canada Road  
 City, State, ZIP+4 Woodside, CA 94062

PS Form 3800, August 2006

See Reverse for Instructions

7012 0470 0001 5570 4913

U.S. Postal Service™  
**CERTIFIED MAIL™ RECEIPT**  
 (Domestic Mail Only; No Insurance Coverage Provided)

For delivery information visit our website at [www.usps.com](http://www.usps.com)

UNION CITY CA 94587

Postage	\$ 0.49	0005	Postmark Here
Certified Fee	\$3.30	07	
Return Receipt Fee (Endorsement Required)	\$0.00		
Restricted Delivery Fee (Endorsement Required)	\$0.00		
<b>Total Postage &amp; Fees</b>	<b>\$ 3.79</b>	05/08/2014	

Sent To Ramonra Garibay  
 Street, Apt. No.,  
 or PO Box No. 3046 Watkins Street  
 City, State, ZIP+4 Union City, CA 94587

PS Form 3800, August 2006

See Reverse for Instructions

7012 0470 0001 5570 4883

U.S. Postal Service™  
**CERTIFIED MAIL™ RECEIPT**  
 (Domestic Mail Only; No Insurance Coverage Provided)

For delivery information visit our website at [www.usps.com](http://www.usps.com)

POMONA CA 91766

Postage	\$ 0.49	0005	Postmark Here
Certified Fee	\$3.30	07	
Return Receipt Fee (Endorsement Required)	\$0.00		
Restricted Delivery Fee (Endorsement Required)	\$0.00		
<b>Total Postage &amp; Fees</b>	<b>\$ 3.79</b>	05/08/2014	

Sent To Tony Cerda  
 Street, Apt. No.,  
 or PO Box No. 240 East 1st Street  
 City, State, ZIP+4 Pomona, CA 91766

PS Form 3800, August 2006

See Reverse for Instructions

**ATTACHMENT D:  
PHOTOGRAPHIC DOCUMENTATION**



Photo 1: Node 047B Area Overview (North)



Photo 2: Node 048A Area Overview (West)



Photo 3: Node 061B Area Overview (West)



Photo 4: Node 049A Area Overview (East Northeast)



Photo 5: Node 050A Area Overview (South)



Photo 6: Node 051A Area Overview (West)



7: Node 057A Area Overview (North)









PROJECT INFORMATION:  
**SW-CA-LA HONDA-ATT  
 DAS NETWORK  
 NODE 061B**  
 170 CUESTA REAL  
 LA HONDA, CA 94020

CURRENT ISSUE DATE:  
**04/12/14**

ISSUED FOR:  
**ZONING**

BY: = DATE: = DESCRIPTION: = REV:

BY	DATE	DESCRIPTION	REV
ACI	04/12/14	ANTENNA HEIGHT CHG	1
ACI	02/19/14	ZONING	0

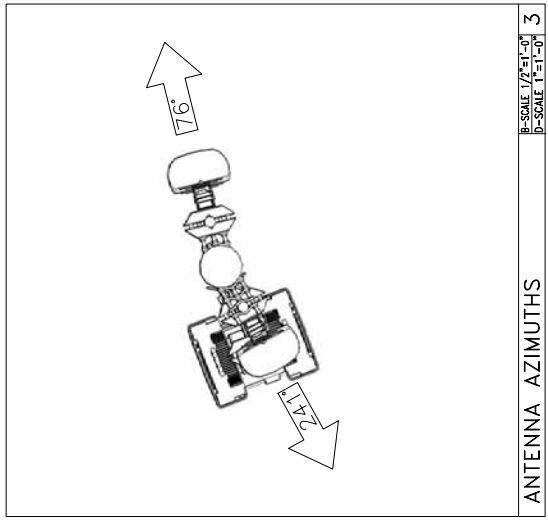
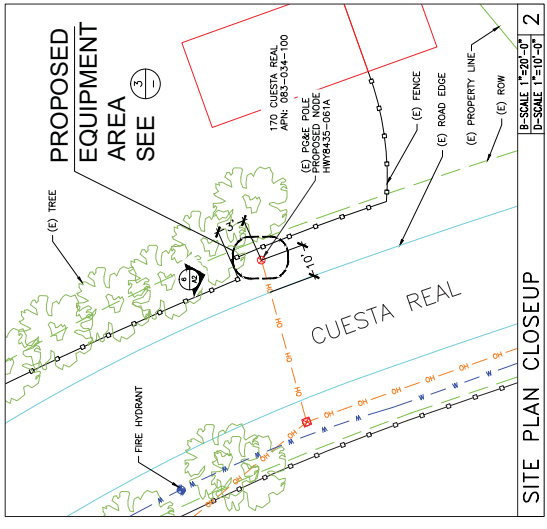
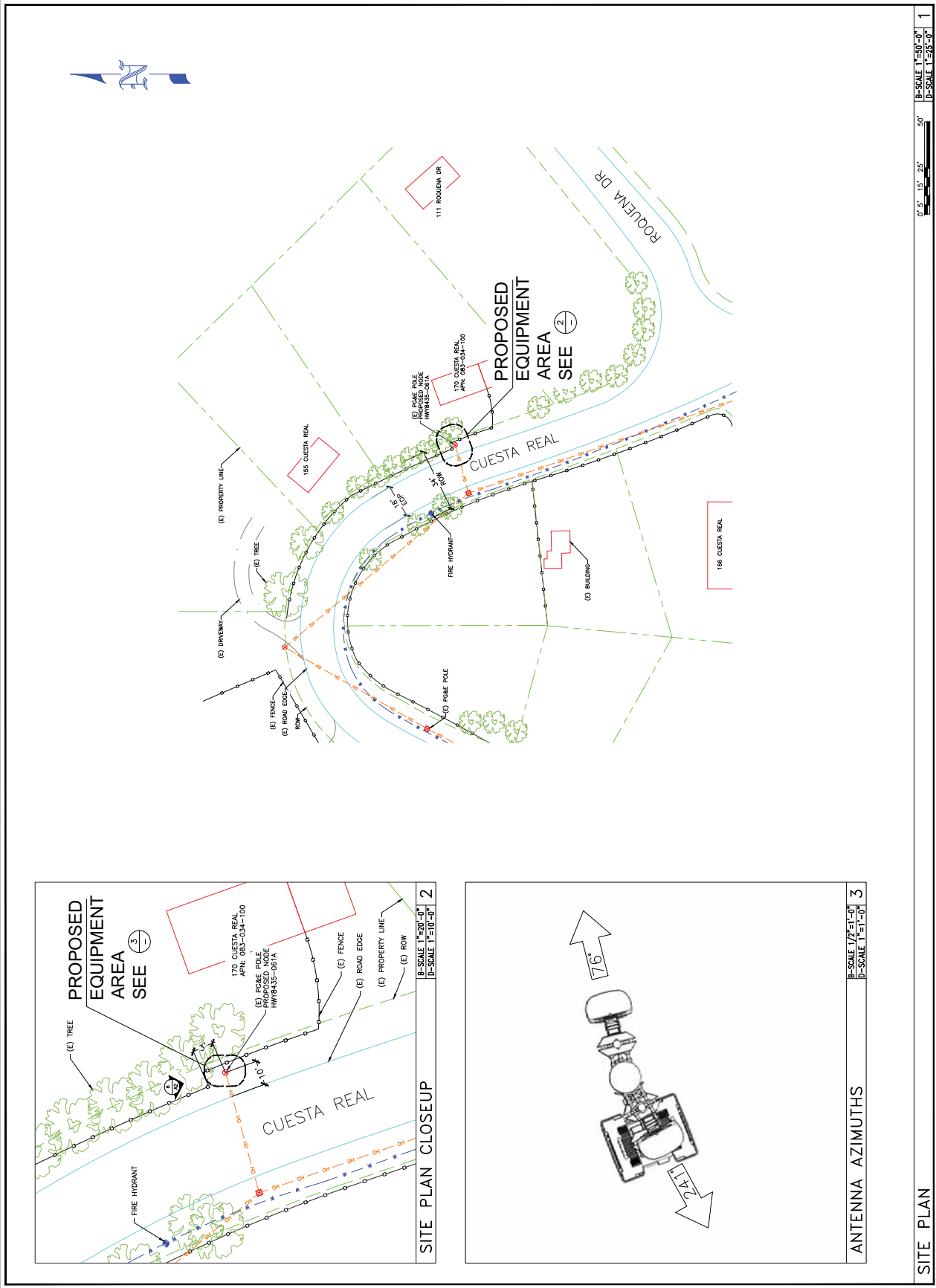


PLANS PREPARED BY:  
 ACI NUMBER: HW8435-061B  
 CONSULTANT:

SEAL OF APPROVAL:

SHEET TITLE:  
**SITE PLAN**

SHEET NUMBER: = REVISION:  
**A1**      **1**  
 04/12/14



SITE PLAN      **1**  
 B-SCALE 1"=50'-0"  
 D-SCALE 1"=25'-0"

**extinet**  
YOUR NETWORK. EVERYWHERE.  
SYSTEMS

3030 Woodville Rd, Suite 340  
Folsom, CA 95630  
www.extinet.com

**PROJECT INFORMATION:**  
**SW-CA-1A HONDA-A1T**  
**DAS NETWORK**  
**NODE 061B**  
170 CUESTA REAL  
LA HONDA, CA 94020

CURRENT ISSUE DATE: 04/12/14

ISSUED FOR: ZONING

BY: DATE: DESCRIPTION: REV:

ACI	04/12/14	ANTENNA HEIGHT CHG	1
ACI	02/10/14	ZONING	0

PLANS PREPARED BY:

**ACI**  
The 900 Series ACI  
5711 Research Drive  
Canton, MI 48188

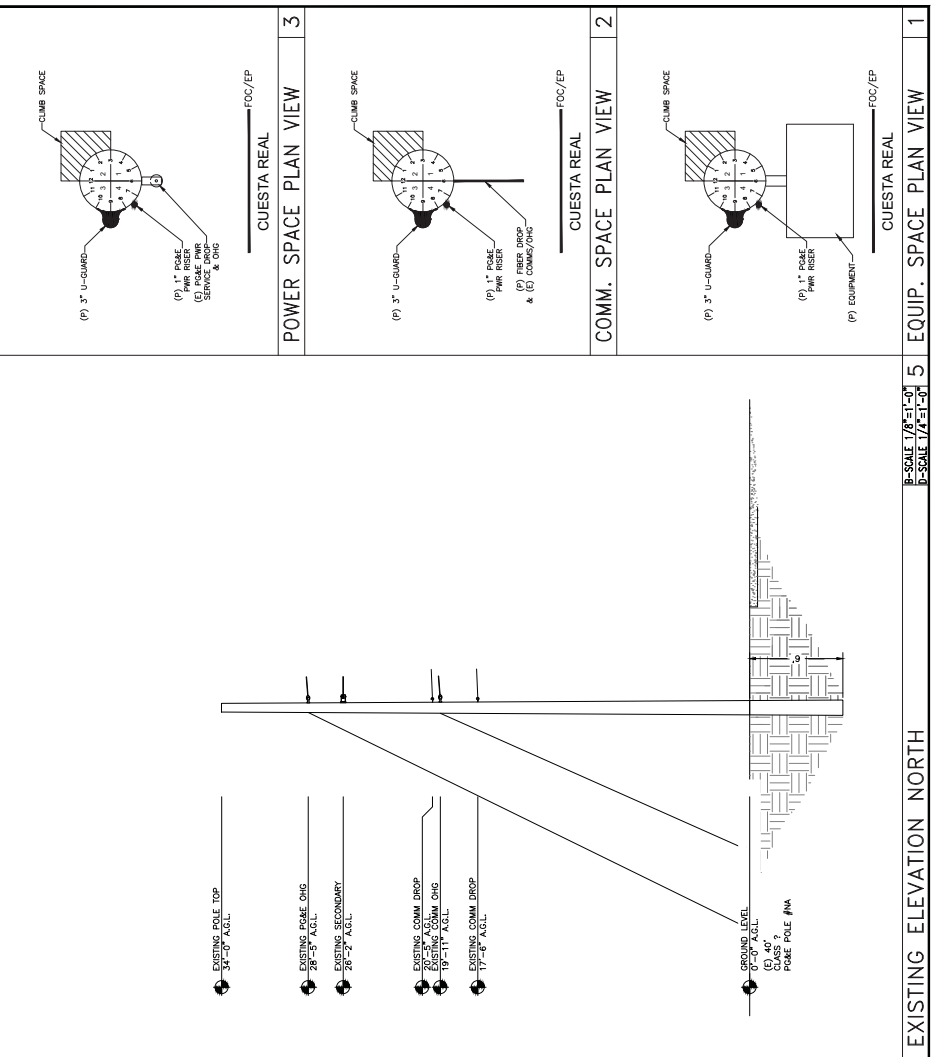
ACI NUMBER: HW8435-061B  
CONSULTANT:

SEAL OF APPROVAL:

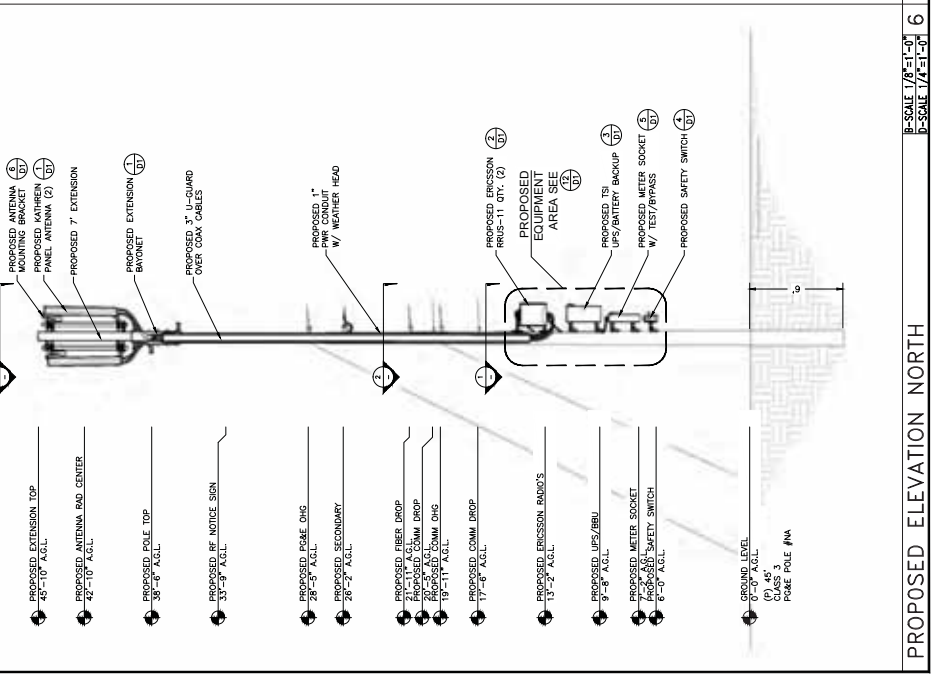
SHEET TITLE: ELEVATIONS & RISER DETAILS

SHEET NUMBER: A2 REVISION: 1  
04/12/14

- COMMUNICATIONS MAKE-READY**
- INSTALL PG&E 1" SCH 80 CONDUIT AT 7:30 POSITION FOR POWER SERVICE.
  - INSTALL 3" SCH 80 U-GUARD AT 9:00 POSITION OVER COAX.
  - INSTALL RADIOS, RBU, METER SOCKET, & SAFETY SWITCH MIN. 4" OFF OF POLE (USING UNISTRUTS) AT 6:00 POSITION.
  - INSTALL CLIMBING PEGS AT 3:00 & 12:00 POSITION, 8'-6" AGL TO COMM ZONE.
- POWER MAKE-READY**
- REPLACE 40' CL2 POLE WITH 45' CL3 POLE.
  - INSTALL POLE TOP EXTENSION.
  - INSTALL (2) PANEL ANTENNAS ON POLE TOP EXTENSION.
  - INSTALL COMBINERS AND (4/A) 1/2" COAX.
  - INSTALL 3" SCH 80 U-GUARD AT 9:00 POSITION OVER COAX.
  - INSTALL PG&E WEATHER HEAD AND 1" SCH 80 CONDUIT AT 7:30 POSITION FOR POWER SERVICE.
  - PROVIDE 120/240 3-WIRE SINGLE PHASE, 100 AMP SERVICE TO 1" PG&E CONDUIT AT 7:30 POSITION TO METER SOCKET FROM P.W. SERVICE DROP 26'-2" AGL.




- MAKE-READY NOTES**
- EXISTING POLE TOP 34'-0" A.G.L.
  - EXISTING POLE CHG 28'-5" A.G.L.
  - EXISTING SECONDARY 26'-2" A.G.L.
  - EXISTING FIBER DROP 21'-11" A.G.L.
  - EXISTING COMM DROP 20'-3" A.G.L.
  - EXISTING COMM CHG 19'-8-11" A.G.L.
  - EXISTING COMM DROP 17'-8" A.G.L.
  - GROUND LEVEL 0'-0" A.G.L. CLASS 3 POLE POLE #NA



**BY: = DATE: = DESCRIPTION: = REV:**

ACI	04/12/14	ANTENNA HEIGHT CHG	1
ACI	02/19/14	ZONING	0
BY	DATE	DESCRIPTION	REV

**PLANS PREPARED BY:**



ACI  
10000 S. 90th Street  
5711 Research Drive  
Canton, MI 48188

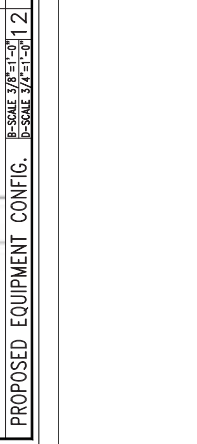
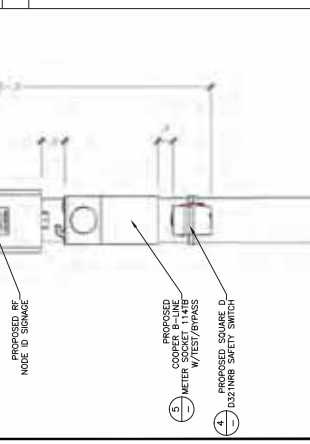
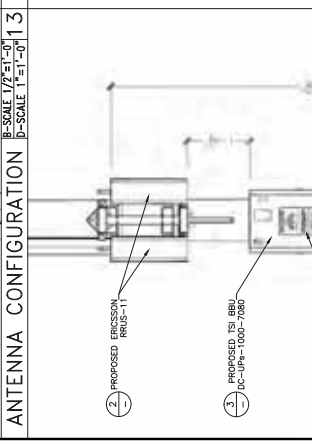
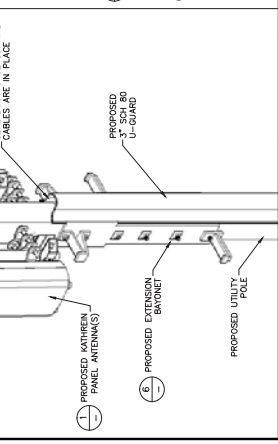
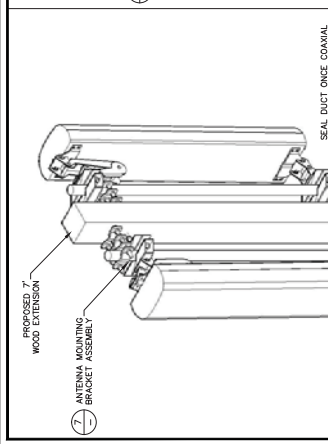
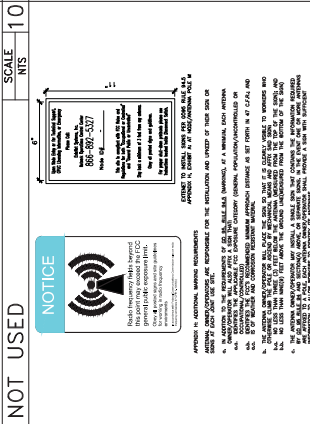
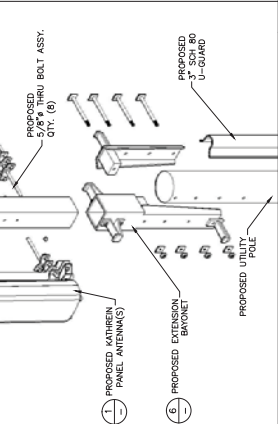
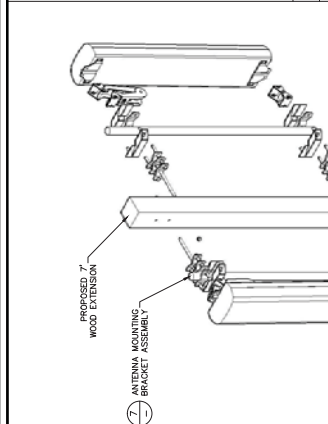
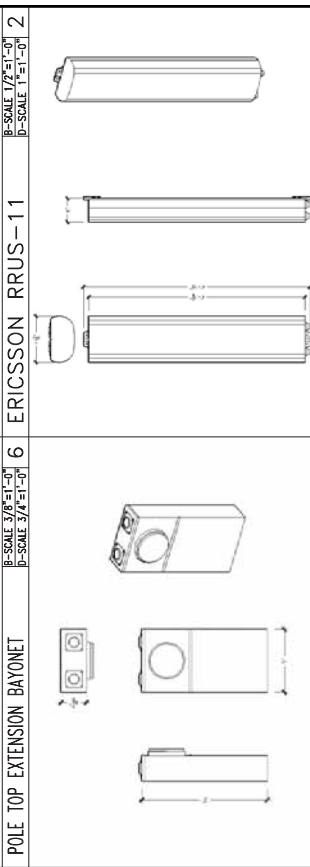
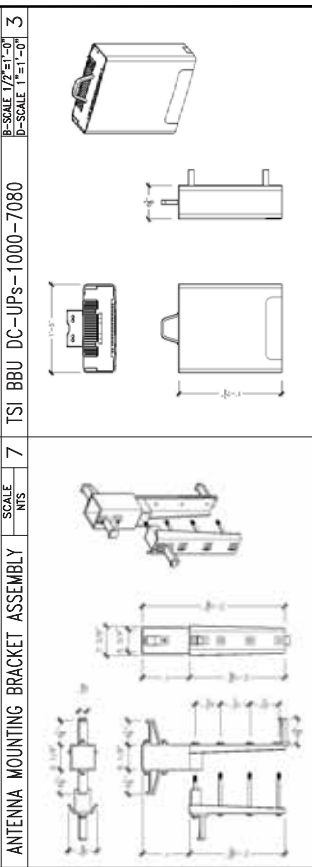
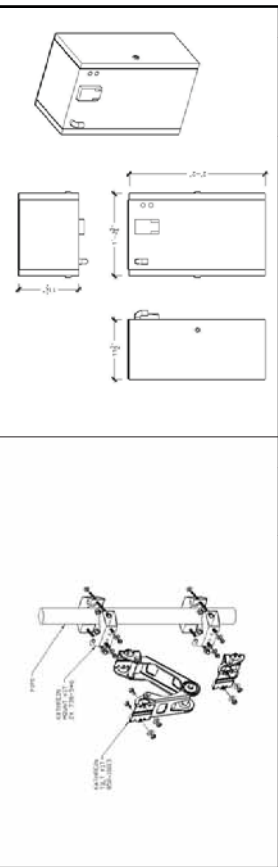
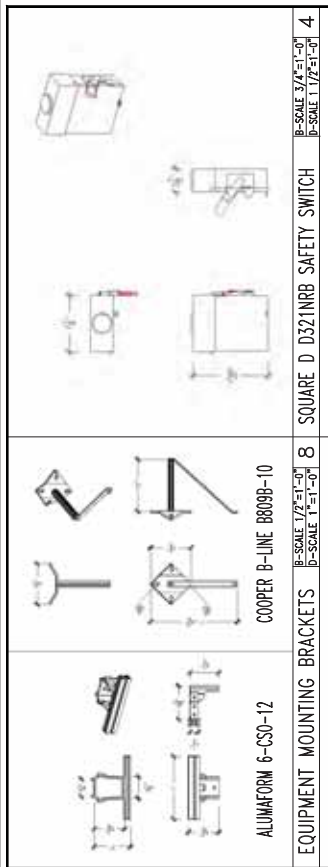
ACI NUMBER: HW8435-061B  
CONSULTANT:

**SEAL OF APPROVAL:**

**SHEET TITLE:**  
EQUIPMENT DETAILS

**SHEET NUMBER:**  
**D1**

**REVISION:**  
1  
04/12/14





---

# **BETH A. MARTIN**

5636 SE Tolman Street, Portland, Oregon 97206

## **APPENDIX C**

### **Tribal Notification**

**PHONE**  
503-780-5450

**EMAIL**  
[bethannemartin@yahoo.com](mailto:bethannemartin@yahoo.com)

**From:** towernotifyinfo@fcc.gov  
**Subject:** NOTICE OF ORGANIZATION(S) WHICH WERE SENT PROPOSED TOWER CONSTRUCTION NOTIFICATION INFORMATION - Email ID #3761449  
**Date:** June 6, 2014 at 12:01 AM  
**To:** bethannemartin@yahoo.com  
**Cc:** Jonathan.Jonas@fcc.gov, diane.dupert@fcc.gov

---

Dear Sir or Madam:

Thank you for using the Federal Communications Commission's (FCC) Tower Construction Notification System (TCNS). The purpose of this electronic mail message is to inform you that the following authorized persons were sent the information you provided through TCNS, which relates to your proposed antenna structure. The information was forwarded by the FCC to authorized TCNS users by electronic mail and/or regular mail (letter).

Persons who have received the information that you provided include leaders or their designees of federally-recognized American Indian Tribes, including Alaska Native Villages (collectively "Tribal Nations"), Native Hawaiian Organizations (NHOs), and State Historic Preservation Officers (SHPOs). For your convenience in identifying the referenced Tribal Nations and NHOs and in making further contacts, the City and State of the Seat of Government for each Tribal Nation and NHO, as well as the designated contact person, is included in the listing below. We note that Tribal Nations may have Section 106 cultural interests in ancestral homelands or other locations that are far removed from their current Seat of Government. Pursuant to the Commission's rules as set forth in the Nationwide Programmatic Agreement for Review of Effects on Historic Properties for Certain Undertakings Approved by the Federal Communications Commission (NPA), all Tribal Nations and NHOs listed below must be afforded a reasonable opportunity to respond to this notification, consistent with the procedures set forth below, unless the proposed construction falls within an exclusion designated by the Tribal Nation or NHO. (NPA, Section IV.F.4).

The information you provided was forwarded to the following Tribal Nations and NHOs. If a Tribal Nation or NHO does not respond within a reasonable time, you should make a reasonable effort at follow-up contact, unless the Tribal Nation or NHO has agreed to different procedures (NPA, Section IV.F.5). In the event a Tribal Nation or NHO does not respond to a follow-up inquiry, or if a substantive or procedural disagreement arises between you and a Tribal Nation or NHO, you must seek guidance from the Commission (NPA, Section IV.G). These procedures are further set forth in the FCC's Declaratory Ruling released on October 6, 2005 (FCC 05-176).

1. Chairperson Catherine Saubel - Los Coyotes Reservation - Warner Springs, CA - electronic mail and regular mail  
Details: If the Applicant receives no response from the Los Coyotes Reservation within 30 days after notification through TCNS, the Los Coyotes Band of Indians has no interest in participating in pre-construction review for the proposed site. The Applicant, however, must immediately notify the Los Coyotes Band of Indians in the event archaeological properties or human remains are discovered during construction, consistent with Section IX of the Nationwide Programmatic Agreement and applicable law.

The information you provided was also forwarded to the following SHPOs in the State in which you propose to construct and neighboring States. The information was provided to these SHPOs as a courtesy for their information and planning. You need make no effort at this time to follow up with any SHPO that does not respond to this notification. Prior to construction, you must provide the SHPO of the State in which you propose to construct (or the Tribal Historic Preservation Officer, if the project will be located on certain Tribal lands), with a Submission Packet pursuant to Section VII.A of the NPA.

2. Deputy SHPO Carol Griffith - Arizona State Parks - Phoenix, AZ - electronic mail

3. Deputy SHPO William Collins - Arizona State Parks - Phoenix, AZ - electronic mail

"Exclusions" above set forth language provided by the Tribal Nation or SHPO. These exclusions may indicate types of PTC wayside pole notifications that the Tribal Nation or SHPO does not wish to review. TCNS automatically forwards all notifications to all Tribal Nations and SHPOs that have an expressed interest in the geographic area of a proposal. However, if a proposal falls within a designated exclusion, you need not expect any response and need not pursue any additional process with that Tribal Nation or SHPO. Exclusions may also set forth policies or procedures of a particular Tribal Nation or SHPO (for example, types of information that a Tribal Nation routinely requests, or a policy that no response within 30 days indicates no interest in participating in pre-construction review).

Please be advised that the FCC cannot guarantee that the contact(s) listed above opened and reviewed an electronic or regular mail notification. The following information relating to the proposed tower was forwarded to the person(s) listed above:

Notification Received: 06/02/2014  
Notification ID: 112039

Notification ID: 112000

Tower Owner Individual or Entity Name: ExteNet Systems  
Consultant Name: Beth A Martin  
Street Address: 5636 SE Tolman Street  
City: Portland  
State: OREGON  
Zip Code: 97206  
Phone: 503-780-5450  
Email: bethannemartin@yahoo.com

Structure Type: UPOLE - Utility Pole/Tower used to provide service (Electric, Telephone, etc)

Latitude: 37 deg 19 min 20.9 sec N

Longitude: 122 deg 16 min 14.4 sec W

Location Description: 170 Cuesta Real

City: La Honda

State: CALIFORNIA

County: SAN MATEO

Detailed Description of Project: Replacement of a 34' wooden utility pole with a 45'10" wooded utility pole. All equipment will be placed on the utility pole.

Ground Elevation: 172.5 meters

Support Structure: 14.0 meters above ground level

Overall Structure: 14.0 meters above ground level

Overall Height AMSL: 186.5 meters above mean sea level

If you have any questions or comments regarding this notice, please contact the FCC using the electronic mail form located on the FCC's website at:

<http://wireless.fcc.gov/outreach/notification/contact-fcc.html>.

You may also call the FCC Support Center at (877) 480-3201 (TTY 717-338-2824). Hours are from 8 a.m. to 7:00 p.m. Eastern Time, Monday through Friday (except Federal holidays). To provide quality service and ensure security, all telephone calls are recorded.

Thank you,  
Federal Communications Commission



# **BETH A. MARTIN**

5636 SE Tolman Street, Portland, Oregon 97206

## **APPENDIX A**

### **FEMA and Wetland Maps**

**PHONE**  
503-780-5450

**EMAIL**  
[bethannemartin@yahoo.com](mailto:bethannemartin@yahoo.com)

MAP SCALE 1" = 500'



**NATIONAL FLOOD INSURANCE PROGRAM**

**FIRM**  
**FLOOD INSURANCE RATE MAP**  
**SAN MATEO COUNTY,**  
**CALIFORNIA**  
**AND INCORPORATED AREAS**

**PANEL 384 OF 510**  
 (SEE MAP INDEX FOR FIRM PANEL LAYOUT)

CONTAINS:  
 COMMUNITY: SAN MATEO COUNTY  
 NUMBER: 990311  
 PANEL: 0384  
 SUFFIX: E

MAP NUMBER: 06081C0384E  
 EFFECTIVE DATE: OCTOBER 16, 2012

Federal Emergency Management Agency



Notice to User: The Map Number shown below should be used when placing map orders. The Community Number shown below should not be used as an insurance application for the subject community.

This is an official copy of a portion of the above referenced flood map. It was extracted using F-MIT On-Line. This map does not reflect changes or amendments which may have been made subsequent to the date on the title block. For the latest product information about National Flood Insurance Program flood maps check the FEMA Flood Map Store at [www.msc.fema.gov](http://www.msc.fema.gov)



Subject Property



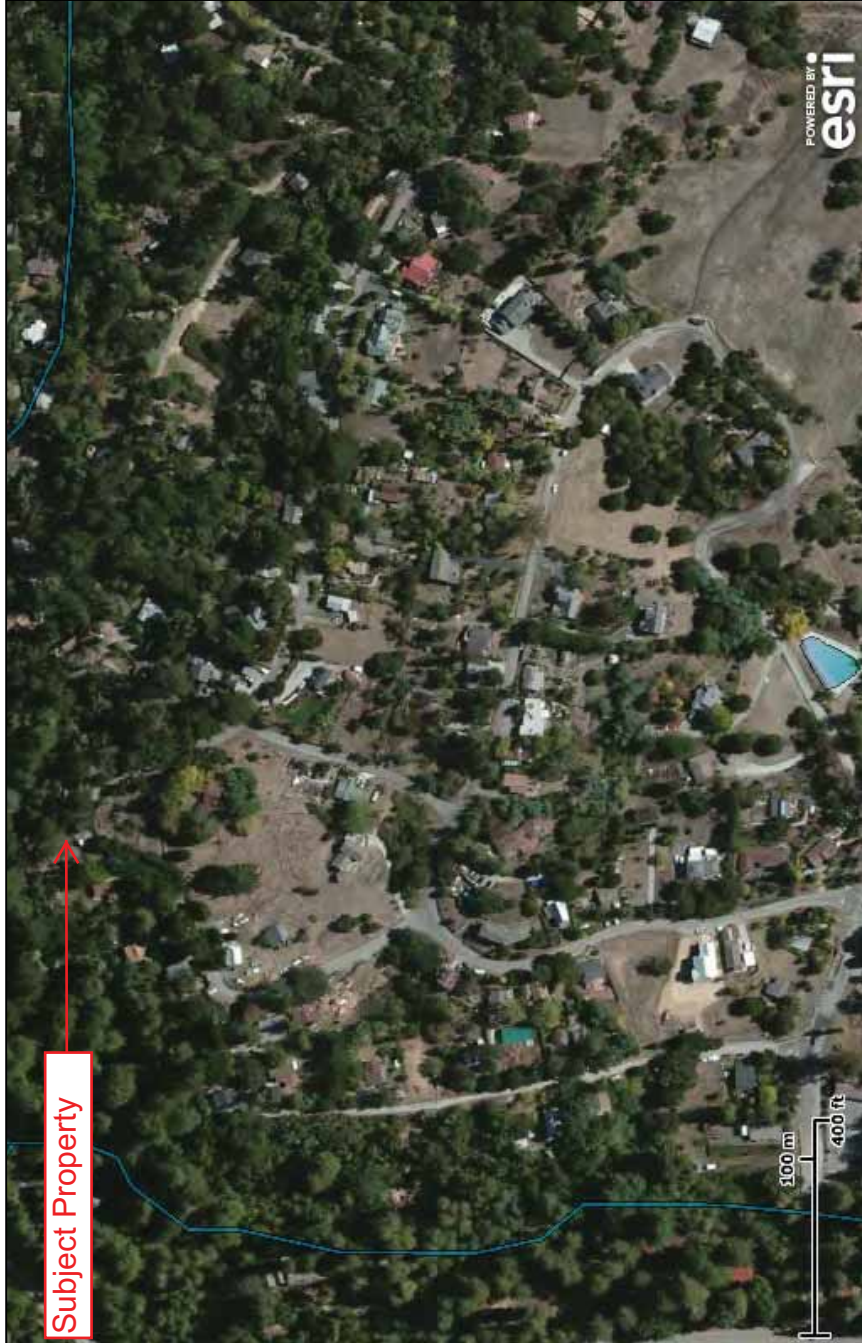


U.S. Fish and Wildlife Service

# National Wetlands Inventory

HWY8435-061B

Jul 6, 2014



## Wetlands

- Freshwater Emergent
- Freshwater Forested/Shrub
- Estuarine and Marine Deepwater
- Estuarine and Marine
- Freshwater Pond
- Lake
- Riverine
- Other

This map is for general reference only. The US Fish and Wildlife Service is not responsible for the accuracy or currentness of the base data shown on this map. All wetlands related data should be used in accordance with the layer metadata found on the Wetlands Mapper web site.

User Remarks:



# EXTENET LA HONDA NODE 48A & 61B ALTERNATIVE SITE ANALYSES

*Ncbing < YUf]b[ 'CZ]Wf Meeting*

**PLN 2014-00396**

Case

**F**

Attachment

## MAP OF NODES 48A, 61B, SEARS RANCH MACRO & 2.5 MILE RADIUS



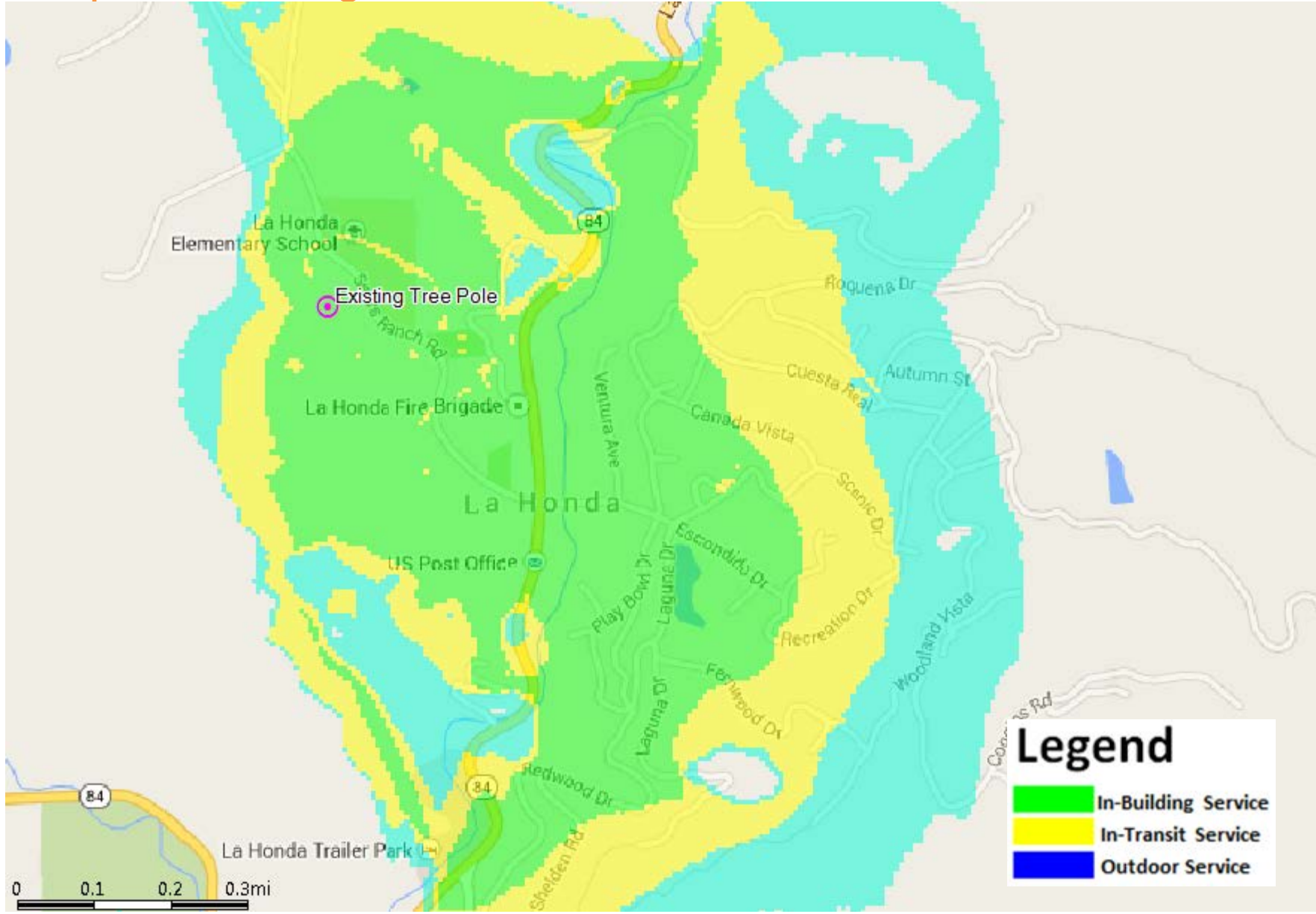
- This map depicts the ExteNet proposed Nodes 48A and 61B in relation to the Sears Ranch Road macro antenna Farm location – which is the only tower site within a 2.5 mile radius (displayed above in the red circle).
- We searched for existing towers that might be viable for co-location of our facilities by personally investigating the area and by searching on the FCC’s website listing registered antenna structures (<http://wireless2.fcc.gov>).

# ALTERNATIVE SEARS RANCH ROAD ANTENNA FARM

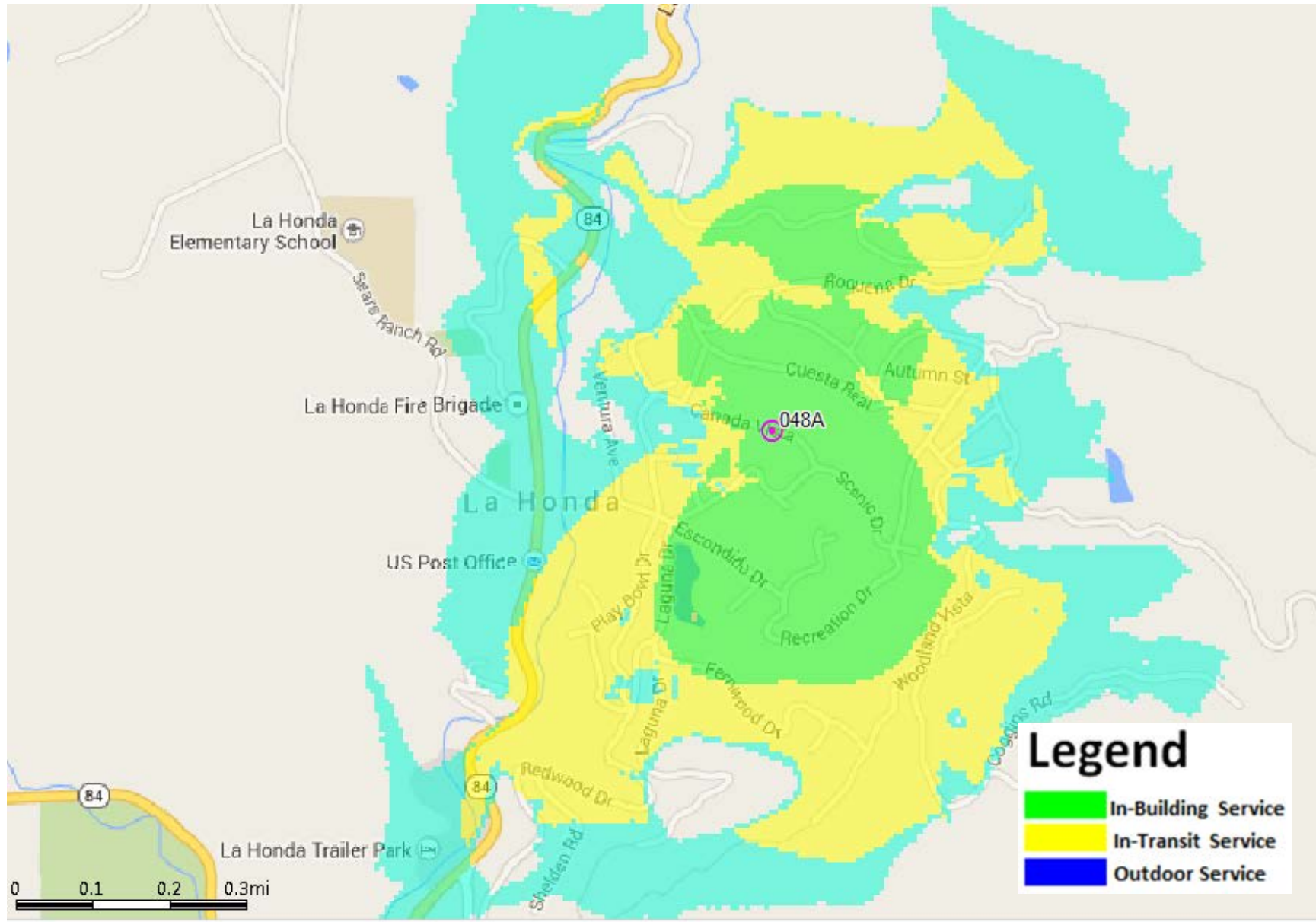


- ExteNet's objective is to provide AT&T 3G and 4G wireless coverage and capacity to the La Honda area as depicted in the following Node 48A and 61B propagation slides.
- A monopole designed to look like a pine tree (a "monopine") is located at about 155 Sears Ranch Road (latitude 37.322616, longitude -122.279332).
- Placing an ExteNet wireless facility here is not viable to fill the significant gaps in coverage that would otherwise be filled by Nodes 48A and 61B.
- Placing an ExteNet wireless facility here is too far away from the intended coverage area and would result in a signal that is otherwise blocked by trees and terrain, leaving significant coverage gaps.
- The following slides depict projected coverage from the Sears Ranch site and associated coverage gaps that would result, compared with projected coverage from Nodes 48A and 61B.
- This is the only tower site within a 2.5 mile radius of ExteNet's proposed Nodes 48A and 61B.

# Map of Coverage from Sears Ranch Alternative Location

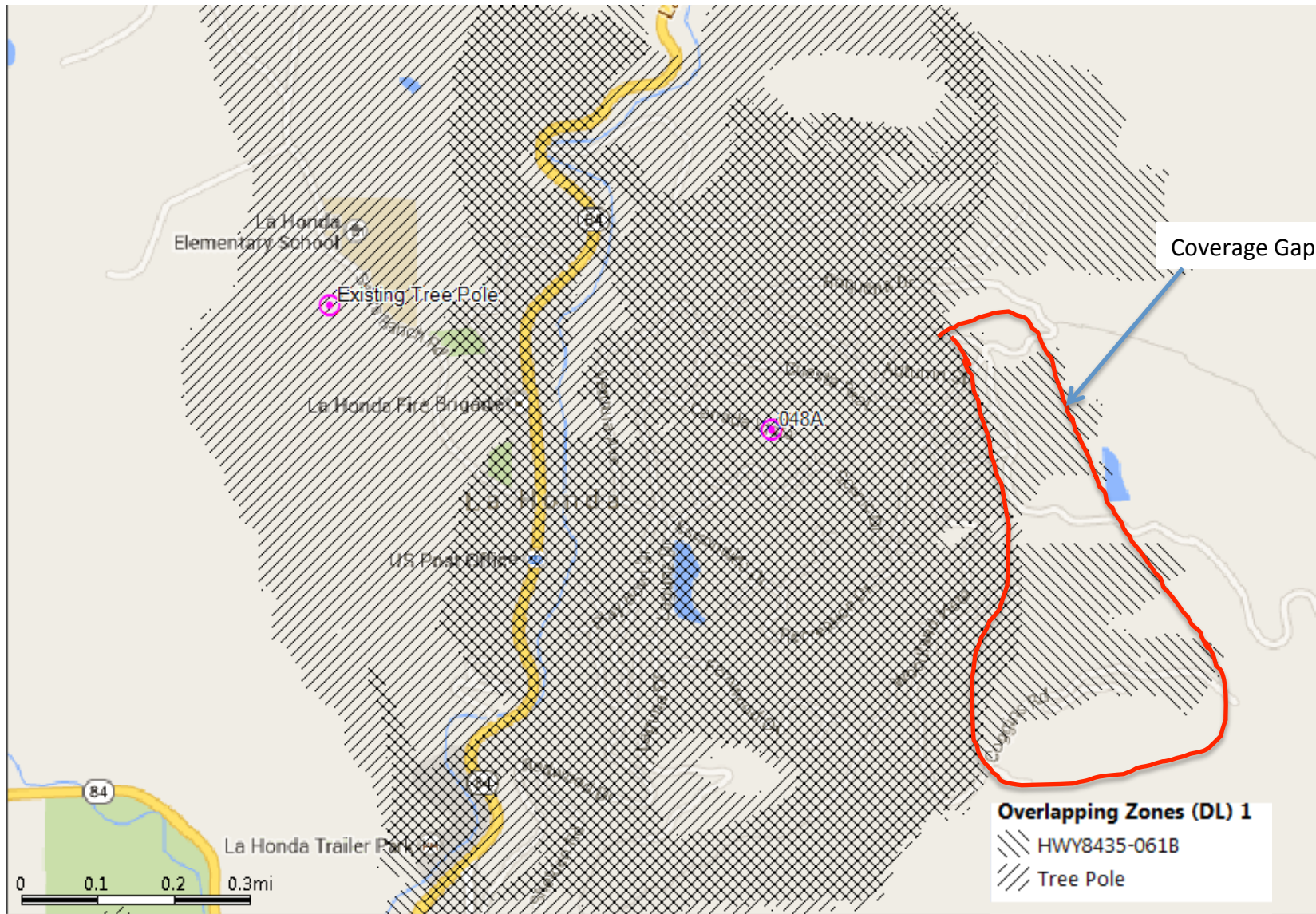


# Map of Proposed Coverage from Node 48A



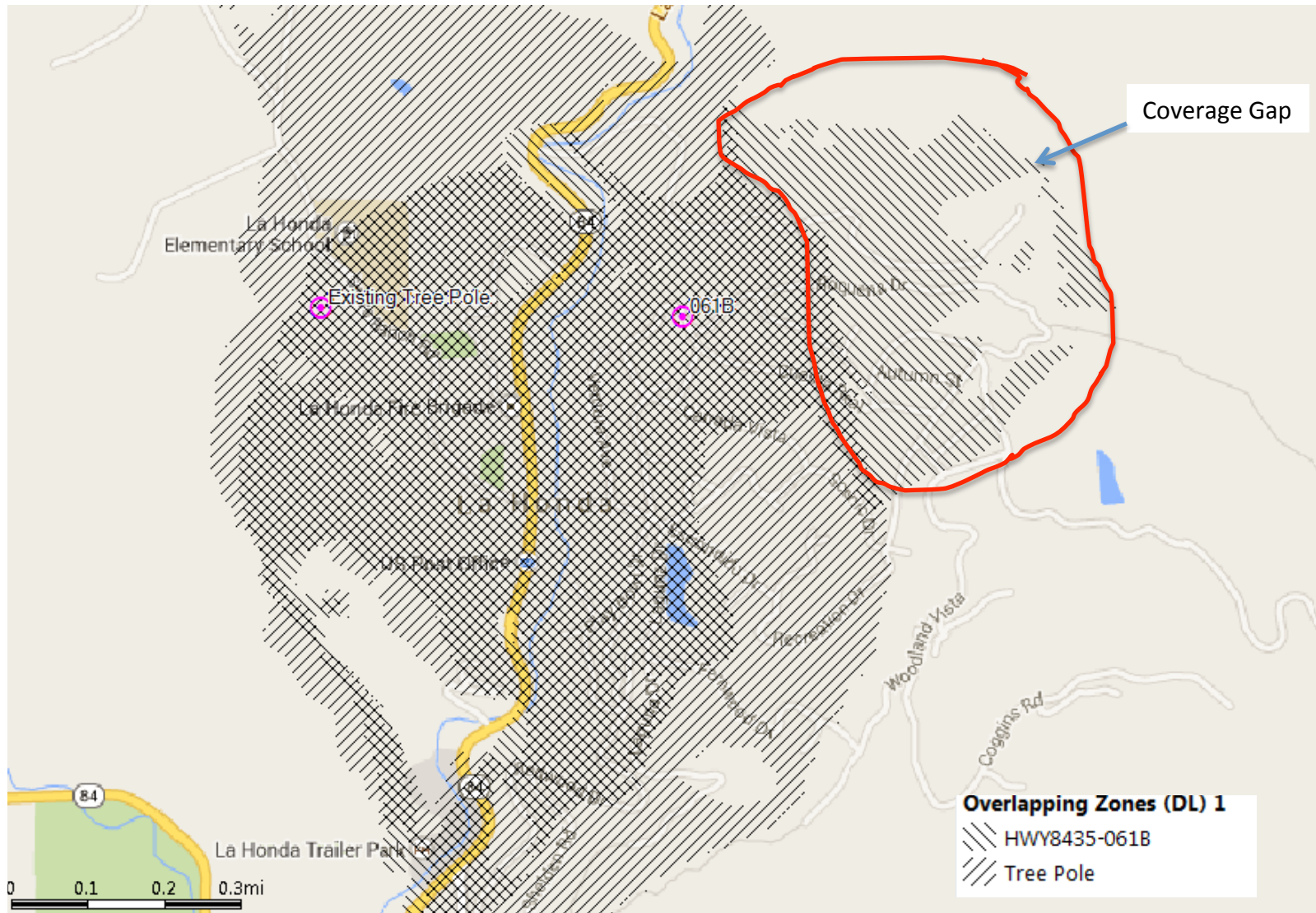


# Map of Coverage from both Sears Ranch & Node 48A Identifying Associated Sears Ranch Coverage Gap





# Map of Coverage from both Sears Ranch & Node 61B Identifying Associated Sears Ranch Coverage Gap



## MAP OF ALTERNATIVE POLES EVALUATED FOR NODE 48A



- This map depicts ExteNet’s proposed Node 48A in relation to other poles in the area that were evaluated as possibly being viable alternative candidates.
- The following is an analysis of each of those alternative locations: 48B, 48C and 48D.

## ALTERNATIVE NODE 48B



- **Node 48B is at a joint utility pole at the northeast corner of 150 Canada Vista (37.320390, -122.269284), just west of the primary candidate 48A.**
- **This pole is not a viable alternative candidate because the existing transformer on the pole would need to be relocated to an uncertain destination in order to facilitate our proposed wireless installation.**
- **Furthermore this pole is located much closer to a residence and is therefore more intrusive of an alternative.**

## ALTERNATIVE NODE 48C



- **Node 48C is at a joint utility pole at about 190 Canada Vista (37.320094, -122.268048), just east of the primary candidate 48A.**
- **This pole is not a viable alternative candidate because the existing power riser on the pole prevents us from installing a wireless facility, pursuant to CPUC General Order 95.**

## ALTERNATIVE NODE 48D



- **Node 48D is at a joint utility pole at about 185 Canada Vista (37.319710, -122.267761), just southeast of candidate 48C.**
- **This pole is not a viable alternative candidate because there is already a PG&E wireless facility on this pole, blocking the space needed for installation of ExteNet's proposed facility.**

## MAP OF ALTERNATIVE POLES EVALUATED FOR NODE 61B



- T
- pc
- T

## ALTERNATIVE NODE 61A



- Node 61A is at a joint utility pole near 126 Cuesta Real (37.322732, -122.271018), just northwest of the primary candidate 61B.
- This pole was originally selected to host ExteNet's wireless facility but was eventually ruled out because cross lines and cross arms prevent adequate climbing space on the pole pursuant to CPUC General Order 95, thus prohibiting a wireless facility from being installed at this location.

# ALTERNATIVE NODE 61C



- **Node 61C is at a joint utility pole near 205 Cuesta Real (37.322458, -122.270729), just across the street from the primary candidate 61B.**
- **This pole is not a viable alternative candidate because the existing transformer on the pole would need to be relocated to an uncertain destination in order to facilitate our proposed wireless installation.**



# ALTERNATIVE NODE 61D



- **Node 61D is at a joint utility pole near 126 Cuesta Real (37.322541, -122.271191), just southwest of candidate 61A.**
- **This pole is not a viable alternative candidate because the existing transformer on the pole would need to be relocated to an uncertain destination in order to facilitate our proposed wireless installation**

# ALTERNATIVE SITE ANALYSIS CONCLUSION

**Based on ExteNet's analysis of alternative sites, the currently proposed Nodes 48A and 61B are the least intrusive locations from which to fill the surrounding significant wireless coverage gaps.**



**extenet**<sup>SM</sup>  
**SYSTEMS**

**Thank You!**